

THIS DRAWING IS UNPUBLISHED.

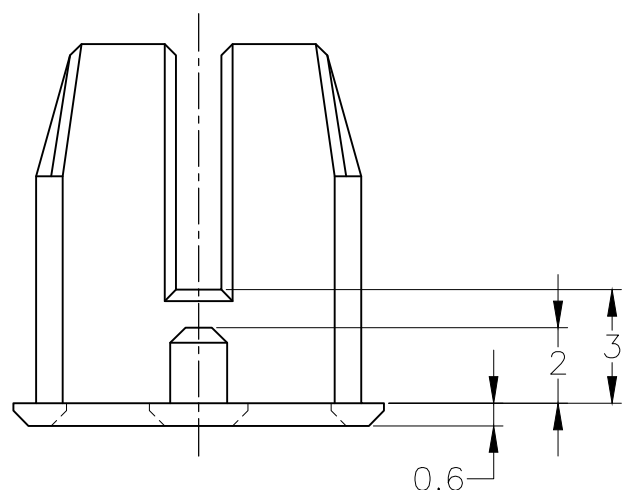
RELEASED FOR PUBLICATION

ALL RIGHTS RESERVED.

© COPYRIGHT - By -

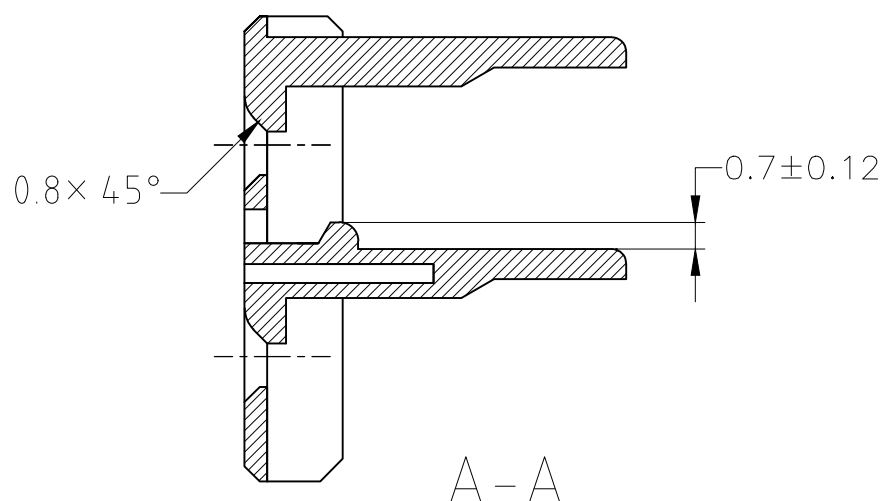
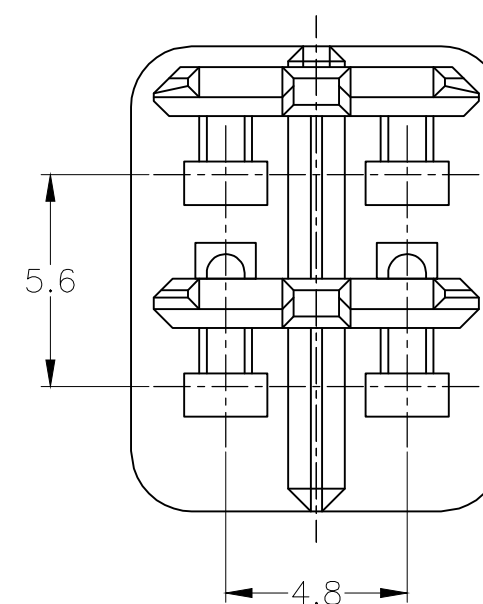
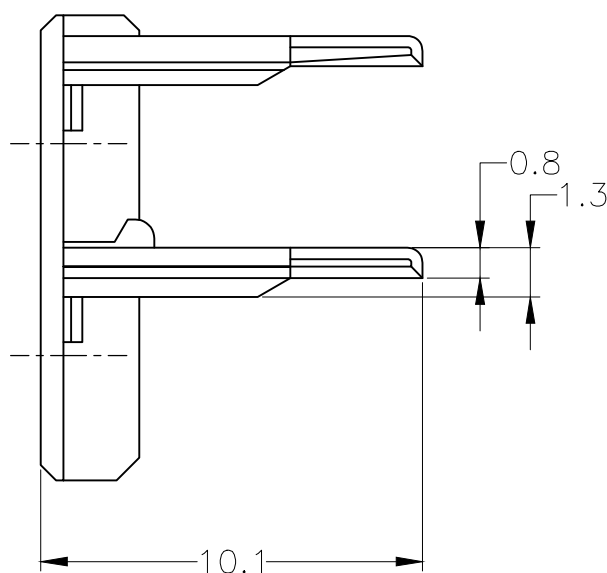
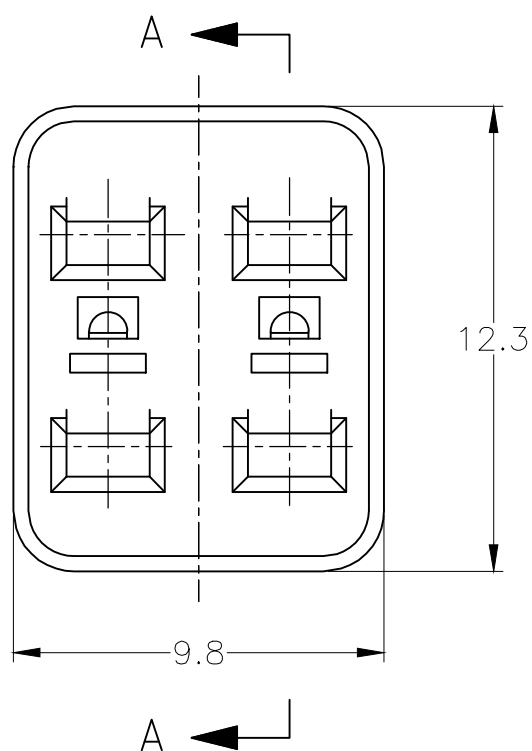
REVISIONS

P	LTR	DESCRIPTION	DATE	DWN	APVD
	B5	REVISED	ECR-18-009736	22JUN2018	TS HY



1. 本品はプラグハウジング型番174257及び2822391に装着される

1. TO BE MATES WITH CAP HOUSING PART NUMBER 174257 AND 2822391



HB	自然色 (NATURAL)	1-174258-1
V-2	黄 (YELLOW)	174258-7
使用材料難燃グレード (FLAMMABILITY OF MATERIAL)	色 (COLOR)	型番 (PART NUMBER)

THIS DRAWING IS A CONTROLLED DOCUMENT.

DIMENSIONS: mm	TOLERANCES UNLESS OTHERWISE SPECIFIED:
	0 PLC ± -
	1 PLC ± -
	2 PLC ± -
	3 PLC ± -
	4 PLC ± -
	ANGLES ± -
	FINISH -

一般公差 (GENERAL TOLERANCE)	
10以下	±0.2
10を超え 30以下	±0.25
30を超え 100以下	±0.3
角 度	±3°

MATERIAL SEE TABLE

DWN	T.SHINOHARA	01SEP10
CHK	K.BETSUI	01SEP10
APVD	K.BETSUI	01SEP10
PRODUCT SPEC	108-5262	
APPLICATION SPEC	-	
WEIGHT	0.3 g	



4POSITION ECONOSEAL J MK-II+ CONNECTOR  
DOUBLE LOCK PLATE FOR PLUG HOUSING

SIZE	CAGE CODE	DRAWING NO	RESTRICTED TO
A3	00779	C-174258	-

CUSTOMER DRAWING SCALE 5:1 SHEET 1 OF 1 REV B5