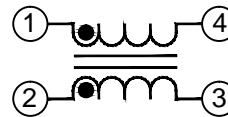
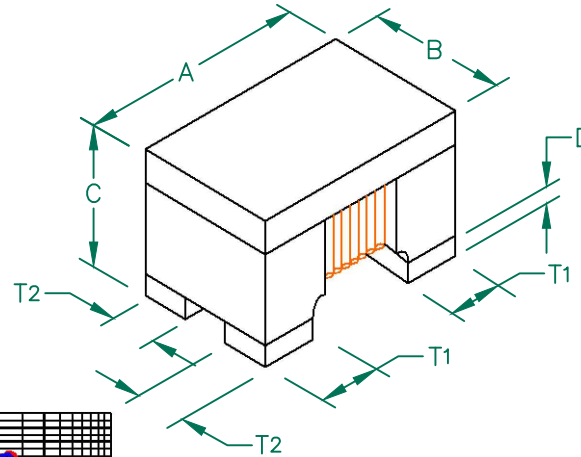


# CM1206C161R-10

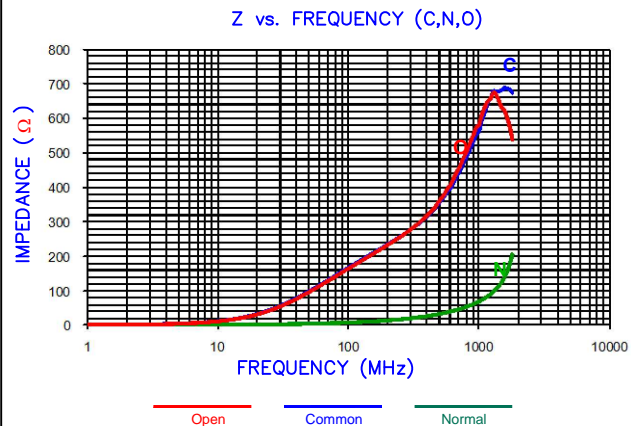
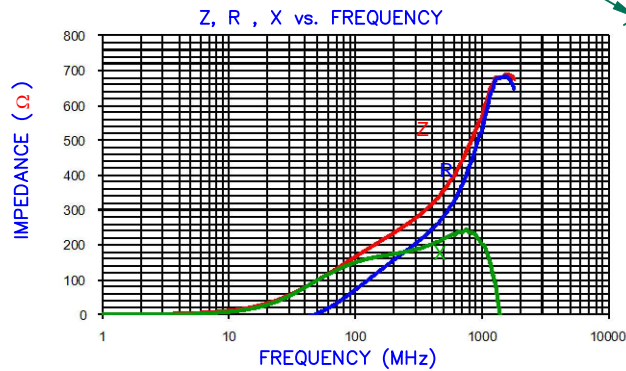
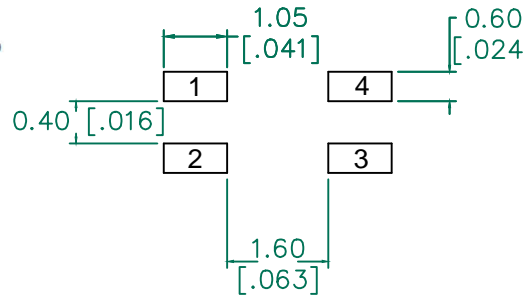
## PHYSICAL DIMENSIONS:

A	3.20 [.126]	+ 0.20 [.008]
B	1.60 [.063]	+ 0.20 [.008]
C	1.80 [.071]	+ 0.20 [.008]
D	0.15 [.006]	+ 0.10 [.004]

T1	0.60 [.024]	+ 0.10 [.004]
T2	0.60 [.024]	+ 0.10 [.004]



## LAND PATTERNS FOR REFLOW SOLDERING

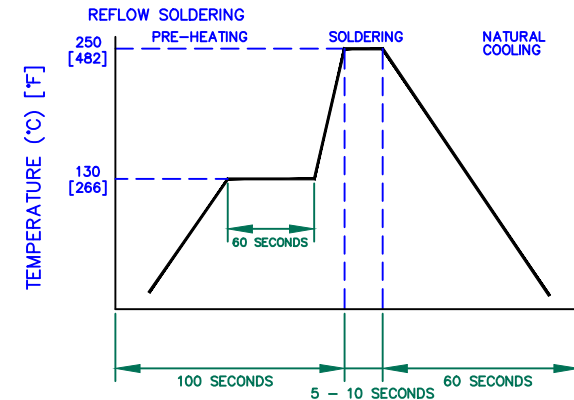


Electrical Characteristics	Nominal	Min	Max
Common Mode Impedance @ 100MHz (Ω)	160	120	200
DCR (Ω)	-	-	0.40
Rated Current (mA)	-	-	340

## NOTES: UNLESS OTHERWISE SPECIFIED

1. TAPED AND REELED per CURRENT EIA SPECIFICATIONS 7" REELS, EMBOSSED PLASTIC TAPE 2,000 PCS/REEL.
2. TERMINATION FINISH 100% MATTE TIN.
3. COMPONENTS SHOULD BE ADEQUATELY PREHEATED BEFORE SOLDERING.
4. COSMETIC SPECIFICATION REFER TO WI-QA-124.

## RECOMMENDED SOLDERING CONDITIONS



DIMENSIONS ARE IN mm [INCHES].				This print is the property of Laird Tech. and is loaned in confidence subject to return upon request and with the understanding that no copies shall be made without the written consent of Laird Tech. All rights to design or invention are reserved.		<b>Laird</b>	
PROJECT/PART NUMBER:				REV	PART TYPE:	DRAWN BY:	
CM1206C161R-10				A	CM CHOKE	YUKI	
DATE: 03/01/11				SCALE: NTS		MATERIAL:	
A ORIGINAL DRAFT 03/01/11 YUKI				CAD #		TOOL #	
REV	DESCRIPTION	DATE	INT	CM1206C161R-10-A	-		1 of 1