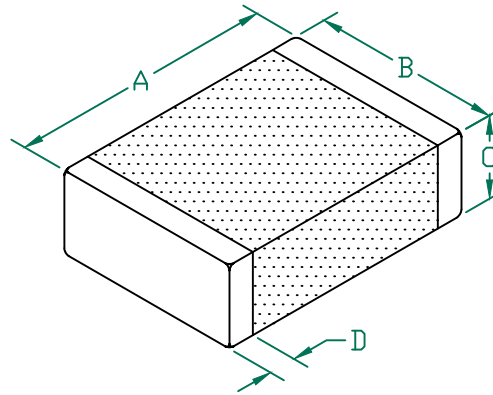


# HI1812V101R-10

## PHYSICAL DIMENSIONS:

A	4.50 [.177]	+ 0.25 [.010]
B	3.20 [.126]	+ 0.25 [.010]
C	2.30 [.091]	+ 0.25 [.010]
D	0.65 [.026]	+ 0.45 [.018]

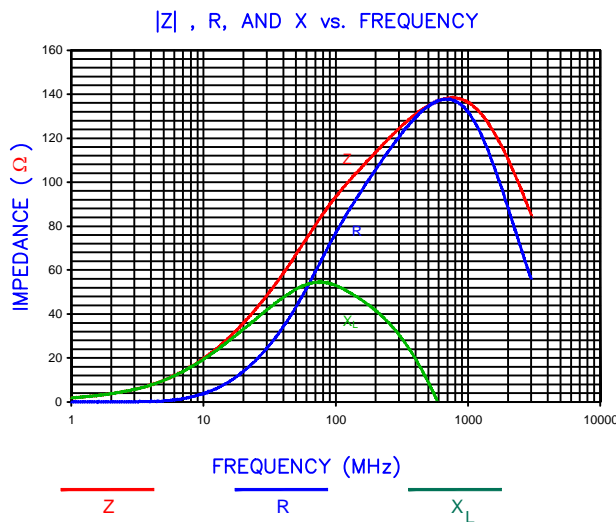
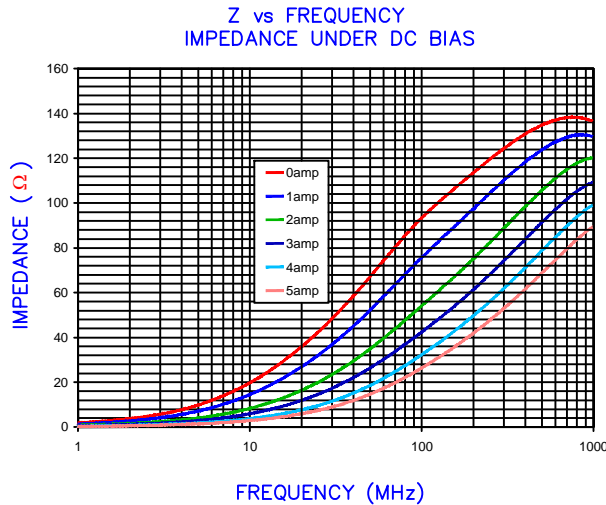


## ELECTRICAL CHARACTERISTICS:

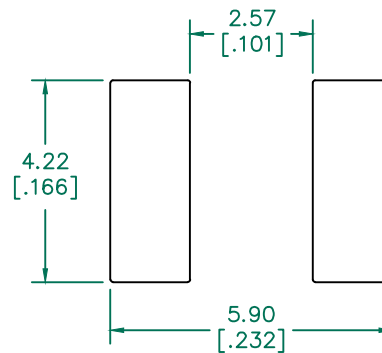
Z @ 100MHz (Ω)	DCR (Ω)	Rated Current
Nominal	100	
Minimum	75	
Maximum	125	0.007
		8000 mA

## NOTES: UNLESS OTHERWISE SPECIFIED

1. TAPED AND REELED per CURRENT EIA SPECIFICATIONS 13" REELS, 2500 PCS/REEL.
2. TERMINATION FINISH IS 100% TIN.
3. COMPONENTS SHOULD BE ADEQUATELY PREHEATED BEFORE SOLDERING.
4. OPERATEING TEMPERATURE TEMP: -40°C~+125°C (INCLUDING SELF-HEATING)

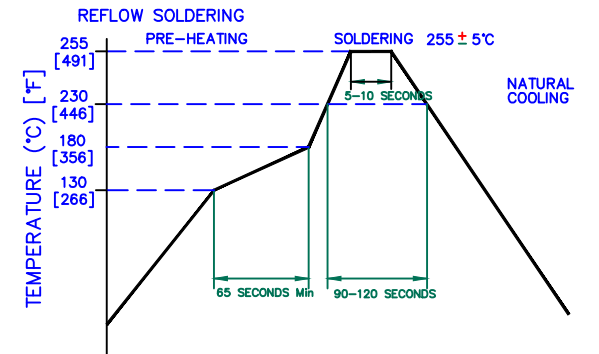


## LAND PATTERNS FOR REFLOW SOLDERING



(For wave soldering, add 0.762 [.030] to this dimension)

## RECOMMENDED SOLDERING CONDITIONS



RoHS

DIMENSIONS ARE IN mm [INCHES].				This print is the property of Laird Tech. and is loaned in confidence subject to return upon request and with the understanding that no copies shall be made without the written consent of Laird Tech. All rights to design or invention are reserved.		<b>Laird</b>	
D	ADD OPERATING TEMPERATURE UPDATE LAIRD LOGO AND REFLOW CURVE	08/05/13	QU	PROJECT/PART NUMBER:	REV	PART TYPE:	DRAWN BY:
C	UPDATE THE DCR AND D	11/06/09	JUN	HI1812V101R-10	D	CO-FIRE	TMB
B	UPDATE COMPANY LOGO, ADD ROHS SYMBOL	01/23/08	JRK	DATE:	SCALE:	SHEET:	
A	ORIGINAL DRAFT	04/02/04	TMB	04/02/04	-	-	1 of 1
REV	DESCRIPTION	DATE	INT	GAD #	TOOL #		
				HI1812V101R-10-D			