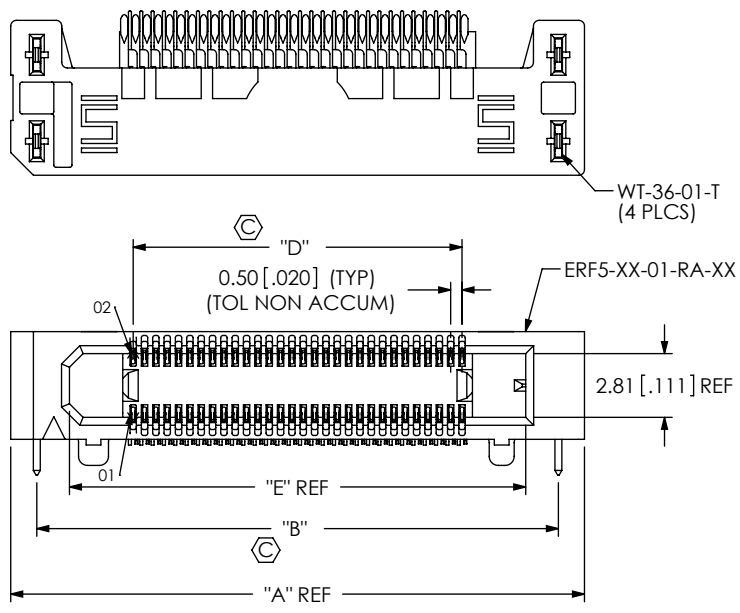


DO NOT  
SCALE FROM  
THIS PRINT



No OF POSITIONS  
(PER ROW)  
-010, -020,  
-030, -040, -050

LEAD STYLE  
-01

PACKAGING  
-TR: TAPE & REEL  
(SEE NOTE 3)

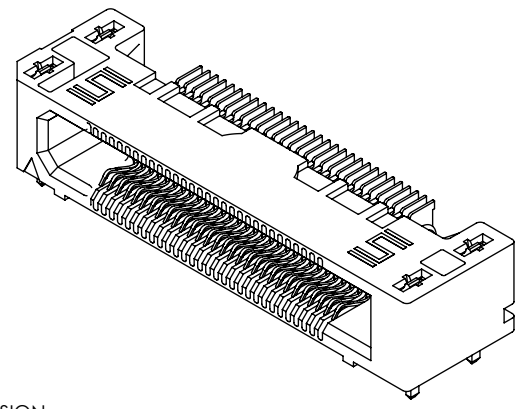
OPTION  
\*-FL: FRICTION LOCK  
(ONLY AVAILABLE UP TO 30 POSITIONS  
(FOR MATING WITH ERM5...DV...-FL)

PLATING SPECIFICATION  
-L: 10µ" SELECTIVE GOLD IN CONTACT AREA  
MATTE TIN ON TAIL  
(USE C-291-01-L & C292-01-L)  
-S: 30µ" SELECTIVE GOLD IN CONTACT AREA  
MATTE TIN ON TAIL  
(USE C-291-01-S & C-292-01-S)

-RA: RIGHT ANGLE

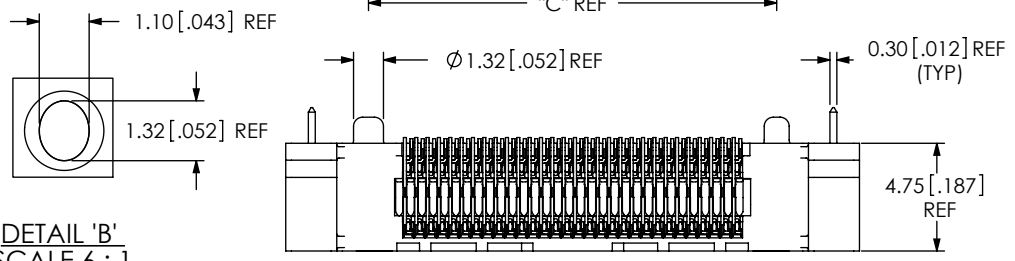
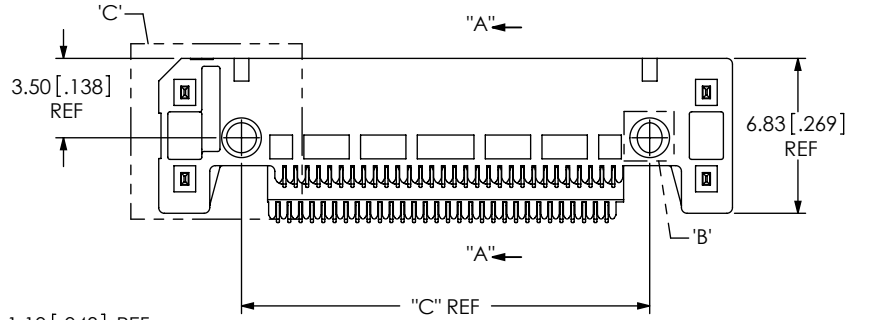
ROW SPECIFICATION  
-D: DOUBLE

(\* = NOT TOOLED)



NOTES:

1. Ⓢ REPRESENTS A CRITICAL DIMENSION.
2. MINIMUM PUSHOUT FORCE: 1.6N [0.36 Lb].
3. FOR QUANTITIES UP TO 49 PIECES, NO LEADER, TRAILER, OR EIA-481 REEL WILL BE SUPPLIED. FOR QUANTITIES 50-124, NO LEADER, TRAILER OR EIA-481 REEL WILL BE SUPPLIED



DETAIL 'B'  
SCALE 6 : 1

**TABLE 1**

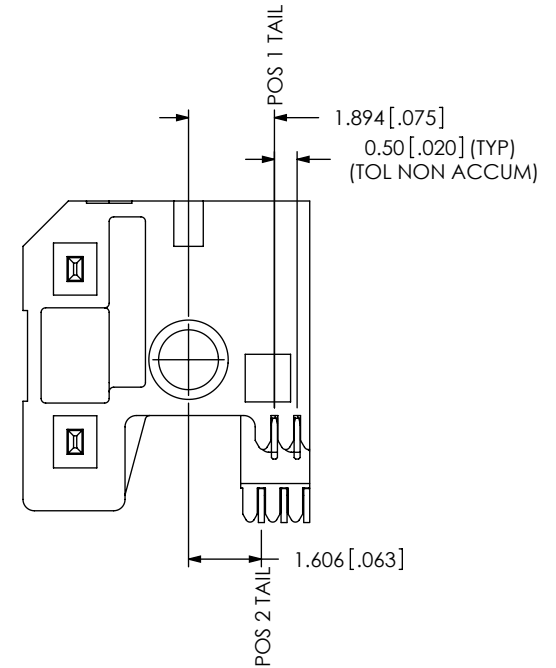
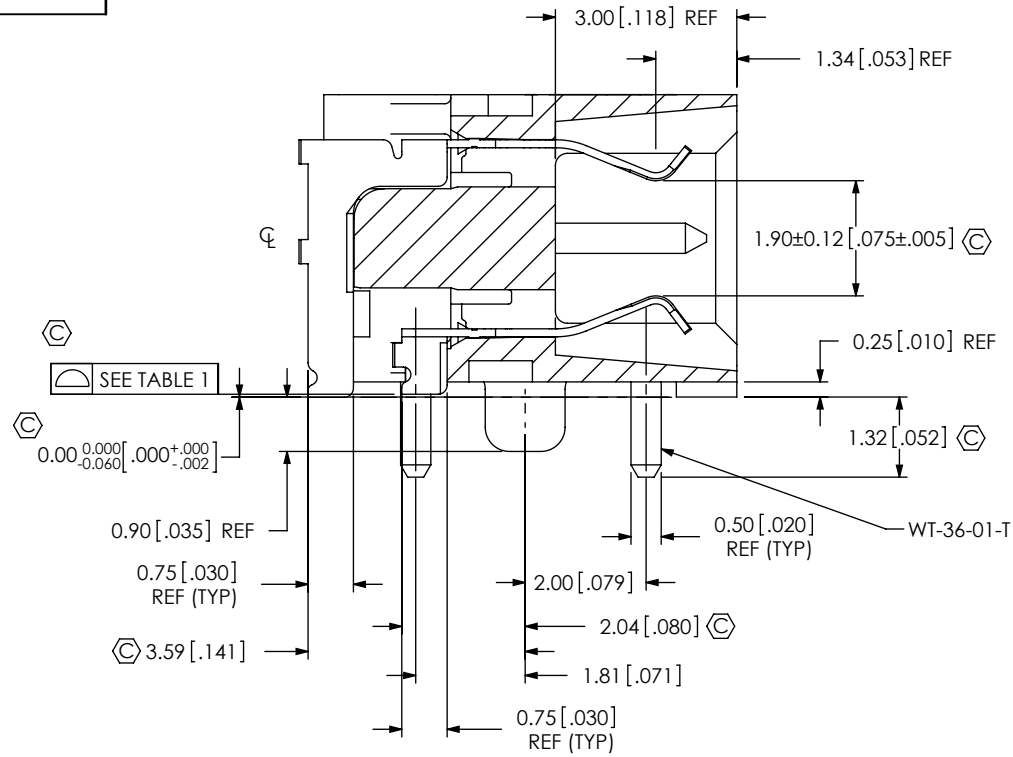
No. OF POS.	
-010, -020, -030, -040	0.10 [.004]
-050	0.13 [.005]

**TABLE 2**

POSITION	"A"	"B"	"C"	"D"	"E"
-010	15.30 [0.602]	13.00 [0.512]	8.00 [0.315]	4.50 [0.177]	10.12 [0.398]
-020	20.30 [0.799]	18.00 [0.709]	13.00 [0.512]	9.50 [0.374]	15.12 [0.595]
-030	25.30 [0.996]	23.00 [0.906]	18.00 [0.709]	14.50 [0.571]	20.12 [0.792]
-040	30.30 [1.193]	28.00 [1.102]	23.00 [0.906]	19.50 [0.768]	25.12 [0.989]
-050	35.30 [1.390]	33.00 [1.299]	28.00 [1.102]	24.50 [0.965]	30.12 [1.186]

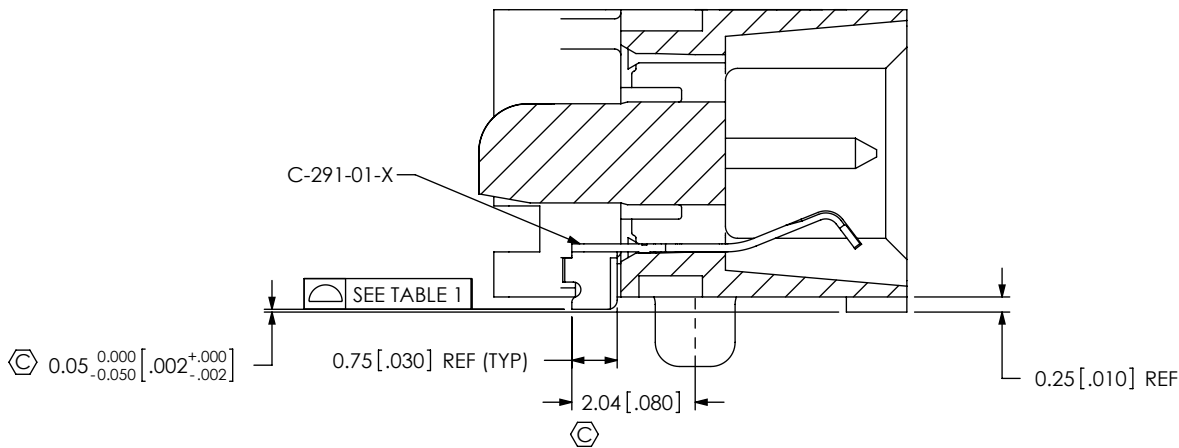
FIG 1  
(ERF5-030-01-X-D-RA-XX-TR SHOWN)

<p>UNLESS OTHERWISE SPECIFIED, DIMENSIONS ARE IN MILLIMETERS [INCHES]. TOLERANCES ARE: DECIMALS ANGLES X.X: ±0.3 [01] X.XX: ±0.13 [.005] X.XXX: ±0.050 [.0020]</p>	<p>PROPRIETARY NOTE THIS DOCUMENT CONTAINS CONFIDENTIAL AND PROPRIETARY INFORMATION AND ALL DESIGN, MANUFACTURING, REPRODUCTION, USE, PATENT RIGHTS AND SALES RIGHTS ARE EXPRESSLY RESERVED BY SAMTEC, INC. THIS DOCUMENT SHALL NOT BE DISCLOSED, IN WHOLE OR PART, TO ANY UNAUTHORIZED PERSON OR ENTITY NOR REPRODUCED, TRANSFERRED OR INCORPORATED IN ANY OTHER PROJECT IN ANY MANNER WITHOUT THE EXPRESS WRITTEN CONSENT OF SAMTEC, INC.</p>	<p>520 PARK EAST BLVD. NEW ALBANY, IN 47150 PHONE: 812-944-6733 FAX: 812-948-5047 e-Mail info@SAMTEC.com code 55322</p>



DETAIL 'C'  
SCALE 6 : 1

SECTION "A"-"A"  
SCALE 8 : 1



IN PROCESS 1  
(FILL C-291-01-X)

**PROPRIETARY NOTE**  
THIS DOCUMENT CONTAINS CONFIDENTIAL AND PROPRIETARY INFORMATION AND ALL DESIGN, MANUFACTURING, REPRODUCTION, USE, PATENT RIGHTS AND SALES RIGHTS ARE EXPRESSLY RESERVED BY SAMTEC, INC. THIS DOCUMENT SHALL NOT BE DISCLOSED, IN WHOLE OR PART, TO ANY UNAUTHORIZED PERSON OR ENTITY NOR REPRODUCED, TRANSFERRED OR INCORPORATED IN ANY OTHER PROJECT IN ANY MANNER WITHOUT THE EXPRESS WRITTEN CONSENT OF SAMTEC, INC.

DO NOT SCALE DRAWING

SHEET SCALE: 2:1



520 PARK EAST BLVD, NEW ALBANY, IN 47150  
PHONE: 812-944-6733 FAX: 812-948-5047  
e-Mail info@SAMTEC.com code 55322

DESCRIPTION:  
0.5 MM EDGE RATE SOCKET ASSEMBLY

DWG. NO.  
ERF5-XXX-01-X-D-RA-XX-TR

BY: M MURILLO 05/20/09 SHEET 2 OF 3

IN PROCESS 2  
(FILL C-292-01-X)

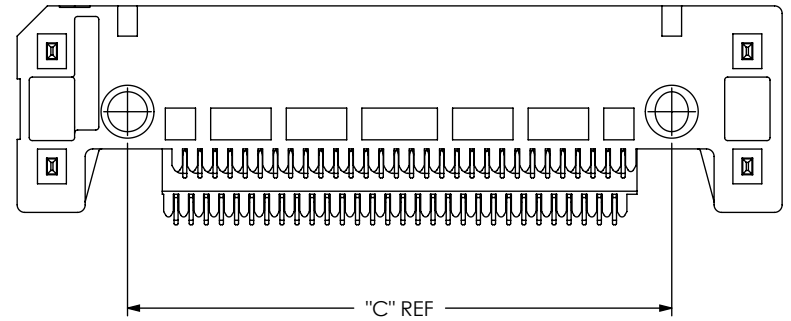
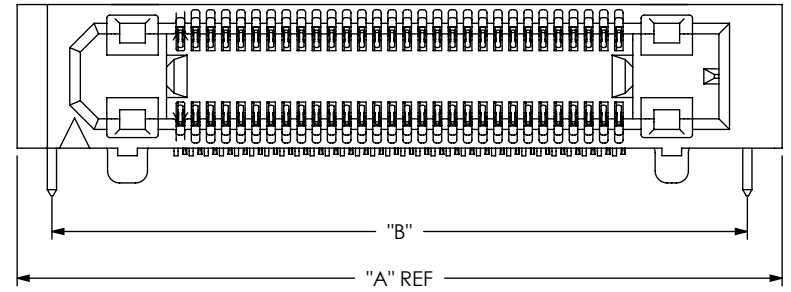
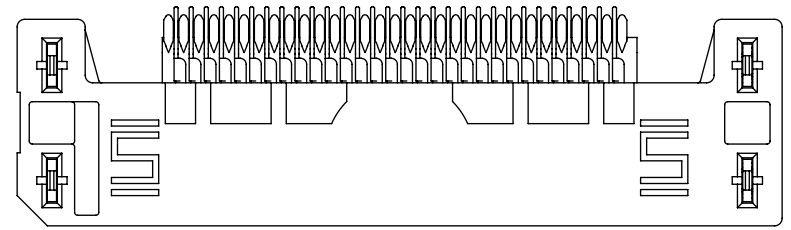
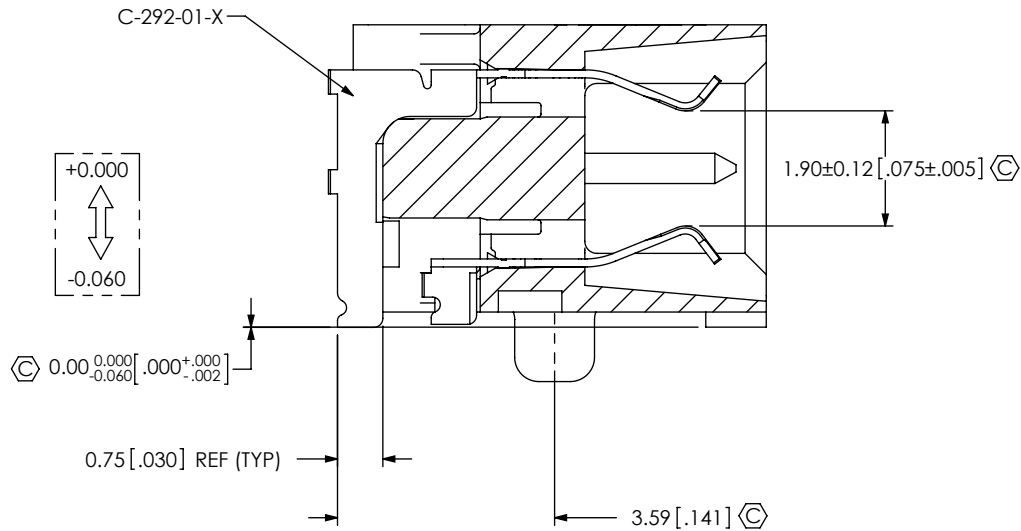


FIG 2  
(ERF5-030-01-X-D-RA-FL-TR SHOWN)  
(NOT TOOLED)  
(SAME AS FIG 1, EXCEPT AS SHOWN)

**PROPRIETARY NOTE**  
THIS DOCUMENT CONTAINS CONFIDENTIAL AND PROPRIETARY INFORMATION AND ALL DESIGN, MANUFACTURING, REPRODUCTION, USE, PATENT RIGHTS AND SALES RIGHTS ARE EXPRESSLY RESERVED BY SAMTEC, INC. THIS DOCUMENT SHALL NOT BE DISCLOSED, IN WHOLE OR PART, TO ANY UNAUTHORIZED PERSON OR ENTITY NOR REPRODUCED, TRANSFERRED OR INCORPORATED IN ANY OTHER PROJECT IN ANY MANNER WITHOUT THE EXPRESS WRITTEN CONSENT OF SAMTEC, INC.

DO NOT SCALE DRAWING

SHEET SCALE: 2:1

**samtec**

520 PARK EAST BLVD, NEW ALBANY, IN 47150  
PHONE: 812-944-6733 FAX: 812-948-5047  
e-Mail info@SAMTEC.com code 55322

DESCRIPTION:  
0.5 MM EDGE RATE SOCKET ASSEMBLY

DWG. NO.  
ERF5-XXX-01-X-D-RA-XX-TR

BY: M MURILLO 05/20/09 SHEET 3 OF 3