

MSP430F5510, MSP430F550x Mixed-Signal Microcontrollers

1 Device Overview

1.1 Features

- Low supply-voltage range:
3.6 V down to 1.8 V
- Ultra-low power consumption
 - Active mode (AM)
All system clocks active
 - 195 $\mu\text{A}/\text{MHz}$ at 8 MHz, 3 V, flash program execution (typical)
 - 115 $\mu\text{A}/\text{MHz}$ at 8 MHz, 3 V, RAM program execution (typical)
 - Standby mode (LPM3)
 - Real-time clock (RTC) with crystal, watchdog, and supply supervisor operational, full RAM retention, fast wakeup:
1.9 μA at 2.2 V, 2.1 μA at 3 V (typical)
 - Low-power oscillator (VLO), general-purpose counter, watchdog, and supply supervisor operational, full RAM retention, fast wakeup:
1.4 μA at 3 V (typical)
 - Off mode (LPM4)
Full RAM retention, supply supervisor operational, fast wakeup:
1.1 μA at 3 V (typical)
 - Shutdown mode (LPM4.5)
0.18 μA at 3 V (typical)
- Wake up from standby in less than 5 μs
- 16-bit RISC architecture, extended memory, up to 25-MHz system clock
- Flexible power-management system
 - Fully integrated LDO with programmable regulated core supply voltage
 - Supply voltage supervision, monitoring, and brownout
- Unified clock system
 - FLL control loop for frequency stabilization
 - Low-power low-frequency internal clock source (VLO)
 - Low-frequency trimmed internal reference source (REFO)
 - 32-kHz watch crystals (XT1)
 - High-frequency crystals up to 32 MHz (XT2)
- 16-bit Timer TA0, Timer_A with five capture/compare registers
- 16-bit Timer TA1, Timer_A with three capture/compare registers
- 16-bit Timer TA2, Timer_A with three capture/compare registers
- 16-bit Timer TB0, Timer_B with seven capture/compare shadow registers
- Two universal serial communication interfaces (USCIs)
 - USC1_A0 and USC1_A1 each support:
 - Enhanced UART with automatic baud-rate detection
 - IrDA encoder and decoder
 - Synchronous SPI
 - USC1_B0 and USC1_B1 each support:
 - I²C
 - Synchronous SPI
- Full-speed universal serial bus (USB)
 - Integrated USB-PHY
 - Integrated 3.3-V and 1.8-V USB power system
 - Integrated USB-PLL
 - Eight input and eight output endpoints
- 10-bit analog-to-digital converter (ADC) with window comparator
- Comparator
- Hardware multiplier supports 32-bit operations
- Serial onboard programming, no external programming voltage needed
- Three-channel internal DMA
- Basic timer with RTC feature
- [Device Comparison](#) summarizes the available family members

1.2 Applications

- Analog and digital sensor systems
- Data loggers
- Connectivity to USB hosts
- Wireless headsets



1.3 Description

The TI MSP family of ultra-low-power microcontrollers consists of several devices featuring different sets of peripherals targeted for various applications. The architecture, combined with extensive low-power modes, is optimized to achieve extended battery life in portable measurement applications. The device features a powerful 16-bit RISC CPU, 16-bit registers, and constant generators that contribute to maximum code efficiency. The digitally controlled oscillator (DCO) allows the device to wake up from low-power modes to active mode in less than 5 μ s.

The MSP430F5510, MSP430F5509, and MSP430F5508 devices are microcontroller configurations with integrated USB and PHY supporting USB 2.0, four 16-bit timers, a high-performance 10-bit ADC, two USCIs ⁽¹⁾, a hardware multiplier, DMA, an RTC module with alarm capabilities, and 31 or 47 I/O pins.

The MSP430F5507, MSP430F5506, MSP430F5505, and MSP430F5504 devices are microcontroller configurations with integrated USB and PHY supporting USB 2.0, four 16-bit timers, a high-performance 10-bit ADC, one USCI, a hardware multiplier, DMA, an RTC module with alarm capabilities, and 31 I/O pins.

The MSP430F5503, MSP430F5502, MSP430F5501, and MSP430F5500 devices include all of the MSP430F5507, MSP430F5506, MSP430F5505, and MSP430F5504 peripherals, except that they have a comparator instead of the 10-bit ADC.

Typical applications include analog and digital sensor systems and data loggers that require connectivity to various USB hosts.

For complete module descriptions, see the [MSP430F5xx and MSP430F6xx Family User's Guide](#).

- (1) In the 48-pin packages, the USCI functions that are pinned out are limited to what the user configures on port 4 with the port mapping controller. It may not be possible to bring out all functions simultaneously.

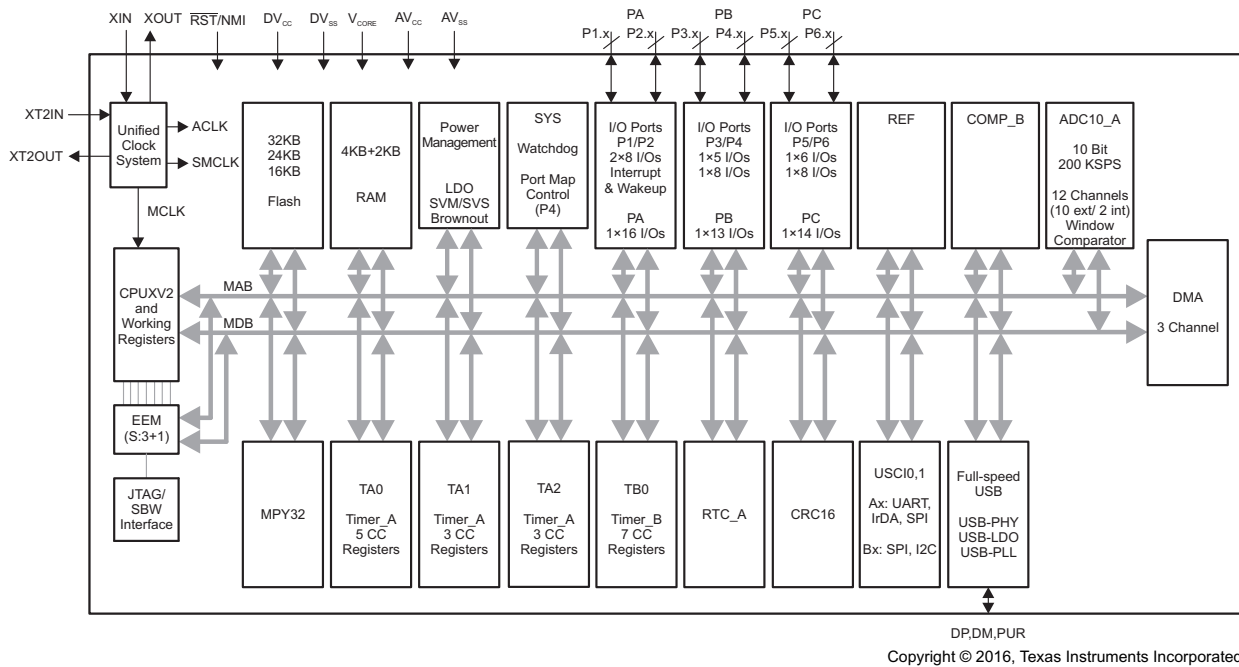
Device Information⁽¹⁾

| PART NUMBER | PACKAGE | BODY SIZE ⁽²⁾ |
|--------------------------------|----------------------------|--------------------------|
| MSP430F5510IRGC | VQFN (64) | 9 mm x 9 mm |
| MSP430F5510IPT | LQFP (48) | 7 mm x 7 mm |
| MSP430F5510IRGZ | VQFN (48) | 7 mm x 7 mm |
| MSP430F5510IZXH | nFBGA (80) | 5 mm x 5 mm |
| MSP430F5510IZQE ⁽³⁾ | MicroStar Junior™ BGA (80) | 5 mm x 5 mm |

- (1) For the most current part, package, and ordering information for all available devices, see the *Package Option Addendum* in [Section 8](#), or see the TI website at www.ti.com.
- (2) The sizes shown here are approximations. For the package dimensions with tolerances, see the *Mechanical Data* in [Section 8](#).
- (3) All orderable part numbers in the ZQE package have been changed to a status of Last Time Buy. Visit the [Product life cycle](#) page for details on this status.

1.4 Functional Block Diagrams

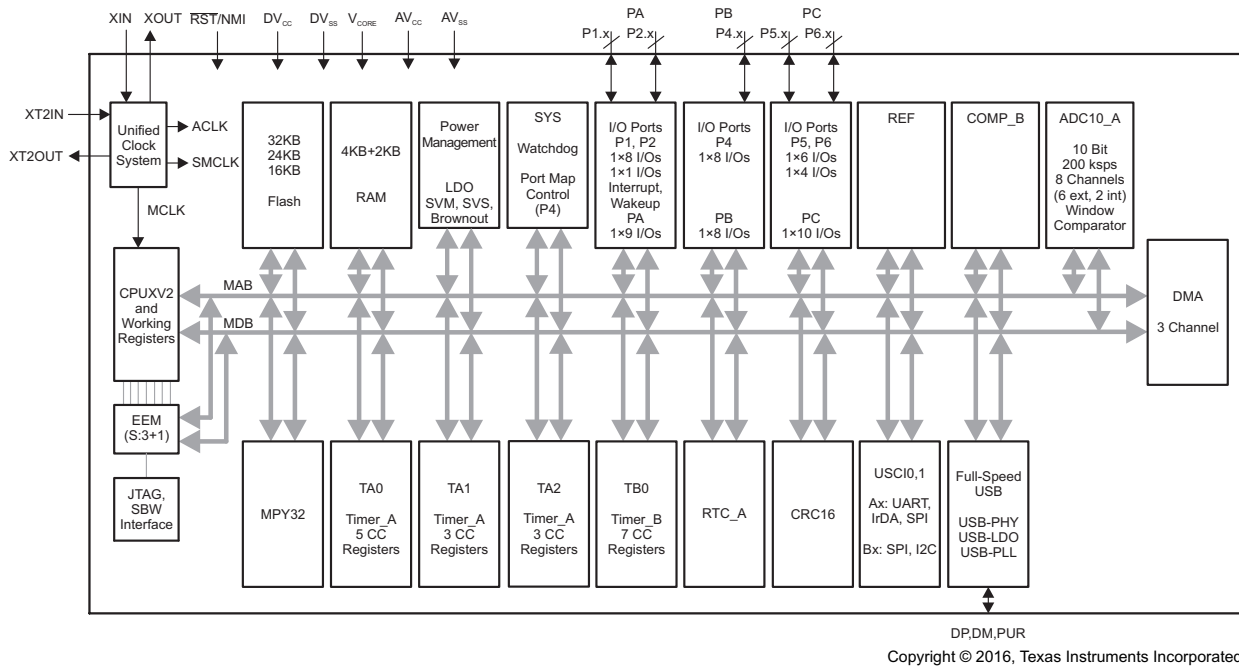
Figure 1-1 shows the functional block diagram for the MSP430F5510, MSP430F5509, and MSP430F5508 devices in the RGC, ZQE, and ZXH packages.



DP,DM,PUR
Copyright © 2016, Texas Instruments Incorporated

Figure 1-1. Functional Block Diagram – RGC, ZXH, or ZQE Package – MSP430F5510, MSP430F5509, MSP430F5508

Figure 1-2 shows the functional block diagram for the MSP430F5510, MSP430F5509, and MSP430F5508 devices in the RGZ and PT packages.



DP,DM,PUR
Copyright © 2016, Texas Instruments Incorporated

NOTE: See Table 3-1 for limitations on the simultaneous availability of USCI module signals.

Figure 1-2. Functional Block Diagram – RGZ or PT Package – MSP430F5510, MSP430F5509, MSP430F5508

Figure 1-3 shows the functional block diagram for the MSP430F5507, MSP430F5506, and MSP430F5505 devices in the RGZ package and the MSP430F5504 device in the RGZ and PT packages.

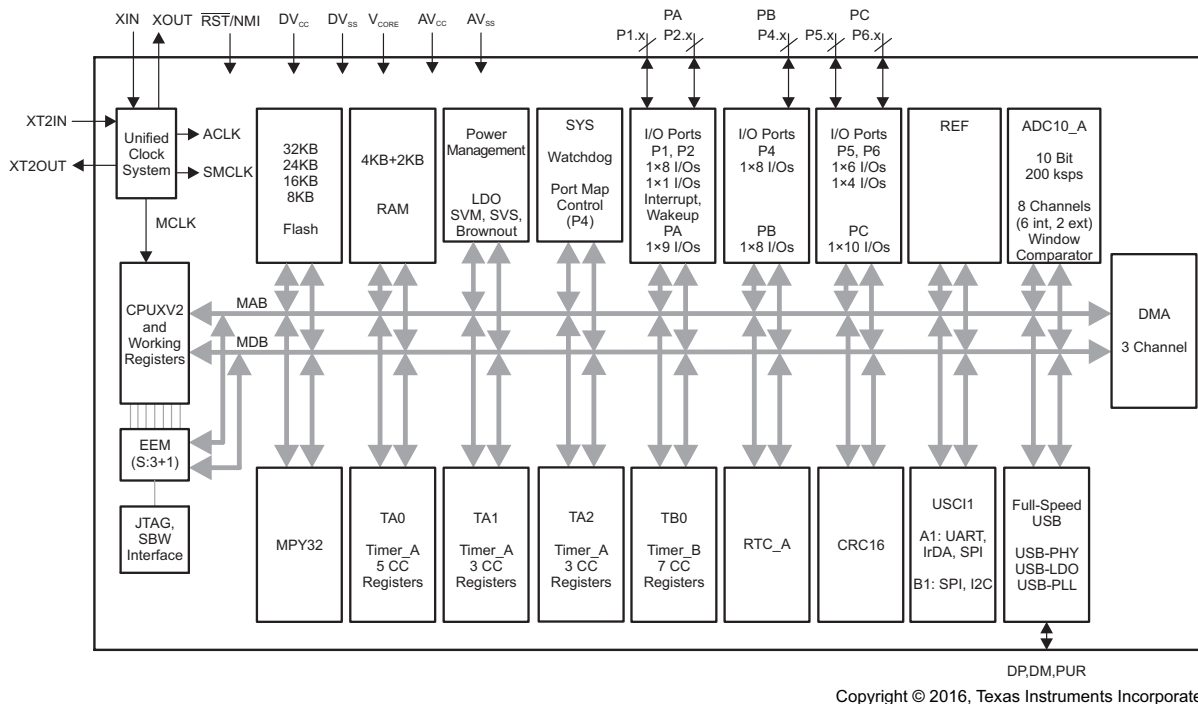


Figure 1-3. Functional Block Diagram – RGZ or PT Package – MSP430F5507, MSP430F5506, MSP430F5505, MSP430F5504

Figure 1-4 shows the functional block diagram for the MSP430F5503, MSP430F5502, MSP430F5501, and MSP430F5500 devices in the RGZ package.

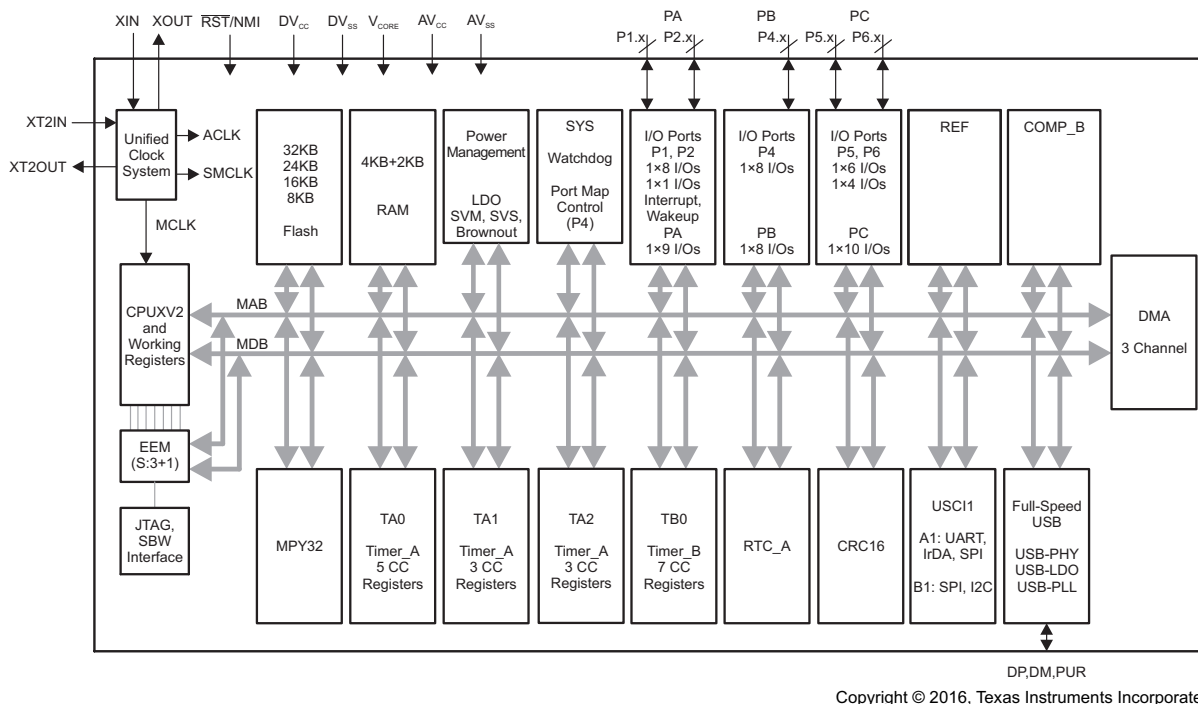


Figure 1-4. Functional Block Diagram – RGZ Package – MSP430F5503, MSP430F5502, MSP430F5501, MSP430F5500

Table of Contents

| | | | | | |
|----------|---|-----------|----------|---|------------|
| 1 | Device Overview | 1 | 5.26 | Wake-up Times From Low-Power Modes and Reset | 35 |
| 1.1 | Features | 1 | 5.27 | Timer_A | 35 |
| 1.2 | Applications | 1 | 5.28 | Timer_B | 35 |
| 1.3 | Description | 2 | 5.29 | USCI (UART Mode) Clock Frequency | 36 |
| 1.4 | Functional Block Diagrams | 3 | 5.30 | USCI (UART Mode) | 36 |
| 2 | Revision History | 6 | 5.31 | USCI (SPI Master Mode) Clock Frequency | 36 |
| 3 | Device Comparison | 7 | 5.32 | USCI (SPI Master Mode) | 36 |
| 3.1 | Related Products | 8 | 5.33 | USCI (SPI Slave Mode) | 38 |
| 4 | Terminal Configuration and Functions | 9 | 5.34 | USCI (I ² C Mode) | 40 |
| 4.1 | Pin Diagrams | 9 | 5.35 | 10-Bit ADC, Power Supply and Input Range Conditions | 41 |
| 4.2 | Signal Descriptions | 14 | 5.36 | 10-Bit ADC, Timing Parameters | 41 |
| 5 | Specifications | 19 | 5.37 | 10-Bit ADC, Linearity Parameters | 42 |
| 5.1 | Absolute Maximum Ratings | 19 | 5.38 | REF, External Reference | 42 |
| 5.2 | ESD Ratings | 19 | 5.39 | REF, Built-In Reference | 43 |
| 5.3 | Recommended Operating Conditions | 19 | 5.40 | Comparator B | 44 |
| 5.4 | Active Mode Supply Current Into V _{CC} Excluding External Current | 21 | 5.41 | Ports PU.0 and PU.1 | 45 |
| 5.5 | Low-Power Mode Supply Currents (Into V _{CC}) Excluding External Current | 22 | 5.42 | USB Output Ports (DP and DM) | 47 |
| 5.6 | Thermal Resistance Characteristics | 23 | 5.43 | USB Input Ports (DP and DM) | 47 |
| 5.7 | Schmitt-Trigger Inputs – General-Purpose I/O (P1.0 to P1.7, P2.0 to P2.7, P3.0 to P3.4, P4.0 to P4.7) (P5.0 to P5.5, P6.0 to P6.7, PJ.0 to PJ.3, RST/NMI) | 24 | 5.44 | USB-PWR (USB Power System) | 47 |
| 5.8 | Inputs – Ports P1 and P2 (P1.0 to P1.7, P2.0 to P2.7) | 24 | 5.45 | USB-PLL (USB Phase-Locked Loop) | 48 |
| 5.9 | Leakage Current – General-Purpose I/O (P1.0 to P1.7, P2.0 to P2.7, P3.0 to P3.4, P4.0 to P4.7) (P5.0 to P5.5, P6.0 to P6.7, PJ.0 to PJ.3, RST/NMI) | 24 | 5.46 | Flash Memory | 48 |
| 5.10 | Outputs – General-Purpose I/O (Full Drive Strength) (P1.0 to P1.7, P2.0 to P2.7, P3.0 to P3.4, P4.0 to P4.7, P5.0 to P5.5, P6.0 to P6.7, PJ.0 to PJ.3) | 24 | 5.47 | JTAG and Spy-Bi-Wire Interface | 48 |
| 5.11 | Outputs – General-Purpose I/O (Reduced Drive Strength) (P1.0 to P1.7, P2.0 to P2.7, P3.0 to P3.4, P4.0 to P4.7, P5.0 to P5.5, P6.0 to P6.7, PJ.0 to PJ.3) | 25 | 6 | Detailed Description | 49 |
| 5.12 | Output Frequency – General-Purpose I/O (P1.0 to P1.7, P2.0 to P2.7, P3.0 to P3.4, P4.0 to P4.7, P5.0 to P5.5, P6.0 to P6.7, PJ.0 to PJ.3) | 25 | 6.1 | CPU (Link to User's Guide) | 49 |
| 5.13 | Typical Characteristics – Outputs, Reduced Drive Strength (PxDS.y = 0) | 26 | 6.2 | Operating Modes | 50 |
| 5.14 | Typical Characteristics – Outputs, Full Drive Strength (PxDS.y = 1) | 27 | 6.3 | Interrupt Vector Addresses | 51 |
| 5.15 | Crystal Oscillator, XT1, Low-Frequency Mode | 28 | 6.4 | Memory Organization | 52 |
| 5.16 | Crystal Oscillator, XT2 | 29 | 6.5 | Bootloader (BSL) | 53 |
| 5.17 | Internal Very-Low-Power Low-Frequency Oscillator (VLO) | 30 | 6.6 | JTAG Operation | 54 |
| 5.18 | Internal Reference, Low-Frequency Oscillator (REFO) | 30 | 6.7 | Flash Memory (Link to User's Guide) | 54 |
| 5.19 | DCO Frequency | 31 | 6.8 | RAM (Link to User's Guide) | 55 |
| 5.20 | PMM, Brownout Reset (BOR) | 32 | 6.9 | Peripherals | 55 |
| 5.21 | PMM, Core Voltage | 32 | 6.10 | Peripheral File Map | 65 |
| 5.22 | PMM, SVS High Side | 33 | 6.11 | Input/Output Diagrams | 77 |
| 5.23 | PMM, SVM High Side | 34 | 6.12 | Device Descriptors | 94 |
| 5.24 | PMM, SVS Low Side | 34 | 7 | Device and Documentation Support | 100 |
| 5.25 | PMM, SVM Low Side | 35 | 7.1 | Getting Started and Next Steps | 100 |
| | | | 7.2 | Device Nomenclature | 100 |
| | | | 7.3 | Tools and Software | 102 |
| | | | 7.4 | Documentation Support | 104 |
| | | | 7.5 | Related Links | 105 |
| | | | 7.6 | Community Resources | 105 |
| | | | 7.7 | Trademarks | 106 |
| | | | 7.8 | Electrostatic Discharge Caution | 106 |
| | | | 7.9 | Export Control Notice | 106 |
| | | | 7.10 | Glossary | 106 |
| | | | 8 | Mechanical, Packaging, and Orderable Information | 107 |

2 Revision History

| Changes from September 21, 2018 to May 1, 2020 | Page |
|---|-------------------|
| • Throughout the document, added the ZXH package | 1 |
| • Changed the status of all orderable part numbers in the ZQE package | 2 |

3 Device Comparison

Table 3-1 summarizes the available family members.

Table 3-1. Device Comparison⁽¹⁾⁽²⁾

| DEVICE | PROGRAM MEMORY (KB) | SRAM (KB) ⁽³⁾ | Timer_A ⁽⁴⁾ | Timer_B ⁽⁵⁾ | USCI | | ADC10_A (CH) | Comp_B (CH) | I/Os | PACKAGE |
|-------------|---------------------|--------------------------|------------------------|------------------------|---------------------------------|----------------------------------|---------------|-------------|------|------------------------|
| | | | | | CHANNEL A: UART, LIN, IrDA, SPI | CHANNEL B: SPI, I ² C | | | | |
| MSP430F5510 | 32 | 4 + 2 | 5, 3, 3 | 7 | 2 | 2 | 10 ext, 2 int | 8 | 47 | 64 RGC, 80 ZXH, 80 ZQE |
| | | | | | 2 ⁽⁶⁾ | 2 ⁽⁶⁾ | 6 ext, 2 int | 4 | 31 | 48 PT, 48 RGZ |
| MSP430F5509 | 24 | 4 + 2 | 5, 3, 3 | 7 | 2 | 2 | 10 ext, 2 int | 8 | 47 | 64 RGC, 80 ZXH, 80 ZQE |
| | | | | | 2 ⁽⁶⁾ | 2 ⁽⁶⁾ | 6 ext, 2 int | 4 | 31 | 48 PT, 48 RGZ |
| MSP430F5508 | 16 | 4 + 2 | 5, 3, 3 | 7 | 2 | 2 | 10 ext, 2 int | 8 | 47 | 64 RGC, 80 ZXH, 80 ZQE |
| | | | | | 2 ⁽⁶⁾ | 2 ⁽⁶⁾ | 6 ext, 2 int | 4 | 31 | 48 PT, 48 RGZ |
| MSP430F5507 | 32 | 4 + 2 | 5, 3, 3 | 7 | 1 | 1 | 6 ext, 2 int | – | 31 | 48 RGZ |
| MSP430F5506 | 24 | 4 + 2 | 5, 3, 3 | 7 | 1 | 1 | 6 ext, 2 int | – | 31 | 48 RGZ |
| MSP430F5505 | 16 | 4 + 2 | 5, 3, 3 | 7 | 1 | 1 | 6 ext, 2 int | – | 31 | 48 RGZ |
| MSP430F5504 | 8 | 4 + 2 | 5, 3, 3 | 7 | 1 | 1 | 6 ext, 2 int | – | 31 | 48 PT, 48 RGZ |
| MSP430F5503 | 32 | 4 + 2 | 5, 3, 3 | 7 | 1 | 1 | – | 4 | 31 | 48 RGZ |
| MSP430F5502 | 24 | 4 + 2 | 5, 3, 3 | 7 | 1 | 1 | – | 4 | 31 | 48 RGZ |
| MSP430F5501 | 16 | 4 + 2 | 5, 3, 3 | 7 | 1 | 1 | – | 4 | 31 | 48 RGZ |
| MSP430F5500 | 8 | 4 + 2 | 5, 3, 3 | 7 | 1 | 1 | – | 4 | 31 | 48 RGZ |

- (1) For the most current part, package, and ordering information for all available devices, see the *Package Option Addendum* in [Section 8](#), or see the TI website at www.ti.com.
- (2) Package drawings, standard packing quantities, thermal data, symbolization, and PCB design guidelines are available at www.ti.com/packaging.
- (3) The additional 2KB USB SRAM that is listed can be used as general-purpose SRAM when USB is not in use.
- (4) Each number in the sequence represents an instantiation of Timer_A with its associated number of capture/compare registers and PWM output generators available. For example, a number sequence of 3, 5 would represent two instantiations of Timer_A, the first instantiation having 3 and the second instantiation having 5 capture/compare registers and PWM output generators, respectively.
- (5) Each number in the sequence represents an instantiation of Timer_B with its associated number of capture/compare registers and PWM output generators available. For example, a number sequence of 3, 5 would represent two instantiations of Timer_B, the first instantiation having 3 and the second instantiation having 5 capture/compare registers and PWM output generators, respectively.
- (6) Two USCIs are available; however, pinned out functions are limited to what the user configures on port 4 with the port mapping controller (see [Section 6.9.2](#)). It may not be possible to bring out all functions simultaneously.

3.1 Related Products

For information about other devices in this family of products or related products, see the following links.

Products for TI Microcontrollers TI's low-power and high-performance MCUs, with wired and wireless connectivity options, are optimized for a broad range of applications.

Products for MSP430 Ultra-Low-Power Microcontrollers One platform. One ecosystem. Endless possibilities. Enabling the connected world with innovations in ultra-low-power microcontrollers with advanced peripherals for precise sensing and measurement.

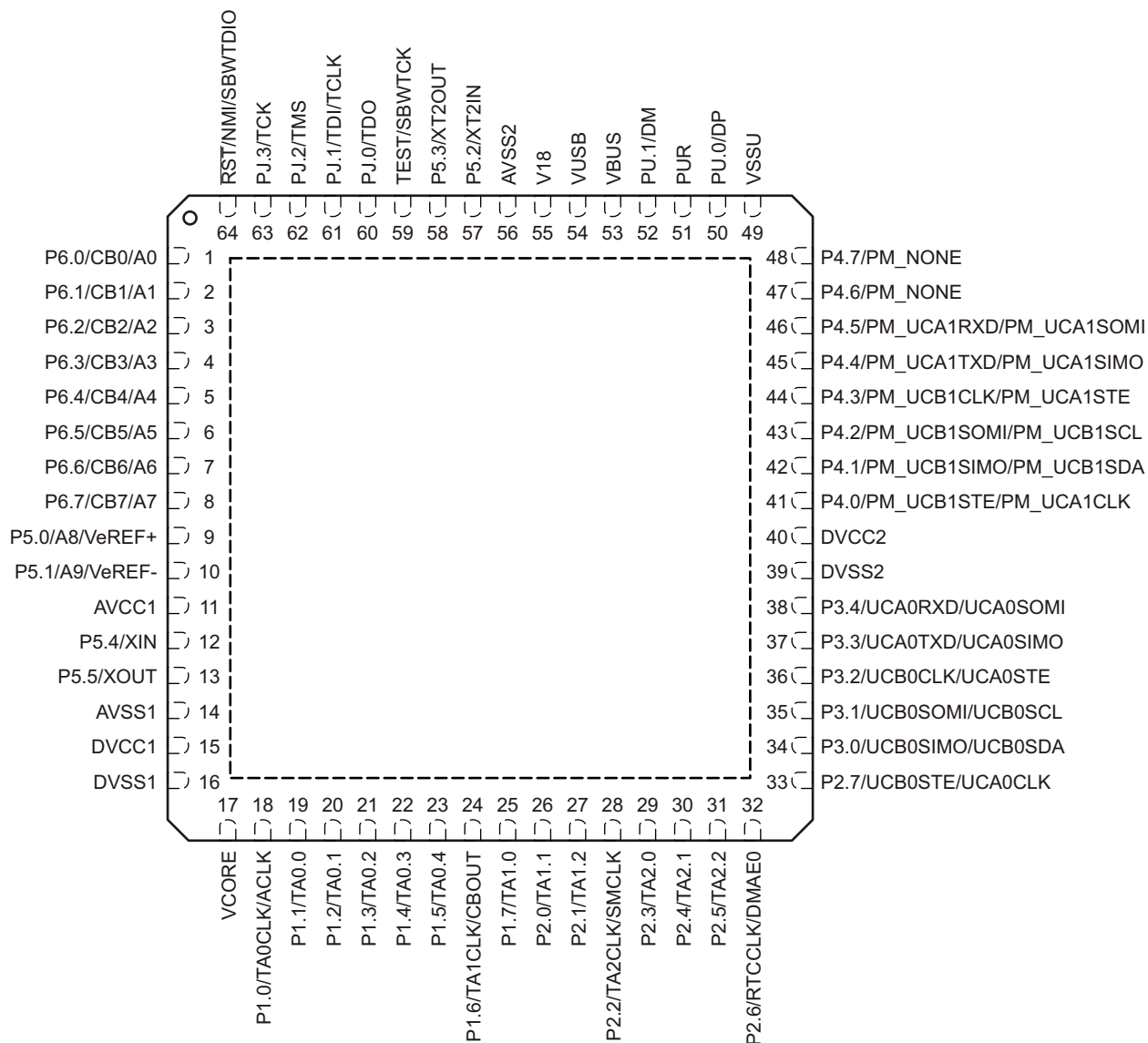
Companion Products for MSP430F5510 Review products that are frequently purchased or used in conjunction with this product.

Reference Designs Find reference designs leveraging the best in TI technology to solve your system-level challenges

4 Terminal Configuration and Functions

4.1 Pin Diagrams

Figure 4-1 shows the pinout for the 64-pin RGC package of the MSP430F5510, MSP430F5509, and MSP430F5508 MCUs.



NOTE: TI recommends connection of the exposed thermal pad to V_{SS} .

Figure 4-1. 64-Pin RGC Package (Top View) – F5510, F5509, F5508

Figure 4-2 shows the pinout for the 80-pin ZXH or ZQE package of the MSP430F5510, MSP430F5509, and MSP430F5508 MCUs. See Section 4.2 for the pin assignments.

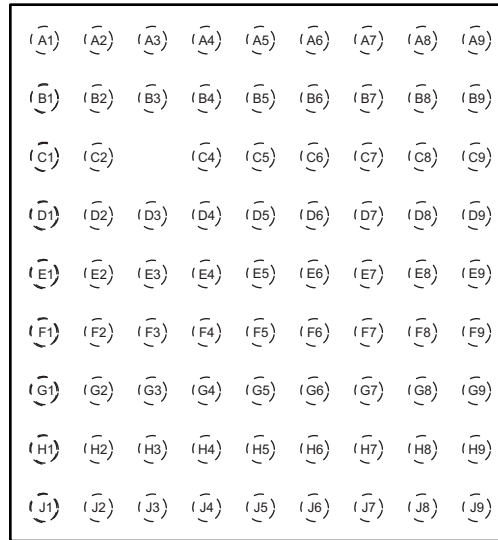
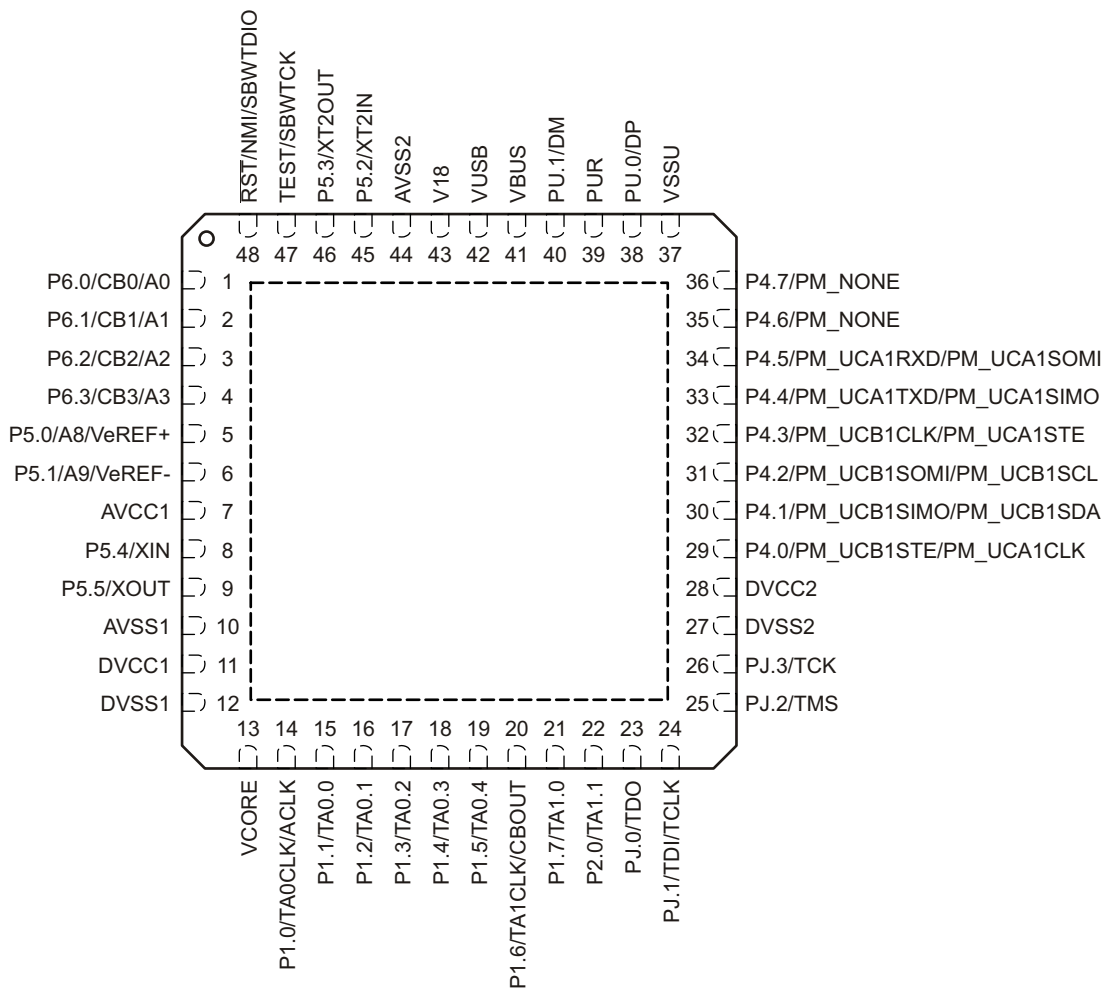


Figure 4-2. 80-Pin ZXH or ZQE Package (Top View) – F5510, F5509, F5508

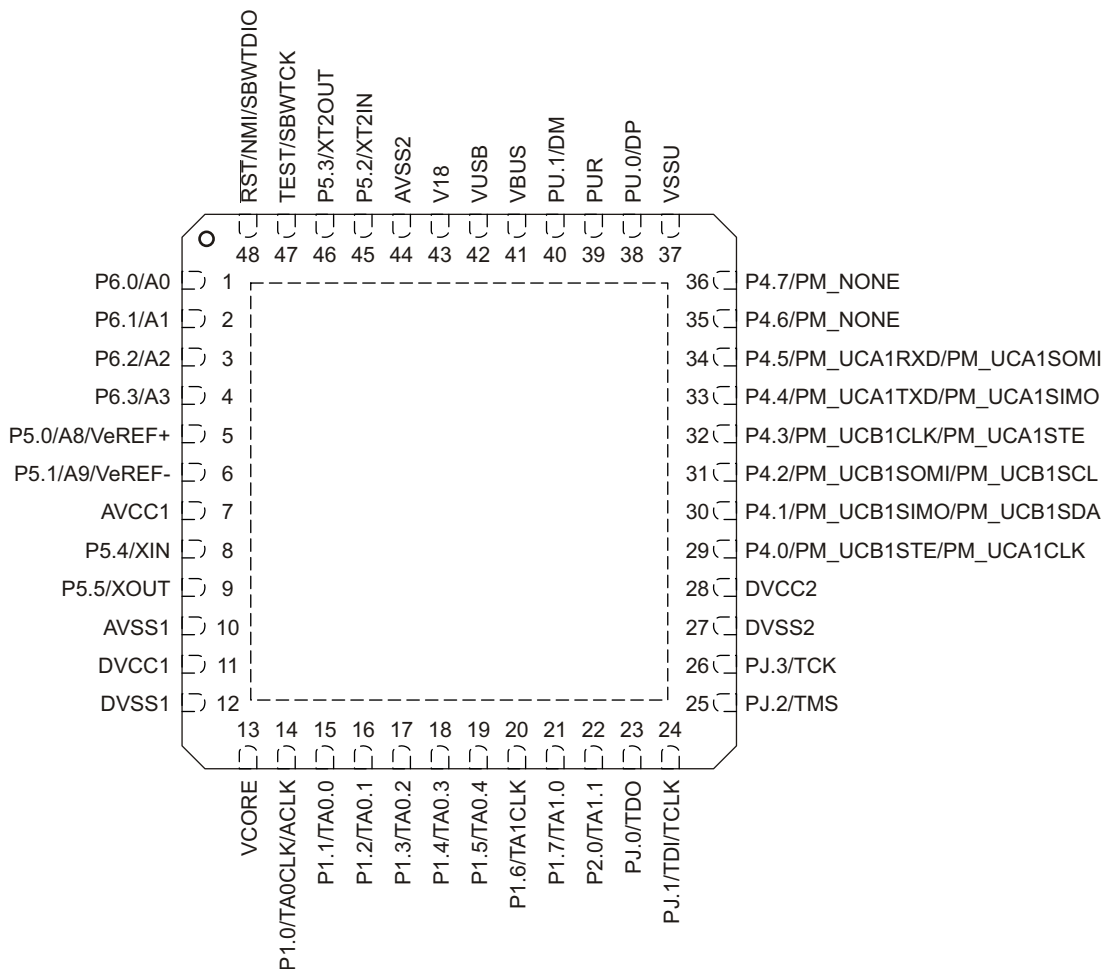
Figure 4-3 shows the pinout for 48-pin RGZ and PT packages of the MSP430F5510, MSP430F5509, and MSP430F5508 MCUs.



NOTE: TI recommends connection of the exposed thermal pad to V_{SS}.

Figure 4-3. 48-Pin RGZ or PT Package (Top View) – F5510, F5509, F5508

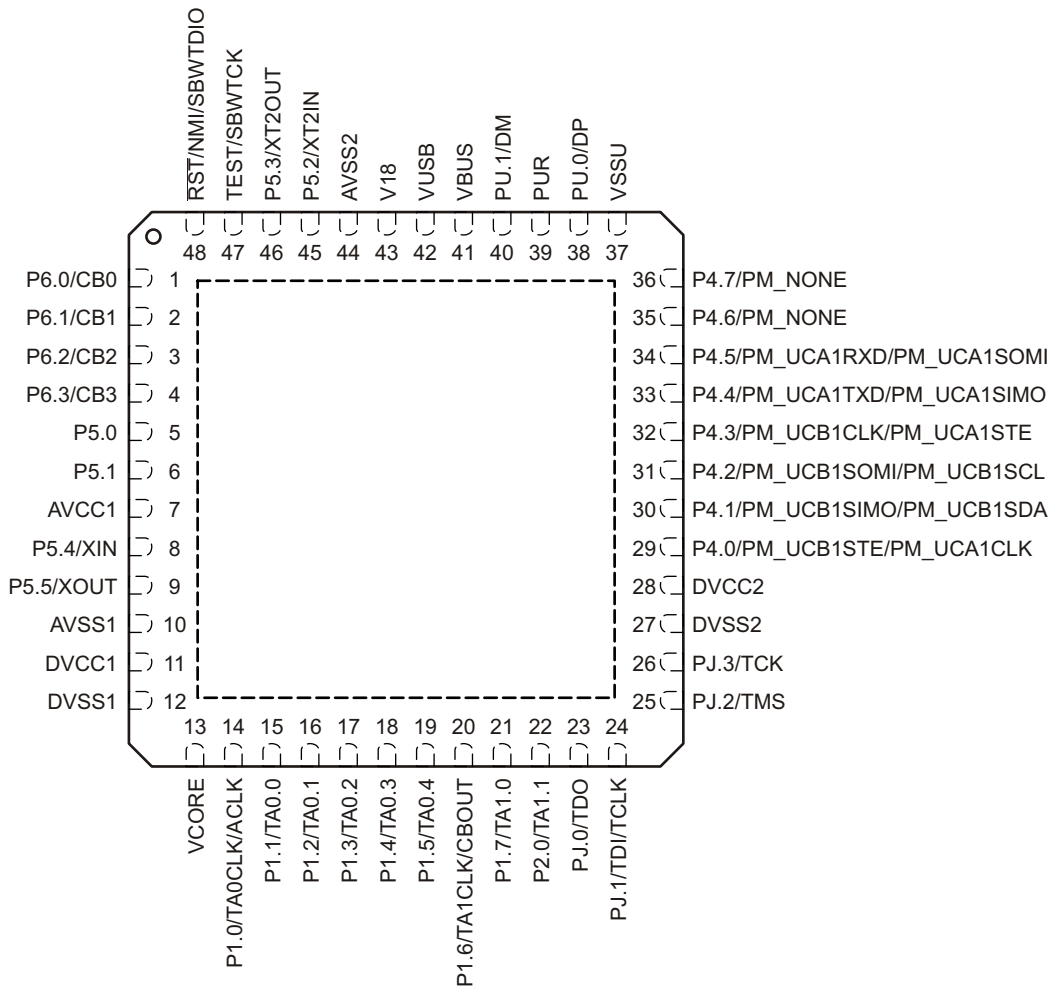
Figure 4-4 shows the pinout for the 48-pin RGZ and PT packages of the MSP430F5507, MSP430F5506, MSP430F5505, and MSP430F5504 MCUs.



NOTE: TI recommends connection of the exposed thermal pad to V_{SS} .

Figure 4-4. 48-Pin RGZ or PT Package (Top View) – F5507, F5506, F5505, F5504

Figure 4-5 shows the pinout for the 48-pin RGZ package of the MSP430F5503, MSP430F5502, MSP430F5501, and MSP430F5500 MCUs.



NOTE: TI recommends connection of the exposed thermal pad to V_{SS}.

Figure 4-5. 48-Pin RGZ Package (Top View) – F5503, F5502, F5501, F5500

4.2 Signal Descriptions

Table 4-1 describes the signals for all device variants and package options.

Table 4-1. Terminal Functions

| NAME | NO. | | | I/O ⁽¹⁾ | DESCRIPTION |
|----------------------|-----|------------|-------------|--------------------|--|
| | RGZ | RGZ, PT | ZXH, ZQE | | |
| P6.4/CB4/A4 | 5 | N/A | C1 | I/O | General-purpose digital I/O Comparator_B input CB4 (not available on PT and RGZ package devices) Analog input A4 – ADC (not available on PT and RGZ package devices) |
| P6.5/CB5/A5 | 6 | N/A | D2 | I/O | General-purpose digital I/O Comparator_B input CB5 (not available on PT and RGZ package devices) Analog input A5 – ADC (not available on PT and RGZ package devices) |
| P6.6/CB6/A6 | 7 | N/A | D1 | I/O | General-purpose digital I/O Comparator_B input CB6 (not available on PT and RGZ package devices) Analog input A6 – ADC (not available on PT and RGZ package devices) |
| P6.7/CB7/A7 | 8 | N/A | D3 | I/O | General-purpose digital I/O Comparator_B input CB7 (not available on PT and RGZ package devices) Analog input A7 – ADC (not available on PT and RGZ package devices) |
| P5.0/A8/VeREF+ | 9 | 5 | E1 | I/O | General-purpose digital I/O Analog input A8 – ADC (not available on F5503, F5502, F5501, F5500 devices) Input for an external reference voltage to the ADC (not available on F5503, F5502, F5501, F5500 devices) |
| P5.1/A9/VeREF- | 10 | 6 | E2 | I/O | General-purpose digital I/O Analog input A9 – ADC (not available on F5503, F5502, F5501, F5500 devices) Negative terminal for an externally provided ADC reference (not available on F5503, F5502, F5501, F5500 devices) |
| AVCC1 | 11 | 7 | F2 | | Analog power supply |
| P5.4/XIN | 12 | 8 | F1 | I/O | General-purpose digital I/O Input terminal for crystal oscillator XT1 |
| P5.5/XOUT | 13 | 9 | G1 | I/O | General-purpose digital I/O Output terminal of crystal oscillator XT1 |
| AVSS1 | 14 | 10 | G2 | | Analog ground supply |
| DVCC1 | 15 | 11 | H1 | | Digital power supply |
| DVSS1 | 16 | 12 | J1 | | Digital ground supply |
| VCORE ⁽²⁾ | 17 | 13 | J2 | | Regulated core power supply output (internal use only, no external current loading) |
| P1.0/TA0CLK/ACLK | 18 | 14 | H2 | I/O | General-purpose digital I/O with port interrupt TA0 clock signal TA0CLK input ACLK output (divided by 1, 2, 4, 8, 16, or 32) |
| P1.1/TA0.0 | 19 | 15 | H3 | I/O | General-purpose digital I/O with port interrupt TA0 CCR0 capture: CCI0A input, compare: Out0 output BSL transmit output |
| P1.2/TA0.1 | 20 | 16 | J3 | I/O | General-purpose digital I/O with port interrupt TA0 CCR1 capture: CCI1A input, compare: Out1 output BSL receive input |

(1) I = input, O = output, N/A = not available

(2) VCore is for internal use only. No external current loading is possible. VCore should only be connected to the recommended capacitor value, C_{VCore} (see Section 5.3).

Table 4-1. Terminal Functions (continued)

| TERMINAL | | | | I/O ⁽¹⁾ | DESCRIPTION |
|-----------------------|-----|------------|-------------|--------------------|---|
| NAME | NO. | | | | |
| | RGC | RGZ, PT | ZXH, ZQE | | |
| P1.3/TA0.2 | 21 | 17 | G4 | I/O | General-purpose digital I/O with port interrupt TA0 CCR2 capture: CCI2A input, compare: Out2 output |
| P1.4/TA0.3 | 22 | 18 | H4 | I/O | General-purpose digital I/O with port interrupt TA0 CCR3 capture: CCI3A input compare: Out3 output |
| P1.5/TA0.4 | 23 | 19 | J4 | I/O | General-purpose digital I/O with port interrupt TA0 CCR4 capture: CCI4A input, compare: Out4 output |
| P1.6/TA1CLK/CBOUT | 24 | 20 | G5 | I/O | General-purpose digital I/O with port interrupt TA1 clock signal TA1CLK input Comparator_B output |
| P1.7/TA1.0 | 25 | 21 | H5 | I/O | General-purpose digital I/O with port interrupt TA1 CCR0 capture: CCI0A input, compare: Out0 output |
| P2.0/TA1.1 | 26 | 22 | J5 | I/O | General-purpose digital I/O with port interrupt TA1 CCR1 capture: CCI1A input, compare: Out1 output |
| P2.1/TA1.2 | 27 | N/A | G6 | I/O | General-purpose digital I/O with port interrupt TA1 CCR2 capture: CCI2A input, compare: Out2 output |
| P2.2/TA2CLK/SMCLK | 28 | N/A | J6 | I/O | General-purpose digital I/O with port interrupt TA2 clock signal TA2CLK input SMCLK output |
| P2.3/TA2.0 | 29 | N/A | H6 | I/O | General-purpose digital I/O with port interrupt TA2 CCR0 capture: CCI0A input, compare: Out0 output |
| P2.4/TA2.1 | 30 | N/A | J7 | I/O | General-purpose digital I/O with port interrupt TA2 CCR1 capture: CCI1A input, compare: Out1 output |
| P2.5/TA2.2 | 31 | N/A | J8 | I/O | General-purpose digital I/O with port interrupt TA2 CCR2 capture: CCI2A input, compare: Out2 output |
| P2.6/RTCCLK/DMAE0 | 32 | N/A | J9 | I/O | General-purpose digital I/O with port interrupt RTC clock output for calibration DMA external trigger input |
| P2.7/UCB0STE/UCA0CLK | 33 | N/A | H7 | I/O | General-purpose digital I/O with port interrupt Slave transmit enable – USCI_B0 SPI mode Clock signal input – USCI_A0 SPI slave mode Clock signal output – USCI_A0 SPI master mode |
| P3.0/UCB0SIMO/UCB0SDA | 34 | N/A | H8 | I/O | General-purpose digital I/O Slave in, master out – USCI_B0 SPI mode I ² C data – USCI_B0 I ² C mode |
| P3.1/UCB0SOMI/UCB0SCL | 35 | N/A | H9 | I/O | General-purpose digital I/O Slave out, master in – USCI_B0 SPI mode I ² C clock – USCI_B0 I ² C mode |
| P3.2/UCB0CLK/UCA0STE | 36 | N/A | G8 | I/O | General-purpose digital I/O Clock signal input – USCI_B0 SPI slave mode Clock signal output – USCI_B0 SPI master mode Slave transmit enable – USCI_A0 SPI mode |
| P3.3/UCA0TXD/UCA0SIMO | 37 | N/A | G9 | I/O | General-purpose digital I/O Transmit data – USCI_A0 UART mode Slave in, master out – USCI_A0 SPI mode |

Table 4-1. Terminal Functions (continued)

| TERMINAL | | | | I/O ⁽¹⁾ | DESCRIPTION |
|---------------------------------|-----|------------|-------------|--------------------|--|
| NAME | NO. | | | | |
| | RGC | RGZ, PT | ZXH, ZQE | | |
| P3.4/UCA0RXD/UCA0SOMI | 38 | N/A | G7 | I/O | General-purpose digital I/O Receive data – USCI_A0 UART mode Slave out, master in – USCI_A0 SPI mode |
| P4.0/PM_UCB1STE/ PM_UCA1CLK | 41 | 29 | E8 | I/O | General-purpose digital I/O with reconfigurable port mapping secondary function Default mapping: Slave transmit enable – USCI_B1 SPI mode Default mapping: Clock signal input – USCI_A1 SPI slave mode Default mapping: Clock signal output – USCI_A1 SPI master mode |
| P4.1/PM_UCB1SIMO/ PM_UCB1SDA | 42 | 30 | E7 | I/O | General-purpose digital I/O with reconfigurable port mapping secondary function Default mapping: Slave in, master out – USCI_B1 SPI mode Default mapping: I ² C data – USCI_B1 I ² C mode |
| P4.2/PM_UCB1SOMI/ PM_UCB1SCL | 43 | 31 | D9 | I/O | General-purpose digital I/O with reconfigurable port mapping secondary function Default mapping: Slave out, master in – USCI_B1 SPI mode Default mapping: I ² C clock – USCI_B1 I ² C mode |
| P4.3/PM_UCB1CLK/ PM_UCA1STE | 44 | 32 | D8 | I/O | General-purpose digital I/O with reconfigurable port mapping secondary function Default mapping: Clock signal input – USCI_B1 SPI slave mode Default mapping: Clock signal output – USCI_B1 SPI master mode Default mapping: Slave transmit enable – USCI_A1 SPI mode |
| DVSS2 | 39 | 27 | F9 | | Digital ground supply |
| DVCC2 | 40 | 28 | E9 | | Digital power supply |
| P4.4/PM_UCA1TXD/ PM_UCA1SIMO | 45 | 33 | D7 | I/O | General-purpose digital I/O with reconfigurable port mapping secondary function Default mapping: Transmit data – USCI_A1 UART mode Default mapping: Slave in, master out – USCI_A1 SPI mode |
| P4.5/PM_UCA1RXD/ PM_UCA1SOMI | 46 | 34 | C9 | I/O | General-purpose digital I/O with reconfigurable port mapping secondary function Default mapping: Receive data – USCI_A1 UART mode Default mapping: Slave out, master in – USCI_A1 SPI mode |
| P4.6/PM_NONE | 47 | 35 | C8 | I/O | General-purpose digital I/O with reconfigurable port mapping secondary function Default mapping: no secondary function |
| P4.7/PM_NONE | 48 | 36 | C7 | I/O | General-purpose digital I/O with reconfigurable port mapping secondary function Default mapping: no secondary function |
| VSSU | 49 | 37 | B8, B9 | | USB PHY ground supply |
| PU.0/DP | 50 | 38 | A9 | I/O | General-purpose digital I/O - controlled by USB control register USB data terminal DP |
| PUR | 51 | 39 | B7 | I/O | USB pullup resistor pin (open drain). The voltage level at the PUR pin is used to invoke the default USB BSL. Recommended 1-M Ω resistor to ground. See Section 6.5.1 for more information. |
| PU.1/DM | 52 | 40 | A8 | I/O | General-purpose digital I/O - controlled by USB control register USB data terminal DM |
| VBUS | 53 | 41 | A7 | | USB LDO input (connect to USB power source) |
| VUSB | 54 | 42 | A6 | | USB LDO output |

Table 4-1. Terminal Functions (continued)

| TERMINAL | | | | I/O ⁽¹⁾ | DESCRIPTION |
|---|-----|------------|----------------|--------------------|--|
| NAME | NO. | | | | |
| | RGC | RGZ, PT | ZXH, ZQE | | |
| V18 | 55 | 43 | B6 | | USB regulated power (internal use only, no external current loading) |
| AVSS2 | 56 | 44 | A5 | | Analog ground supply |
| P5.2/XT2IN | 57 | 45 | B5 | I/O | General-purpose digital I/O Input terminal for crystal oscillator XT2 |
| P5.3/XT2OUT | 58 | 46 | B4 | I/O | General-purpose digital I/O Output terminal of crystal oscillator XT2 |
| TEST/SBWTK | 59 | 47 | A4 | I | Test mode pin – select digital I/O on JTAG pins Spy-By-Wire input clock |
| PJ.0/TDO | 60 | 23 | C5 | I/O | General-purpose digital I/O Test data output port |
| PJ.1/TDI/TCLK | 61 | 24 | C4 | I/O | General-purpose digital I/O Test data input Test clock input |
| PJ.2/TMS | 62 | 25 | A3 | I/O | General-purpose digital I/O Test mode select |
| PJ.3/TCK | 63 | 26 | B3 | I/O | General-purpose digital I/O Test clock |
| $\overline{\text{RST}}/\text{NMI}/\text{SBWTDIO}$ | 64 | 48 | A2 | I/O | Reset input, active low ⁽³⁾ Nonmaskable interrupt input Spy-By-Wire data input/output |
| P6.0/CB0/A0 | 1 | 1 | A1 | I/O | General-purpose digital I/O Comparator_B input CB0 (not available on F5507, F5506, F5505, F5504 devices) Analog input A0 – ADC (not available on F5503, F5502, F5501, F5500 devices) |
| P6.1/CB1/A1 | 2 | 2 | B2 | I/O | General-purpose digital I/O Comparator_B input CB1 (not available on F5507, F5506, F5505, F5504 devices) Analog input A1 – ADC (not available on F5503, F5502, F5501, F5500 devices) |
| P6.2/CB2/A2 | 3 | 3 | B1 | I/O | General-purpose digital I/O Comparator_B input CB2 (not available on F5507, F5506, F5505, F5504 devices) Analog input A2 – ADC (not available on F5503, F5502, F5501, F5500 devices) |
| P6.3/CB3/A3 | 4 | 4 | C2 | I/O | General-purpose digital I/O Comparator_B input CB3 (not available on F5507, F5506, F5505, F5504 devices) Analog input A3 – ADC (not available on F5503, F5502, F5501, F5500 devices) |
| Reserved | N/A | N/A | ⁽⁴⁾ | | Reserved. Connect to ground. |
| QFN Pad | Pad | Pad | N/A | | Exposed QFN package pad (not available on PT package devices). TI recommends connecting to V _{SS} . |

(3) When this pin is configured as reset, the internal pullup resistor is enabled by default.

(4) C6, D4, D5, D6, E3, E4, E5, E6, F3, F4, F5, F6, F7, F8, G3 are reserved and should be connected to ground.

5 Specifications

All graphs in this section are for typical conditions, unless otherwise noted.

Typical (TYP) values are specified at $V_{CC} = 3.3\text{ V}$ and $T_A = 25^\circ\text{C}$, unless otherwise noted.

5.1 Absolute Maximum Ratings⁽¹⁾

over operating free-air temperature range (unless otherwise noted)

| | MIN | MAX | UNIT |
|--|------|----------------|------|
| Voltage applied at V_{CC} to V_{SS} | -0.3 | 4.1 | V |
| Voltage applied to any pin (excluding V _{CORE} , V _{BUS} , V18) ⁽²⁾ | -0.3 | $V_{CC} + 0.3$ | V |
| Diode current at any device pin | | ±2 | mA |
| Maximum junction temperature, T_J | | 95 | °C |
| Storage temperature, T_{stg} ⁽³⁾ | -55 | 150 | °C |

- (1) Stresses beyond those listed under *Absolute Maximum Ratings* may cause permanent damage to the device. These are stress ratings only, and functional operation of the device at these or any other conditions beyond those indicated under *Recommended Operating Conditions* is not implied. Exposure to absolute-maximum-rated conditions for extended periods may affect device reliability.
- (2) All voltages referenced to V_{SS} . V_{CORE} is for internal device use only. No external DC loading or voltage should be applied.
- (3) Higher temperature may be applied during board soldering according to the current JEDEC J-STD-020 specification with peak reflow temperatures not higher than classified on the device label on the shipping boxes or reels.

5.2 ESD Ratings

| | | VALUE | UNIT |
|-------------------------------------|--|-------|------|
| $V_{(ESD)}$ Electrostatic discharge | Human-body model (HBM), per ANSI/ESDA/JEDEC JS-001 ⁽¹⁾ | ±1000 | V |
| | Charged-device model (CDM), per JEDEC specification JESD22-C101 ⁽²⁾ | ±250 | |

- (1) JEDEC document JEP155 states that 500-V HBM allows safe manufacturing with a standard ESD control process. Pins listed as ±1000 V may actually have higher performance.
- (2) JEDEC document JEP157 states that 250-V CDM allows safe manufacturing with a standard ESD control process. Pins listed as ±250 V may actually have higher performance.

5.3 Recommended Operating Conditions

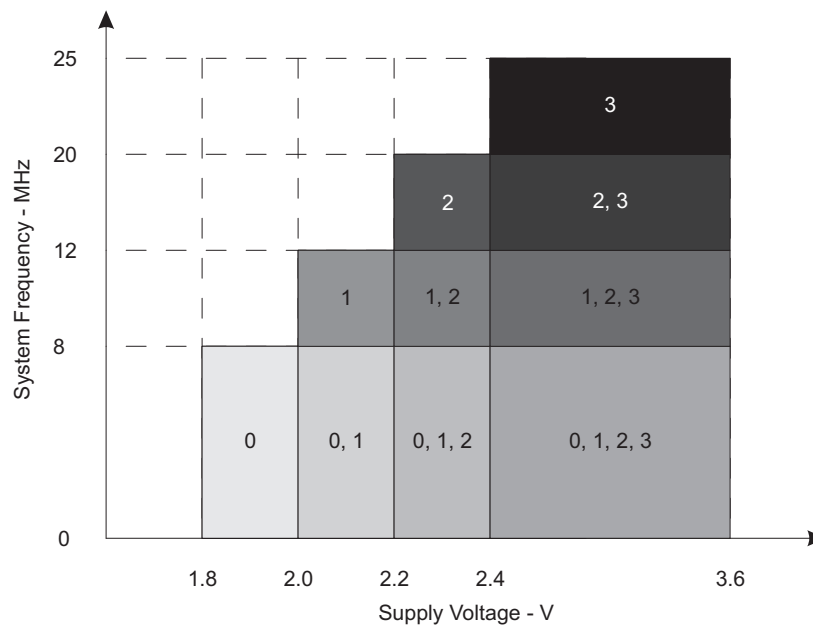
| | | MIN | NOM | MAX | UNIT |
|----------------------|---|------------------------|-----|-----|------|
| V_{CC} | Supply voltage during program execution and flash programming ($AV_{CC} = DV_{CC}$) ⁽¹⁾⁽²⁾ | PMMCOREVx = 0 | 1.8 | 3.6 | V |
| | | PMMCOREVx = 0, 1 | 2.0 | 3.6 | |
| | | PMMCOREVx = 0, 1, 2 | 2.2 | 3.6 | |
| | | PMMCOREVx = 0, 1, 2, 3 | 2.4 | 3.6 | |
| $V_{CC,USB}$ | Supply voltage during USB operation, USB PLL disabled, USB_EN = 1, UPLLEN = 0 | PMMCOREVx = 0 | 1.8 | 3.6 | V |
| | | PMMCOREVx = 0, 1 | 2.0 | 3.6 | |
| | | PMMCOREVx = 0, 1, 2 | 2.2 | 3.6 | |
| | | PMMCOREVx = 0, 1, 2, 3 | 2.4 | 3.6 | |
| | Supply voltage during USB operation, USB PLL enabled ⁽³⁾ , USB_EN = 1, UPLLEN = 1 | PMMCOREVx = 2 | 2.2 | 3.6 | |
| | | PMMCOREVx = 2, 3 | 2.4 | 3.6 | |
| V_{SS} | Supply voltage ($AV_{SS} = DV_{SS1} = DV_{SS2} = DV_{SS}$) | | 0 | | V |
| T_A | Operating free-air temperature | I version | -40 | 85 | °C |
| T_J | Operating junction temperature | I version | -40 | 85 | °C |
| C_{VCORE} | Capacitor at V _{CORE} ⁽⁴⁾ | | 470 | | nF |
| C_{DVCC}/C_{VCORE} | Capacitor ratio of DV _{CC} to V _{CORE} | | 10 | | |

- (1) TI recommends powering AV_{CC} and DV_{CC} from the same source. A maximum difference of 0.3 V between AV_{CC} and DV_{CC} can be tolerated during power up and operation.
- (2) The minimum supply voltage is defined by the supervisor SVS levels when it is enabled. See the [Section 5.22](#) threshold parameters for the exact values and further details.
- (3) USB operation with USB PLL enabled requires PMMCOREVx ≥ 2 for proper operation.
- (4) A capacitor tolerance of ±20% or better is required.

Recommended Operating Conditions (continued)

| | | MIN | NOM | MAX | UNIT | |
|-------------------------|--|--|-----|-----|--------|-----|
| f _{SYSTEM} | Processor frequency (maximum MCLK frequency) ⁽⁵⁾ (see Figure 5-1) | PMMCOREVx = 0, 1.8 V ≤ V _{CC} ≤ 3.6 V (default condition) | | 0 | 8.0 | MHz |
| | | PMMCOREVx = 1, 2.0 V ≤ V _{CC} ≤ 3.6 V | | 0 | 12.0 | |
| | | PMMCOREVx = 2, 2.2 V ≤ V _{CC} ≤ 3.6 V | | 0 | 20.0 | |
| | | PMMCOREVx = 3, 2.4 V ≤ V _{CC} ≤ 3.6 V | | 0 | 25.0 | |
| f _{SYSTEM_USB} | Minimum processor frequency for USB operation | 1.5 | | | MHz | |
| USB_wait | Wait state cycles during USB operation | 16 | | | cycles | |

(5) Modules may have a different maximum input clock specification. See the specification of the respective module in this data sheet.



NOTE: The numbers within the fields denote the supported PMMCOREVx settings.

Figure 5-1. Maximum System Frequency

5.4 Active Mode Supply Current Into V_{CC} Excluding External Current

over recommended operating free-air temperature (unless otherwise noted)⁽¹⁾ ⁽²⁾ ⁽³⁾

| PARAMETER | EXECUTION MEMORY | V_{CC} | PMMCOREVx | FREQUENCY ($f_{DCO} = f_{MCLK} = f_{SMCLK}$) | | | | | | | | | | UNIT |
|-----------------|------------------|----------|-----------|--|------|-------|------|--------|------|--------|------|--------|-----|------|
| | | | | 1 MHz | | 8 MHz | | 12 MHz | | 20 MHz | | 25 MHz | | |
| | | | | TYP | MAX | TYP | MAX | TYP | MAX | TYP | MAX | TYP | MAX | |
| $I_{AM, Flash}$ | Flash | 3 V | 0 | 0.25 | 0.27 | 1.55 | 1.68 | | | | | | | mA |
| | | | 1 | 0.28 | | 1.74 | | 2.58 | 2.78 | | | | | |
| | | | 2 | 0.30 | | 1.91 | | 2.84 | | 4.68 | 5.06 | | | |
| | | | 3 | 0.32 | | 2.09 | | 3.10 | | 5.13 | | 6.0 | 6.5 | |
| $I_{AM, RAM}$ | RAM | 3 V | 0 | 0.17 | 0.19 | 0.91 | 1.00 | | | | | | | mA |
| | | | 1 | 0.19 | | 1.03 | | 1.54 | 1.67 | | | | | |
| | | | 2 | 0.20 | | 1.16 | | 1.73 | | 2.84 | 3.11 | | | |
| | | | 3 | 0.21 | | 1.24 | | 1.87 | | 3.1 | | 3.9 | 4.3 | |

(1) All inputs are tied to 0 V or to V_{CC} . Outputs do not source or sink any current.

(2) The currents are characterized with a Micro Crystal MS1V-T1K crystal with a load capacitance of 12.5 pF. The internal and external load capacitance are chosen to closely match the required 12.5 pF.

(3) Characterized with program executing typical data processing. USB disabled ($VUSBEN = 0$, $SLDOEN = 0$).

$f_{ACLK} = 32786$ Hz, $f_{DCO} = f_{MCLK} = f_{SMCLK}$ at specified frequency.

$XTS = CPUOFF = SCG0 = SCG1 = OSCOFF = SMCLKOFF = 0$.

5.5 Low-Power Mode Supply Currents (Into V_{CC}) Excluding External Current

over recommended ranges of supply voltage and operating free-air temperature (unless otherwise noted)^{(1) (2)}

| PARAMETER | V_{CC} | PMMCOREVx | TEMPERATURE (T_A) | | | | | | | | UNIT | |
|---|----------|-----------|-----------------------|-----|------|------|------|-----|------|------|---------|---------|
| | | | -40°C | | 25°C | | 60°C | | 85°C | | | |
| | | | TYP | MAX | TYP | MAX | TYP | MAX | TYP | MAX | | |
| $I_{LPM0,1MHz}$ Low-power mode 0 ⁽³⁾⁽⁴⁾ | 2.2 V | 0 | 73 | | 77 | 85 | | 80 | | 85 | 97 | μA |
| | 3 V | 3 | 79 | | 83 | 92 | | 88 | | 95 | 105 | |
| I_{LPM2} Low-power mode 2 ⁽⁵⁾⁽⁴⁾ | 2.2 V | 0 | 6.5 | | 6.5 | 8 | | 7.5 | | 8 | 11 | μA |
| | 3 V | 3 | 7.0 | | 7.0 | 9 | | 7.9 | | 8.9 | 13 | |
| $I_{LPM3,XT1LF}$ Low-power mode 3, crystal mode ⁽⁶⁾⁽⁴⁾ | 2.2 V | 0 | 1.60 | | 1.90 | | 2.6 | | 3.4 | | | μA |
| | | 1 | 1.65 | | 2.00 | | 2.7 | | 3.6 | | | |
| | | 2 | 1.75 | | 2.15 | | 2.9 | | 3.8 | | | |
| | 3 V | 0 | 1.8 | | 2.1 | 2.6 | 2.8 | | 3.6 | 6.0 | | |
| | | 1 | 1.9 | | 2.3 | | 2.9 | | 3.8 | | | |
| | | 2 | 2.0 | | 2.4 | | 3.0 | | 4.0 | | | |
| $I_{LPM3,VLO}$ Low-power mode 3, VLO mode ⁽⁷⁾⁽⁴⁾ | 3 V | 0 | 1.1 | | 1.3 | 1.8 | 1.9 | | 2.7 | 5.0 | | |
| | | 1 | 1.1 | | 1.4 | | 2.0 | | 2.8 | | | |
| | | 2 | 1.2 | | 1.5 | | 2.1 | | 2.9 | | | |
| | | 3 | 1.3 | | 1.5 | 2.0 | 2.2 | | 3.0 | 5.5 | | |
| I_{LPM4} Low-power mode 4 ⁽⁸⁾⁽⁴⁾ | 3 V | 0 | 0.9 | | 1.1 | 1.5 | 1.8 | | 2.5 | 4.8 | | |
| | | 1 | 1.1 | | 1.2 | | 2.0 | | 2.6 | | | |
| | | 2 | 1.2 | | 1.2 | | 2.1 | | 2.7 | | | |
| | | 3 | 1.3 | | 1.3 | 1.6 | 2.2 | | 2.8 | 5.0 | | |
| $I_{LPM4.5}$ Low-power mode 4.5 ⁽⁹⁾ | 3 V | | 0.15 | | 0.18 | 0.35 | 0.26 | | 0.45 | 0.80 | μA | |

- (1) All inputs are tied to 0 V or to V_{CC} . Outputs do not source or sink any current.
- (2) The currents are characterized with a Micro Crystal MS1V-T1K crystal with a load capacitance of 12.5 pF. The internal and external load capacitance are chosen to closely match the required 12.5 pF.
- (3) Current for watchdog timer clocked by SMCLK included. ACLK = low-frequency crystal operation (XTS = 0, XT1DRIVEx = 0). CPUOFF = 1, SCG0 = 0, SCG1 = 0, OSCOFF = 0 (LPM0), f_{ACLK} = 32768 Hz, f_{MCLK} = 0 MHz, f_{SMCLK} = f_{DCO} = 1 MHz USB disabled (VUSBEN = 0, SLDOEN = 0).
- (4) Current for brownout, high-side supervisor (SVSH) normal mode included. Low-side supervisor (SVSL) and low-side monitor (SVM_L) disabled. High-side monitor (SVM_H) disabled. RAM retention enabled.
- (5) Current for watchdog timer and RTC clocked by ACLK included. ACLK = low-frequency crystal operation (XTS = 0, XT1DRIVEx = 0). CPUOFF = 1, SCG0 = 0, SCG1 = 1, OSCOFF = 0 (LPM2), f_{ACLK} = 32768 Hz, f_{MCLK} = 0 MHz, f_{SMCLK} = f_{DCO} = 0 MHz, DCO setting = 1 MHz operation, DCO bias generator enabled. USB disabled (VUSBEN = 0, SLDOEN = 0)
- (6) Current for watchdog timer and RTC clocked by ACLK included. ACLK = low-frequency crystal operation (XTS = 0, XT1DRIVEx = 0). CPUOFF = 1, SCG0 = 1, SCG1 = 1, OSCOFF = 0 (LPM3), f_{ACLK} = 32768 Hz, f_{MCLK} = f_{SMCLK} = f_{DCO} = 0 MHz USB disabled (VUSBEN = 0, SLDOEN = 0)
- (7) Current for watchdog timer and RTC clocked by ACLK included. ACLK = VLO. CPUOFF = 1, SCG0 = 1, SCG1 = 1, OSCOFF = 0 (LPM3), f_{ACLK} = f_{VLO} , f_{MCLK} = f_{SMCLK} = f_{DCO} = 0 MHz USB disabled (VUSBEN = 0, SLDOEN = 0)
- (8) CPUOFF = 1, SCG0 = 1, SCG1 = 1, OSCOFF = 1 (LPM4), f_{DCO} = f_{ACLK} = f_{MCLK} = f_{SMCLK} = 0 MHz USB disabled (VUSBEN = 0, SLDOEN = 0)
- (9) Internal regulator disabled. No data retention. CPUOFF = 1, SCG0 = 1, SCG1 = 1, OSCOFF = 1, PMMREGOFF = 1 (LPM4.5), f_{DCO} = f_{ACLK} = f_{MCLK} = f_{SMCLK} = 0 MHz

5.6 Thermal Resistance Characteristics

| | | VALUE ⁽¹⁾ | UNIT | |
|-----------------------|--|----------------------|------|------|
| θ_{JA} | Junction-to-ambient thermal resistance, still air ⁽²⁾ | VQFN (RGC) | 30 | °C/W |
| | | VQFN (RGZ) | 28.6 | |
| | | LQFP (PT) | 62.8 | |
| | | BGA (ZQE) | 55.5 | |
| $\theta_{JC(TOP)}$ | Junction-to-case (top) thermal resistance ⁽³⁾ | VQFN (RGC) | 15.6 | °C/W |
| | | VQFN (RGZ) | 14.4 | |
| | | LQFP (PT) | 18.2 | |
| | | BGA (ZQE) | 21.2 | |
| $\theta_{JC(BOTTOM)}$ | Junction-to-case (bottom) thermal resistance ⁽⁴⁾ | VQFN(RGC) | 1.6 | °C/W |
| | | VQFN (RGZ) | 1.6 | |
| | | LQFP (PT) | N/A | |
| | | BGA (ZQE) | N/A | |
| θ_{JB} | Junction-to-board thermal resistance ⁽⁵⁾ | VQFN (RGC) | 8.9 | °C/W |
| | | VQFN (RGZ) | 5.5 | |
| | | LQFP (PT) | 28.3 | |
| | | BGA (ZQE) | 19.3 | |

(1) N/A = not applicable

(2) The junction-to-ambient thermal resistance under natural convection is obtained in a simulation on a JEDEC-standard, High-K board, as specified in JESD51-7, in an environment described in JESD51-2a.

(3) The junction-to-case(top) thermal resistance is obtained by simulating a cold plate test on the package top. No specific JEDEC-standard test exists, but a close description can be found in the ANSI SEMI standard G30-88.

(4) The junction-to-case(bottom) thermal resistance is obtained by simulating a cold plate test on the exposed (power) pad. No specific JEDEC standard test exists, but a close description can be found in the ANSI SEMI standard G30-88.

(5) The junction-to-board thermal resistance is obtained by simulating in an environment with a ring cold plate fixture to control the PCB temperature, as described in JESD51-8.

5.7 Schmitt-Trigger Inputs – General-Purpose I/O ⁽¹⁾ (P1.0 to P1.7, P2.0 to P2.7, P3.0 to P3.4, P4.0 to P4.7) (P5.0 to P5.5, P6.0 to P6.7, PJ.0 to PJ.3, RST/NMI)

over recommended ranges of supply voltage and operating free-air temperature (unless otherwise noted)

| PARAMETER | | TEST CONDITIONS | V _{CC} | MIN | TYP | MAX | UNIT |
|-------------------|---|--|-----------------|------|-----|------|------|
| V _{IT+} | Positive-going input threshold voltage | | 1.8 V | 0.80 | | 1.40 | V |
| | | | 3 V | 1.50 | | 2.10 | |
| V _{IT-} | Negative-going input threshold voltage | | 1.8 V | 0.45 | | 1.00 | V |
| | | | 3 V | 0.75 | | 1.65 | |
| V _{hys} | Input voltage hysteresis (V _{IT+} – V _{IT-}) | | 1.8 V | 0.3 | | 0.85 | V |
| | | | 3 V | 0.4 | | 1.0 | |
| R _{Pull} | Pullup or pulldown resistor ⁽²⁾ | For pullup: V _{IN} = V _{SS} For pulldown: V _{IN} = V _{CC} | | 20 | 35 | 50 | kΩ |
| C _I | Input capacitance | V _{IN} = V _{SS} or V _{CC} | | | 5 | | pF |

- (1) Same parametrics apply to clock input pin when crystal bypass mode is used on XT1 (XIN) or XT2 (XT2IN).
- (2) Also applies to the RST pin when its pullup or pulldown resistor is enabled.

5.8 Inputs – Ports P1 and P2⁽¹⁾ (P1.0 to P1.7, P2.0 to P2.7)

over recommended ranges of supply voltage and operating free-air temperature (unless otherwise noted)

| PARAMETER | TEST CONDITIONS | V _{CC} | MIN | MAX | UNIT |
|--------------------|--|-----------------|-----|-----|------|
| t _(int) | External interrupt timing ⁽²⁾ Port P1, P2: P1.x to P2.x, External trigger pulse duration to set interrupt flag | 2.2 V, 3 V | 20 | | ns |

- (1) Some devices may contain additional ports with interrupts. See the block diagram and terminal function descriptions.
- (2) An external signal sets the interrupt flag every time the minimum interrupt pulse duration t_(int) is met. It may be set by trigger signals shorter than t_(int).

5.9 Leakage Current – General-Purpose I/O (P1.0 to P1.7, P2.0 to P2.7, P3.0 to P3.4, P4.0 to P4.7) (P5.0 to P5.5, P6.0 to P6.7, PJ.0 to PJ.3, RST/NMI)

over recommended ranges of supply voltage and operating free-air temperature (unless otherwise noted)

| PARAMETER | TEST CONDITIONS | V _{CC} | MIN | MAX | UNIT |
|------------------------|---|-----------------|-----|-----|------|
| I _{lkg(Px.y)} | High-impedance leakage current ⁽¹⁾ ⁽²⁾ | 1.8 V, 3 V | | ±50 | nA |

- (1) The leakage current is measured with V_{SS} or V_{CC} applied to the corresponding pins, unless otherwise noted.
- (2) The leakage of the digital port pins is measured individually. The port pin is selected for input and the pullup or pulldown resistor is disabled.

5.10 Outputs – General-Purpose I/O (Full Drive Strength) (P1.0 to P1.7, P2.0 to P2.7, P3.0 to P3.4, P4.0 to P4.7, P5.0 to P5.5, P6.0 to P6.7, PJ.0 to PJ.3)

over recommended ranges of supply voltage and operating free-air temperature (unless otherwise noted)

| PARAMETER | TEST CONDITIONS | V _{CC} | MIN | MAX | UNIT |
|-----------------|---|-----------------|--|------------------------|------|
| V _{OH} | I _(OHmax) = –3 mA ⁽¹⁾ | 1.8 V | V _{CC} – 0.25 | V _{CC} | V |
| | | | I _(OHmax) = –10 mA ⁽²⁾ | V _{CC} – 0.60 | |
| | I _(OHmax) = –5 mA ⁽¹⁾ | 3 V | V _{CC} – 0.25 | V _{CC} | |
| | | | I _(OHmax) = –15 mA ⁽²⁾ | V _{CC} – 0.60 | |
| V _{OL} | I _(OLmax) = 3 mA ⁽¹⁾ | 1.8 V | V _{SS} | V _{SS} + 0.25 | V |
| | | | I _(OLmax) = 10 mA ⁽²⁾ | V _{SS} | |
| | I _(OLmax) = 5 mA ⁽¹⁾ | 3 V | V _{SS} | V _{SS} + 0.25 | |
| | | | I _(OLmax) = 15 mA ⁽²⁾ | V _{SS} | |

- (1) The maximum total current, I_(OHmax) and I_(OLmax), for all outputs combined should not exceed ±48 mA to hold the maximum voltage drop specified.
- (2) The maximum total current, I_(OHmax) and I_(OLmax), for all outputs combined should not exceed ±100 mA to hold the maximum voltage drop specified.

5.11 Outputs – General-Purpose I/O (Reduced Drive Strength) (P1.0 to P1.7, P2.0 to P2.7, P3.0 to P3.4, P4.0 to P4.7, P5.0 to P5.5, P6.0 to P6.7, PJ.0 to PJ.3)

over recommended ranges of supply voltage and operating free-air temperature (unless otherwise noted)⁽¹⁾

| PARAMETER | | TEST CONDITIONS | V _{CC} | MIN | MAX | UNIT |
|-----------------|---------------------------|---|-----------------|------------------------|------------------------|------|
| V _{OH} | High-level output voltage | I _(OHmax) = -1 mA ⁽²⁾ | 1.8 V | V _{CC} - 0.25 | V _{CC} | V |
| | | I _(OHmax) = -3 mA ⁽³⁾ | | V _{CC} - 0.60 | V _{CC} | |
| | | I _(OHmax) = -2 mA ⁽²⁾ | 3 V | V _{CC} - 0.25 | V _{CC} | |
| | | I _(OHmax) = -6 mA ⁽³⁾ | | V _{CC} - 0.60 | V _{CC} | |
| V _{OL} | Low-level output voltage | I _(OLmax) = 1 mA ⁽²⁾ | 1.8 V | V _{SS} | V _{SS} + 0.25 | V |
| | | I _(OLmax) = 3 mA ⁽³⁾ | | V _{SS} | V _{SS} + 0.60 | |
| | | I _(OLmax) = 2 mA ⁽²⁾ | 3 V | V _{SS} | V _{SS} + 0.25 | |
| | | I _(OLmax) = 6 mA ⁽³⁾ | | V _{SS} | V _{SS} + 0.60 | |

(1) Selecting reduced drive strength may reduce EMI.

(2) The maximum total current, I_(OHmax) and I_(OLmax), for all outputs combined, should not exceed ±48 mA to hold the maximum voltage drop specified.

(3) The maximum total current, I_(OHmax) and I_(OLmax), for all outputs combined, should not exceed ±100 mA to hold the maximum voltage drop specified.

5.12 Output Frequency – General-Purpose I/O (P1.0 to P1.7, P2.0 to P2.7, P3.0 to P3.4, P4.0 to P4.7, P5.0 to P5.5, P6.0 to P6.7, PJ.0 to PJ.3)

over recommended ranges of supply voltage and operating free-air temperature (unless otherwise noted)

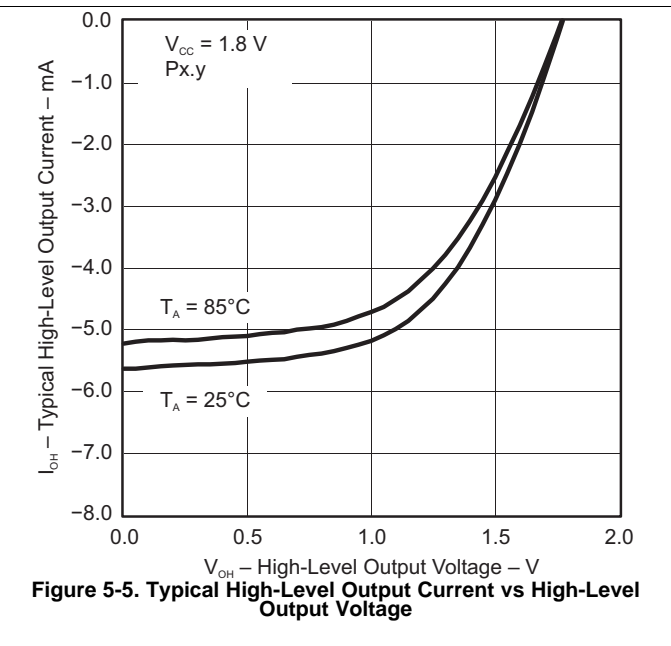
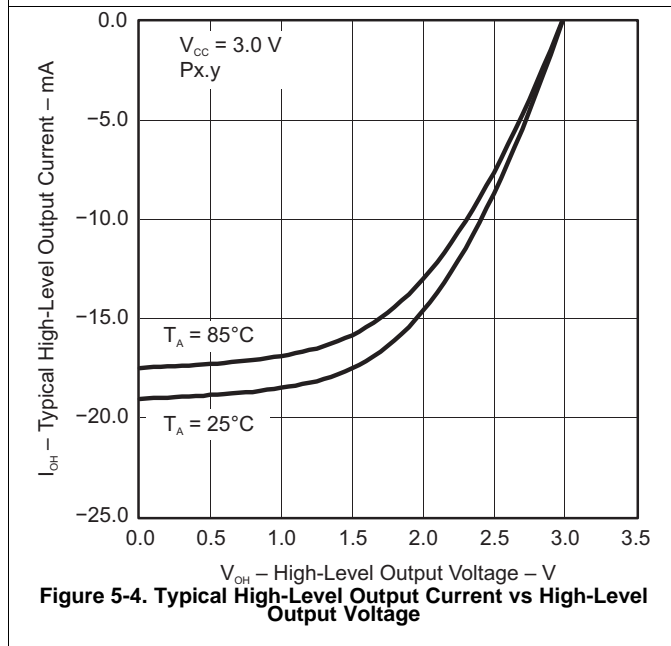
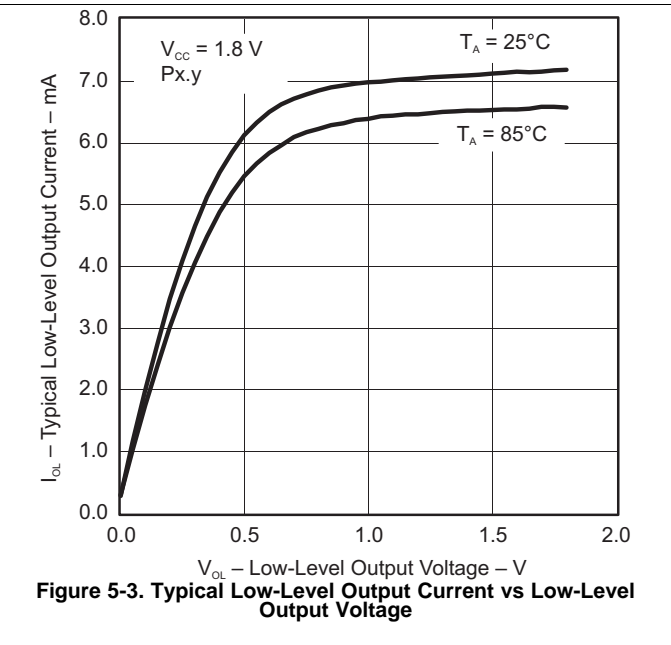
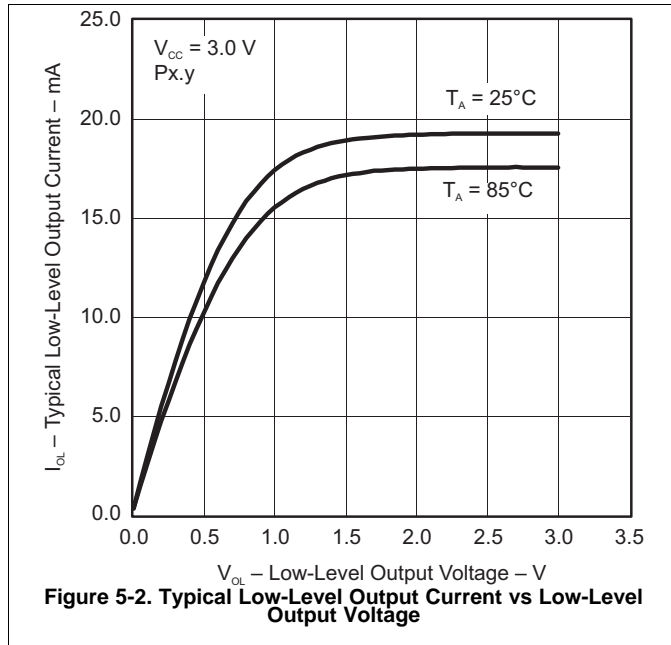
| PARAMETER | | TEST CONDITIONS | MIN | MAX | UNIT | |
|-----------------------|-----------------------------------|--|-----|--|------|-----|
| f _{Px,y} | Port output frequency (with load) | (1)(2)V _{CC} = 1.8 V PMMCOREVx = 0 | | 16 | MHz | |
| | | V _{CC} = 3 V PMMCOREVx = 3 | | 25 | | |
| f _{Port_CLK} | Clock output frequency | ACLK SMCLK MCLK C _L = 20 pF ⁽²⁾ | | V _{CC} = 1.8 V PMMCOREVx = 0 | 16 | MHz |
| | | | | V _{CC} = 3 V PMMCOREVx = 3 | 25 | |

(1) A resistive divider with 2 × R1 between V_{CC} and V_{SS} is used as load. The output is connected to the center tap of the divider. For full drive strength, R1 = 550 Ω. For reduced drive strength, R1 = 1.6 kΩ. C_L = 20 pF is connected to the output to V_{SS}.

(2) The output voltage reaches at least 10% and 90% V_{CC} at the specified toggle frequency.

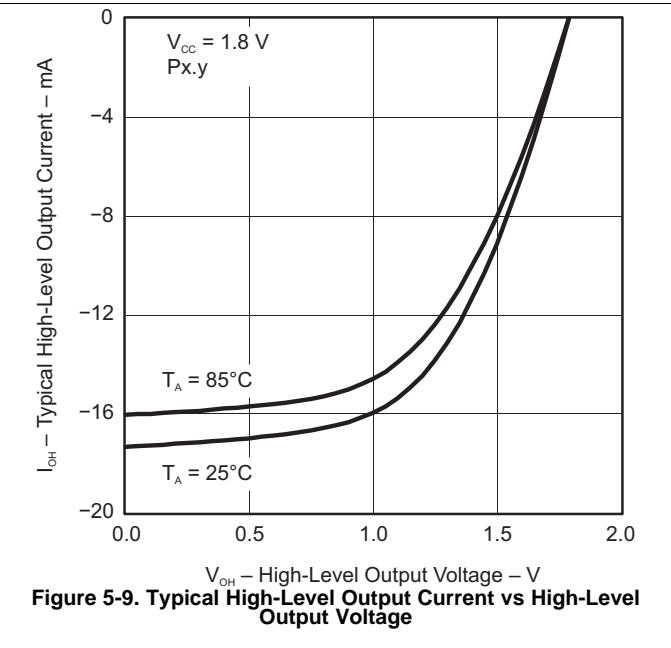
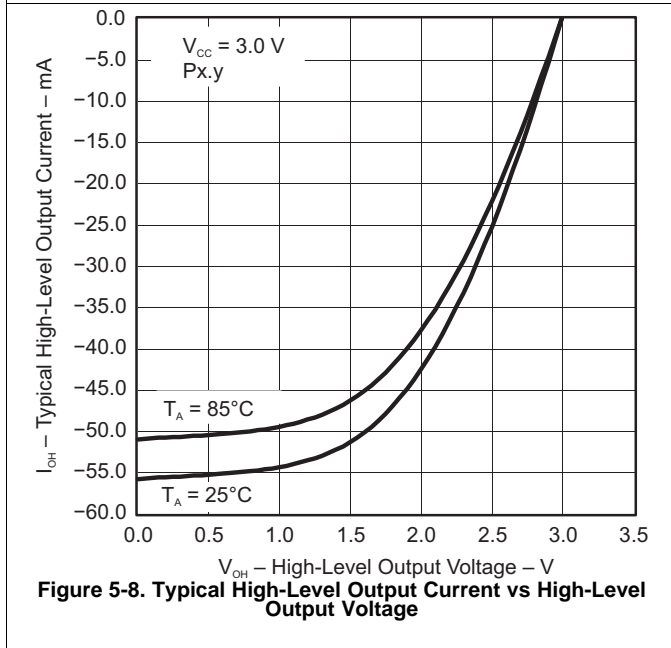
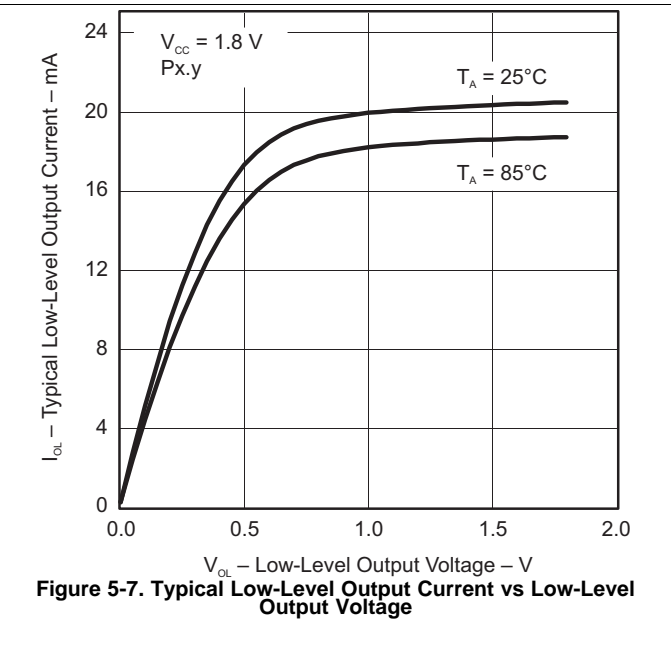
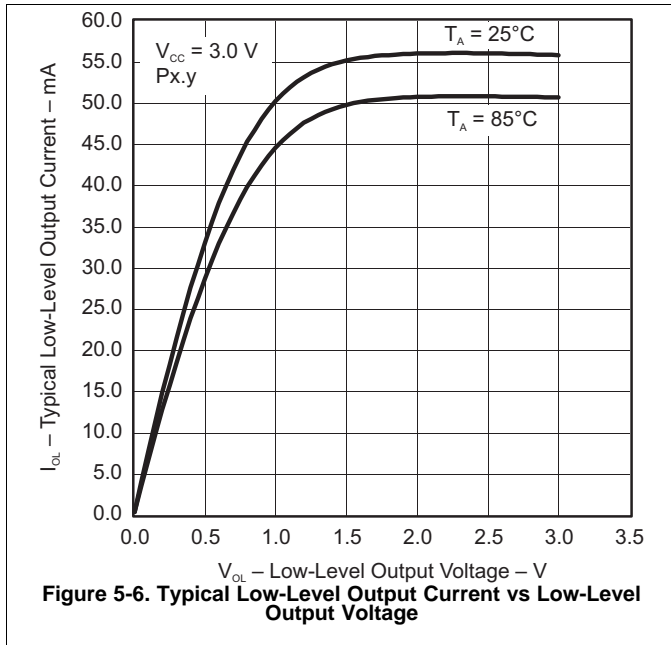
5.13 Typical Characteristics – Outputs, Reduced Drive Strength (PxDS.y = 0)

over recommended ranges of supply voltage and operating free-air temperature (unless otherwise noted)



5.14 Typical Characteristics – Outputs, Full Drive Strength (PxDS.y = 1)

over recommended ranges of supply voltage and operating free-air temperature (unless otherwise noted)



5.15 Crystal Oscillator, XT1, Low-Frequency Mode⁽¹⁾

over recommended ranges of supply voltage and operating free-air temperature (unless otherwise noted)

| PARAMETER | TEST CONDITIONS | V _{CC} | MIN | TYP | MAX | UNIT |
|--|--|-----------------|-------|--------|-----|------|
| $\Delta I_{DVCC,LF}$ Differential XT1 oscillator crystal current consumption from lowest drive setting, LF mode | $f_{OSC} = 32768$ Hz, XTS = 0, XT1BYPASS = 0, XT1DRIVE _x = 1, T _A = 25°C | 3 V | 0.075 | | μA | |
| | $f_{OSC} = 32768$ Hz, XTS = 0, XT1BYPASS = 0, XT1DRIVE _x = 2, T _A = 25°C | | 0.170 | | | |
| | $f_{OSC} = 32768$ Hz, XTS = 0, XT1BYPASS = 0, XT1DRIVE _x = 3, T _A = 25°C | | 0.290 | | | |
| $f_{XT1,LF0}$ XT1 oscillator crystal frequency, LF mode | XTS = 0, XT1BYPASS = 0 | | 32768 | | Hz | |
| $f_{XT1,LF,SW}$ XT1 oscillator logic-level square-wave input frequency, LF mode | XTS = 0, XT1BYPASS = 1 ⁽²⁾ ⁽³⁾ | | 10 | 32.768 | 50 | kHz |
| OA_{LF} Oscillation allowance for LF crystals ⁽⁴⁾ | XTS = 0, XT1BYPASS = 0, XT1DRIVE _x = 0, $f_{XT1,LF} = 32768$ Hz, C _{L,eff} = 6 pF | | 210 | | kΩ | |
| | XTS = 0, XT1BYPASS = 0, XT1DRIVE _x = 1, $f_{XT1,LF} = 32768$ Hz, C _{L,eff} = 12 pF | | 300 | | | |
| $C_{L,eff}$ Integrated effective load capacitance, LF mode ⁽⁵⁾ | XTS = 0, XCAP _x = 0 ⁽⁶⁾ | | 1 | | pF | |
| | XTS = 0, XCAP _x = 1 | | 5.5 | | | |
| | XTS = 0, XCAP _x = 2 | | 8.5 | | | |
| | XTS = 0, XCAP _x = 3 | | 12.0 | | | |
| Duty cycle, LF mode | XTS = 0, Measured at ACLK, $f_{XT1,LF} = 32768$ Hz | | 30% | 70% | | |
| $f_{Fault,LF}$ Oscillator fault frequency, LF mode ⁽⁷⁾ | XTS = 0 ⁽⁸⁾ | | 10 | 10000 | | Hz |
| $t_{START,LF}$ Start-up time, LF mode | $f_{OSC} = 32768$ Hz, XTS = 0, XT1BYPASS = 0, XT1DRIVE _x = 0, T _A = 25°C, C _{L,eff} = 6 pF | 3 V | 1000 | | ms | |
| | $f_{OSC} = 32768$ Hz, XTS = 0, XT1BYPASS = 0, XT1DRIVE _x = 3, T _A = 25°C, C _{L,eff} = 12 pF | | 500 | | | |

- (1) To improve EMI on the XT1 oscillator, the following guidelines should be observed.
 - Keep the trace between the device and the crystal as short as possible.
 - Design a good ground plane around the oscillator pins.
 - Prevent crosstalk from other clock or data lines into oscillator pins XIN and XOUT.
 - Avoid running PCB traces underneath or adjacent to the XIN and XOUT pins.
 - Use assembly materials and processes that avoid any parasitic load on the oscillator XIN and XOUT pins.
 - If conformal coating is used, make sure that it does not induce capacitive or resistive leakage between the oscillator pins.
- (2) When XT1BYPASS is set, XT1 circuits are automatically powered down. Input signal is a digital square wave with parametrics defined in the Schmitt-trigger Inputs section of this datasheet.
- (3) Maximum frequency of operation of the entire device cannot be exceeded.
- (4) Oscillation allowance is based on a safety factor of 5 for recommended crystals. The oscillation allowance is a function of the XT1DRIVE_x settings and the effective load. In general, comparable oscillator allowance can be achieved based on the following guidelines, but should be evaluated based on the actual crystal selected for the application:
 - For XT1DRIVE_x = 0, C_{L,eff} ≤ 6 pF
 - For XT1DRIVE_x = 1, 6 pF ≤ C_{L,eff} ≤ 9 pF
 - For XT1DRIVE_x = 2, 6 pF ≤ C_{L,eff} ≤ 10 pF
 - For XT1DRIVE_x = 3, C_{L,eff} ≥ 6 pF
- (5) Includes parasitic bond and package capacitance (approximately 2 pF per pin). Because the PCB adds additional capacitance, verify the correct load by measuring the ACLK frequency. For a correct setup, the effective load capacitance should always match the specification of the used crystal.
- (6) Requires external capacitors at both terminals. Values are specified by crystal manufacturers.
- (7) Frequencies below the MIN specification set the fault flag. Frequencies above the MAX specification do not set the fault flag. Frequencies between the MIN and MAX specifications might set the flag.
- (8) Measured with logic-level input frequency but also applies to operation with crystals.

5.16 Crystal Oscillator, XT2

over recommended ranges of supply voltage and operating free-air temperature (unless otherwise noted)^{(1) (2)}

| PARAMETER | | TEST CONDITIONS | V _{CC} | MIN | TYP | MAX | UNIT |
|------------------------|---|--|-----------------|-----|-----|-----|------|
| I _{DVCC,XT2} | XT2 oscillator crystal current consumption | f _{OSC} = 4 MHz, XT2OFF = 0, XT2BYPASS = 0, XT2DRIVE _x = 0, T _A = 25°C | 3 V | | 200 | | μA |
| | | f _{OSC} = 12 MHz, XT2OFF = 0, XT2BYPASS = 0, XT2DRIVE _x = 1, T _A = 25°C | | | 260 | | |
| | | f _{OSC} = 20 MHz, XT2OFF = 0, XT2BYPASS = 0, XT2DRIVE _x = 2, T _A = 25°C | | | 325 | | |
| | | f _{OSC} = 32 MHz, XT2OFF = 0, XT2BYPASS = 0, XT2DRIVE _x = 3, T _A = 25°C | | | 450 | | |
| f _{XT2,HF0} | XT2 oscillator crystal frequency, mode 0 | XT2DRIVE _x = 0, XT2BYPASS = 0 ⁽³⁾ | | 4 | | 8 | MHz |
| f _{XT2,HF1} | XT2 oscillator crystal frequency, mode 1 | XT2DRIVE _x = 1, XT2BYPASS = 0 ⁽³⁾ | | 8 | | 16 | MHz |
| f _{XT2,HF2} | XT2 oscillator crystal frequency, mode 2 | XT2DRIVE _x = 2, XT2BYPASS = 0 ⁽³⁾ | | 16 | | 24 | MHz |
| f _{XT2,HF3} | XT2 oscillator crystal frequency, mode 3 | XT2DRIVE _x = 3, XT2BYPASS = 0 ⁽³⁾ | | 24 | | 32 | MHz |
| f _{XT2,HF,SW} | XT2 oscillator logic-level square-wave input frequency, bypass mode | XT2BYPASS = 1 ^{(4) (3)} | | 0.7 | | 32 | MHz |
| O _{AHF} | Oscillation allowance for HF crystals ⁽⁵⁾ | XT2DRIVE _x = 0, XT2BYPASS = 0, f _{XT2,HF0} = 6 MHz, C _{L,eff} = 15 pF | | | 450 | | Ω |
| | | XT2DRIVE _x = 1, XT2BYPASS = 0, f _{XT2,HF1} = 12 MHz, C _{L,eff} = 15 pF | | | 320 | | |
| | | XT2DRIVE _x = 2, XT2BYPASS = 0, f _{XT2,HF2} = 20 MHz, C _{L,eff} = 15 pF | | | 200 | | |
| | | XT2DRIVE _x = 3, XT2BYPASS = 0, f _{XT2,HF3} = 32 MHz, C _{L,eff} = 15 pF | | | 200 | | |
| t _{START,HF} | Start-up time | f _{OSC} = 6 MHz, XT2BYPASS = 0, XT2DRIVE _x = 0, T _A = 25°C, C _{L,eff} = 15 pF | 3 V | | 0.5 | | ms |
| | | f _{OSC} = 20 MHz, XT2BYPASS = 0, XT2DRIVE _x = 2, T _A = 25°C, C _{L,eff} = 15 pF | | | | 0.3 | |
| C _{L,eff} | Integrated effective load capacitance, HF mode ^{(6) (1)} | | | | 1 | | pF |
| | Duty cycle | Measured at ACLK, f _{XT2,HF2} = 20 MHz | | 40% | 50% | 60% | |
| f _{Fault,HF} | Oscillator fault frequency ⁽⁷⁾ | XT2BYPASS = 1 ⁽⁸⁾ | | 30 | | 300 | kHz |

(1) Requires external capacitors at both terminals. Values are specified by crystal manufacturers.

(2) To improve EMI on the XT2 oscillator the following guidelines should be observed.

- Keep the traces between the device and the crystal as short as possible.
- Design a good ground plane around the oscillator pins.
- Prevent crosstalk from other clock or data lines into oscillator pins XT2IN and XT2OUT.
- Avoid running PCB traces underneath or adjacent to the XT2IN and XT2OUT pins.
- Use assembly materials and processes that avoid any parasitic load on the oscillator XT2IN and XT2OUT pins.
- If conformal coating is used, make sure that it does not induce capacitive or resistive leakage between the oscillator pins.

(3) This represents the maximum frequency that can be input to the device externally. Maximum frequency achievable on the device operation is based on the frequencies present on ACLK, MCLK, and SMCLK cannot be exceed for a given range of operation.

(4) When XT2BYPASS is set, the XT2 circuit is automatically powered down. Input signal is a digital square wave with parametrics defined in the Schmitt-trigger Inputs section of this datasheet.

(5) Oscillation allowance is based on a safety factor of 5 for recommended crystals.

(6) Includes parasitic bond and package capacitance (approximately 2 pF per pin).

Because the PCB adds additional capacitance, verify the correct load by measuring the ACLK frequency. For a correct setup, the effective load capacitance should always match the specification of the used crystal.

(7) Frequencies below the MIN specification set the fault flag. Frequencies above the MAX specification do not set the fault flag.

Frequencies between the MIN and MAX specifications might set the flag.

(8) Measured with logic-level input frequency but also applies to operation with crystals.

5.17 Internal Very-Low-Power Low-Frequency Oscillator (VLO)

over recommended ranges of supply voltage and operating free-air temperature (unless otherwise noted)

| PARAMETER | | TEST CONDITIONS | V _{CC} | MIN | TYP | MAX | UNIT |
|-------------------------------------|------------------------------------|---------------------------------|-----------------|-----|-----|-----|------|
| f _{VLO} | VLO frequency | Measured at ACLK | 1.8 V to 3.6 V | 6 | 9.4 | 14 | kHz |
| df _{VLO} /dT | VLO frequency temperature drift | Measured at ACLK ⁽¹⁾ | 1.8 V to 3.6 V | | 0.5 | | %/°C |
| df _{VLO} /dV _{CC} | VLO frequency supply voltage drift | Measured at ACLK ⁽²⁾ | 1.8 V to 3.6 V | | 4 | | %/V |
| | Duty cycle | Measured at ACLK | 1.8 V to 3.6 V | 40% | 50% | 60% | |

(1) Calculated using the box method: (MAX(−40°C to 85°C) – MIN(−40°C to 85°C)) / MIN(−40°C to 85°C) / (85°C – (−40°C))

(2) Calculated using the box method: (MAX(1.8 V to 3.6 V) – MIN(1.8 V to 3.6 V)) / MIN(1.8 V to 3.6 V) / (3.6 V – 1.8 V)

5.18 Internal Reference, Low-Frequency Oscillator (REFO)

over recommended ranges of supply voltage and operating free-air temperature (unless otherwise noted)

| PARAMETER | | TEST CONDITIONS | V _{CC} | MIN | TYP | MAX | UNIT |
|--------------------------------------|-------------------------------------|---------------------------------|-----------------|-----|-------|-------|------|
| I _{REFO} | REFO oscillator current consumption | T _A = 25°C | 1.8 V to 3.6 V | | 3 | | μA |
| | REFO frequency calibrated | Measured at ACLK | 1.8 V to 3.6 V | | 32768 | | Hz |
| f _{REFO} | REFO absolute tolerance calibrated | Full temperature range | 1.8 V to 3.6 V | | | ±3.5% | |
| | | T _A = 25°C | 3 V | | | ±1.5% | |
| df _{REFO} /dT | REFO frequency temperature drift | Measured at ACLK ⁽¹⁾ | 1.8 V to 3.6 V | | 0.01 | | %/°C |
| df _{REFO} /dV _{CC} | REFO frequency supply voltage drift | Measured at ACLK ⁽²⁾ | 1.8 V to 3.6 V | | 1.0 | | %/V |
| | Duty cycle | Measured at ACLK | 1.8 V to 3.6 V | 40% | 50% | 60% | |
| t _{START} | REFO start-up time | 40%/60% duty cycle | 1.8 V to 3.6 V | | 25 | | μs |

(1) Calculated using the box method: (MAX(−40°C to 85°C) – MIN(−40°C to 85°C)) / MIN(−40°C to 85°C) / (85°C – (−40°C))

(2) Calculated using the box method: (MAX(1.8 V to 3.6 V) – MIN(1.8 V to 3.6 V)) / MIN(1.8 V to 3.6 V) / (3.6 V – 1.8 V)

5.19 DCO Frequency

over recommended ranges of supply voltage and operating free-air temperature (unless otherwise noted)

| PARAMETER | | TEST CONDITIONS | MIN | TYP | MAX | UNIT |
|--------------------|--|--|------|-----|------|-------|
| $f_{DCO(0,0)}$ | DCO frequency (0, 0) ⁽¹⁾ | DCORSELx = 0, DCOx = 0, MODx = 0 | 0.07 | | 0.20 | MHz |
| $f_{DCO(0,31)}$ | DCO frequency (0, 31) ⁽¹⁾ | DCORSELx = 0, DCOx = 31, MODx = 0 | 0.70 | | 1.70 | MHz |
| $f_{DCO(1,0)}$ | DCO frequency (1, 0) ⁽¹⁾ | DCORSELx = 1, DCOx = 0, MODx = 0 | 0.15 | | 0.36 | MHz |
| $f_{DCO(1,31)}$ | DCO frequency (1, 31) ⁽¹⁾ | DCORSELx = 1, DCOx = 31, MODx = 0 | 1.47 | | 3.45 | MHz |
| $f_{DCO(2,0)}$ | DCO frequency (2, 0) ⁽¹⁾ | DCORSELx = 2, DCOx = 0, MODx = 0 | 0.32 | | 0.75 | MHz |
| $f_{DCO(2,31)}$ | DCO frequency (2, 31) ⁽¹⁾ | DCORSELx = 2, DCOx = 31, MODx = 0 | 3.17 | | 7.38 | MHz |
| $f_{DCO(3,0)}$ | DCO frequency (3, 0) ⁽¹⁾ | DCORSELx = 3, DCOx = 0, MODx = 0 | 0.64 | | 1.51 | MHz |
| $f_{DCO(3,31)}$ | DCO frequency (3, 31) ⁽¹⁾ | DCORSELx = 3, DCOx = 31, MODx = 0 | 6.07 | | 14.0 | MHz |
| $f_{DCO(4,0)}$ | DCO frequency (4, 0) ⁽¹⁾ | DCORSELx = 4, DCOx = 0, MODx = 0 | 1.3 | | 3.2 | MHz |
| $f_{DCO(4,31)}$ | DCO frequency (4, 31) ⁽¹⁾ | DCORSELx = 4, DCOx = 31, MODx = 0 | 12.3 | | 28.2 | MHz |
| $f_{DCO(5,0)}$ | DCO frequency (5, 0) ⁽¹⁾ | DCORSELx = 5, DCOx = 0, MODx = 0 | 2.5 | | 6.0 | MHz |
| $f_{DCO(5,31)}$ | DCO frequency (5, 31) ⁽¹⁾ | DCORSELx = 5, DCOx = 31, MODx = 0 | 23.7 | | 54.1 | MHz |
| $f_{DCO(6,0)}$ | DCO frequency (6, 0) ⁽¹⁾ | DCORSELx = 6, DCOx = 0, MODx = 0 | 4.6 | | 10.7 | MHz |
| $f_{DCO(6,31)}$ | DCO frequency (6, 31) ⁽¹⁾ | DCORSELx = 6, DCOx = 31, MODx = 0 | 39.0 | | 88.0 | MHz |
| $f_{DCO(7,0)}$ | DCO frequency (7, 0) ⁽¹⁾ | DCORSELx = 7, DCOx = 0, MODx = 0 | 8.5 | | 19.6 | MHz |
| $f_{DCO(7,31)}$ | DCO frequency (7, 31) ⁽¹⁾ | DCORSELx = 7, DCOx = 31, MODx = 0 | 60 | | 135 | MHz |
| $S_{DCORSEL}$ | Frequency step between range DCORSEL and DCORSEL + 1 | $S_{RSEL} = f_{DCO(DCORSEL+1,DCO)} / f_{DCO(DCORSEL,DCO)}$ | 1.2 | | 2.3 | ratio |
| S_{DCO} | Frequency step between tap DCO and DCO + 1 | $S_{DCO} = f_{DCO(DCORSEL,DCO+1)} / f_{DCO(DCORSEL,DCO)}$ | 1.02 | | 1.12 | ratio |
| | Duty cycle | Measured at SMCLK | 40% | 50% | 60% | |
| df_{DCO}/dT | DCO frequency temperature drift ⁽²⁾ | $f_{DCO} = 1$ MHz, | | 0.1 | | %/°C |
| df_{DCO}/dV_{CC} | DCO frequency voltage drift ⁽³⁾ | $f_{DCO} = 1$ MHz | | 1.9 | | %/V |

- When selecting the proper DCO frequency range (DCORSELx), the target DCO frequency, f_{DCO} , should be set to reside within the range of $f_{DCO(n,0),MAX} \leq f_{DCO} \leq f_{DCO(n,31),MIN}$, where $f_{DCO(n,0),MAX}$ represents the maximum frequency specified for the DCO frequency, range n, tap 0 (DCOx = 0) and $f_{DCO(n,31),MIN}$ represents the minimum frequency specified for the DCO frequency, range n, tap 31 (DCOx = 31). This ensures that the target DCO frequency resides within the range selected. It should also be noted that if the actual f_{DCO} frequency for the selected range causes the FLL or the application to select tap 0 or 31, the DCO fault flag is set to report that the selected range is at its minimum or maximum tap setting.
- Calculated using the box method: $(MAX(-40^{\circ}C \text{ to } 85^{\circ}C) - MIN(-40^{\circ}C \text{ to } 85^{\circ}C)) / MIN(-40^{\circ}C \text{ to } 85^{\circ}C) / (85^{\circ}C - (-40^{\circ}C))$
- Calculated using the box method: $(MAX(1.8 \text{ V to } 3.6 \text{ V}) - MIN(1.8 \text{ V to } 3.6 \text{ V})) / MIN(1.8 \text{ V to } 3.6 \text{ V}) / (3.6 \text{ V} - 1.8 \text{ V})$



Figure 5-10. Typical DCO Frequency

5.20 PMM, Brownout Reset (BOR)

over recommended ranges of supply voltage and operating free-air temperature (unless otherwise noted)

| PARAMETER | | TEST CONDITIONS | MIN | TYP | MAX | UNIT |
|------------------------|--|---------------------------------|------|------|------|------|
| $V_{(DVCC_BOR_IT-)}$ | BOR _H on voltage, DV _{CC} falling level | $ dDV_{CC}/dt < 3 \text{ V/s}$ | | | 1.45 | V |
| $V_{(DVCC_BOR_IT+)}$ | BOR _H off voltage, DV _{CC} rising level | $ dDV_{CC}/dt < 3 \text{ V/s}$ | 0.80 | 1.30 | 1.50 | V |
| $V_{(DVCC_BOR_hys)}$ | BOR _H hysteresis | | 50 | | 250 | mV |
| t_{RESET} | Pulse duration required at $\overline{\text{RST/NMI}}$ pin to accept a reset | | 2 | | | μs |

5.21 PMM, Core Voltage

over recommended ranges of supply voltage and operating free-air temperature (unless otherwise noted)

| PARAMETER | | TEST CONDITIONS | MIN | TYP | MAX | UNIT |
|-------------------------|--|---|-----|------|-----|------|
| $V_{\text{CORE3(AM)}}$ | Core voltage, active mode, PMMCOREV = 3 | $2.4 \text{ V} \leq DV_{CC} \leq 3.6 \text{ V}$ | | 1.90 | | V |
| $V_{\text{CORE2(AM)}}$ | Core voltage, active mode, PMMCOREV = 2 | $2.2 \text{ V} \leq DV_{CC} \leq 3.6 \text{ V}$ | | 1.80 | | V |
| $V_{\text{CORE1(AM)}}$ | Core voltage, active mode, PMMCOREV = 1 | $2.0 \text{ V} \leq DV_{CC} \leq 3.6 \text{ V}$ | | 1.60 | | V |
| $V_{\text{CORE0(AM)}}$ | Core voltage, active mode, PMMCOREV = 0 | $1.8 \text{ V} \leq DV_{CC} \leq 3.6 \text{ V}$ | | 1.40 | | V |
| $V_{\text{CORE3(LPM)}}$ | Core voltage, low-current mode, PMMCOREV = 3 | $2.4 \text{ V} \leq DV_{CC} \leq 3.6 \text{ V}$ | | 1.94 | | V |
| $V_{\text{CORE2(LPM)}}$ | Core voltage, low-current mode, PMMCOREV = 2 | $2.2 \text{ V} \leq DV_{CC} \leq 3.6 \text{ V}$ | | 1.84 | | V |
| $V_{\text{CORE1(LPM)}}$ | Core voltage, low-current mode, PMMCOREV = 1 | $2.0 \text{ V} \leq DV_{CC} \leq 3.6 \text{ V}$ | | 1.64 | | V |
| $V_{\text{CORE0(LPM)}}$ | Core voltage, low-current mode, PMMCOREV = 0 | $1.8 \text{ V} \leq DV_{CC} \leq 3.6 \text{ V}$ | | 1.44 | | V |

5.22 PMM, SVS High Side

over recommended ranges of supply voltage and operating free-air temperature (unless otherwise noted)

| PARAMETER | | TEST CONDITIONS | MIN | TYP | MAX | UNIT |
|------------------------|---|--|------|------|------|------|
| $I_{(SVSH)}$ | SVS current consumption | SVSHE = 0, DV _{CC} = 3.6 V | | 0 | | nA |
| | | SVSHE = 1, DV _{CC} = 3.6 V, SVSHFP = 0 | | 200 | | |
| | | SVSHE = 1, DV _{CC} = 3.6 V, SVSHFP = 1 | | 1.5 | | μA |
| $V_{(SVSH_IT-)}$ | SVS _H on voltage level ⁽¹⁾ | SVSHE = 1, SVSHRVL = 0 | 1.57 | 1.68 | 1.78 | V |
| | | SVSHE = 1, SVSHRVL = 1 | 1.79 | 1.88 | 1.98 | |
| | | SVSHE = 1, SVSHRVL = 2 | 1.98 | 2.08 | 2.21 | |
| | | SVSHE = 1, SVSHRVL = 3 | 2.10 | 2.18 | 2.31 | |
| $V_{(SVSH_IT+)}$ | SVS _H off voltage level ⁽¹⁾ | SVSHE = 1, SVSMHRRL = 0 | 1.62 | 1.74 | 1.85 | V |
| | | SVSHE = 1, SVSMHRRL = 1 | 1.88 | 1.94 | 2.07 | |
| | | SVSHE = 1, SVSMHRRL = 2 | 2.07 | 2.14 | 2.28 | |
| | | SVSHE = 1, SVSMHRRL = 3 | 2.20 | 2.30 | 2.42 | |
| | | SVSHE = 1, SVSMHRRL = 4 | 2.32 | 2.40 | 2.55 | |
| | | SVSHE = 1, SVSMHRRL = 5 | 2.52 | 2.70 | 2.88 | |
| | | SVSHE = 1, SVSMHRRL = 6 | 2.90 | 3.10 | 3.23 | |
| | | SVSHE = 1, SVSMHRRL = 7 | 2.90 | 3.10 | 3.23 | |
| $t_{pd(SVSH)}$ | SVS _H propagation delay | SVSHE = 1, dV _{DVCC} /dt = 10 mV/μs, SVSHFP = 1 | | 2.5 | | μs |
| | | SVSHE = 1, dV _{DVCC} /dt = 1 mV/μs, SVSHFP = 0 | | 20 | | |
| $t_{(SVSH)}$ | SVS _H on or off delay time | SVSHE = 0 → 1, SVSHFP = 1 | | 12.5 | | μs |
| | | SVSHE = 0 → 1, SVSHFP = 0 | | 100 | | |
| dV _{DVCC} /dt | DVCC rise time | | 0 | | 1000 | V/s |

(1) The SVS_H settings available depend on the V_{CORE} (PMMCOREV_x) setting. See the *Power Management Module and Supply Voltage Supervisor* chapter in the [MSP430F5xx and MSP430F6xx Family User's Guide](#) on recommended settings and use.

5.23 PMM, SVM High Side

over recommended ranges of supply voltage and operating free-air temperature (unless otherwise noted)

| PARAMETER | | TEST CONDITIONS | MIN | TYP | MAX | UNIT |
|----------------|---|--|------|------|------|------|
| $I_{(SVMH)}$ | SVM _H current consumption | SVMHE = 0, DV _{CC} = 3.6 V | | 0 | | nA |
| | | SVMHE = 1, DV _{CC} = 3.6 V, SVMHFP = 0 | | 200 | | |
| | | SVMHE = 1, DV _{CC} = 3.6 V, SVMHFP = 1 | | 1.5 | | μA |
| $V_{(SVMH)}$ | SVM _H on or off voltage level ⁽¹⁾ | SVMHE = 1, SVSMHRRL = 0 | 1.62 | 1.74 | 1.85 | V |
| | | SVMHE = 1, SVSMHRRL = 1 | 1.88 | 1.94 | 2.07 | |
| | | SVMHE = 1, SVSMHRRL = 2 | 2.07 | 2.14 | 2.28 | |
| | | SVMHE = 1, SVSMHRRL = 3 | 2.20 | 2.30 | 2.42 | |
| | | SVMHE = 1, SVSMHRRL = 4 | 2.32 | 2.40 | 2.55 | |
| | | SVMHE = 1, SVSMHRRL = 5 | 2.52 | 2.70 | 2.88 | |
| | | SVMHE = 1, SVSMHRRL = 6 | 2.90 | 3.10 | 3.23 | |
| | | SVMHE = 1, SVSMHRRL = 7 | 2.90 | 3.10 | 3.23 | |
| $t_{pd(SVMH)}$ | SVM _H propagation delay | SVMHE = 1, dV _{DVCC} /dt = 10 mV/μs, SVMHFP = 1 | | 2.5 | | μs |
| | | SVMHE = 1, dV _{DVCC} /dt = 1 mV/μs, SVMHFP = 0 | | 20 | | |
| $t_{(SVMH)}$ | SVM _H on or off delay time | SVMHE = 0 → 1, SVMHFP = 1 | | 12.5 | | μs |
| | | SVMHE = 0 → 1, SVMHFP = 0 | | 100 | | |

(1) The SVM_H settings available depend on the V_{CORE} (PMMCOREV_x) setting. See the *Power Management Module and Supply Voltage Supervisor* chapter in the *MSP430F5xx and MSP430F6xx Family User's Guide* on recommended settings and use.

5.24 PMM, SVS Low Side

over recommended ranges of supply voltage and operating free-air temperature (unless otherwise noted)

| PARAMETER | | TEST CONDITIONS | MIN | TYP | MAX | UNIT |
|----------------|---------------------------------------|--|-----|------|-----|------|
| $I_{(SVSL)}$ | SVS _L current consumption | SVSLE = 0, PMMCOREV = 2 | | 0 | | nA |
| | | SVSLE = 1, PMMCOREV = 2, SVSLFP = 0 | | 200 | | |
| | | SVSLE = 1, PMMCOREV = 2, SVSLFP = 1 | | 2.0 | | μA |
| $t_{pd(SVSL)}$ | SVS _L propagation delay | SVSLE = 1, dV _{CORE} /dt = 10 mV/μs, SVSLFP = 1 | | 2.5 | | μs |
| | | SVSLE = 1, dV _{CORE} /dt = 1 mV/μs, SVSLFP = 0 | | 20 | | |
| $t_{(SVSL)}$ | SVS _L on or off delay time | SVSLE = 0 → 1, SVSLFP = 1 | | 12.5 | | μs |
| | | SVSLE = 0 → 1, SVSLFP = 0 | | 100 | | |

5.25 PMM, SVM Low Side

over recommended ranges of supply voltage and operating free-air temperature (unless otherwise noted)

| PARAMETER | | TEST CONDITIONS | MIN | TYP | MAX | UNIT |
|----------------|---------------------------------------|---|------|-----|-----|------|
| $I_{(SVML)}$ | SVM _L current consumption | SVMLE = 0, PMMCOREV = 2 | 0 | | | nA |
| | | SVMLE = 1, PMMCOREV = 2, SVMLFPP = 0 | 200 | | | |
| | | SVMLE = 1, PMMCOREV = 2, SVMLFPP = 1 | 1.5 | | | μA |
| $t_{pd(SVML)}$ | SVM _L propagation delay | SVMLE = 1, $dV_{CORE}/dt = 10 \text{ mV}/\mu\text{s}$, SVMLFPP = 1 | 2.5 | | | μs |
| | | SVMLE = 1, $dV_{CORE}/dt = 1 \text{ mV}/\mu\text{s}$, SVMLFPP = 0 | 20 | | | |
| $t_{(SVML)}$ | SVM _L on or off delay time | SVMLE = 0 → 1, SVMLFPP = 1 | 12.5 | | | μs |
| | | SVMLE = 0 → 1, SVMLFPP = 0 | 100 | | | |

5.26 Wake-up Times From Low-Power Modes and Reset

over recommended ranges of supply voltage and operating free-air temperature (unless otherwise noted)

| PARAMETER | | TEST CONDITIONS | MIN | TYP | MAX | UNIT |
|----------------------------|--|--|--|-----|-----|------|
| $t_{\text{WAKE-UP-FAST}}$ | Wake-up time from LPM2, LPM3, or LPM4 to active mode ⁽¹⁾ | PMMCOREV = SVSMLRRL = n (where n = 0, 1, 2, or 3), SVSLFPP = 1 | $f_{\text{MCLK}} \geq 4.0 \text{ MHz}$ | | | 5 |
| | | | $f_{\text{MCLK}} < 4.0 \text{ MHz}$ | | | 6 |
| $t_{\text{WAKE-UP-SLOW}}$ | Wake-up time from LPM2, LPM3, or LPM4 to active mode ⁽²⁾⁽³⁾ | PMMCOREV = SVSMLRRL = n (where n = 0, 1, 2, or 3), SVSLFPP = 0 | 150 | 165 | | μs |
| $t_{\text{WAKE-UP-LPM5}}$ | Wake-up time from LPM4.5 to active mode ⁽⁴⁾ | | 2 | 3 | | ms |
| $t_{\text{WAKE-UP-RESET}}$ | Wake-up time from $\overline{\text{RST}}$ or BOR event to active mode ⁽⁴⁾ | | 2 | 3 | | ms |

- (1) This value represents the time from the wake-up event to the first active edge of MCLK. The wake-up time depends on the performance mode of the low-side supervisor (SVS_L) and low-side monitor (SVM_L). $t_{\text{WAKE-UP-FAST}}$ is possible with SVS_L and SVM_L in full performance mode or disabled. For specific register settings, see the *Low-Side SVS and SVM Control and Performance Mode Selection* section in the *Power Management Module and Supply Voltage Supervisor* chapter of the *MSP430F5xx and MSP430F6xx Family User's Guide*.
- (2) This value represents the time from the wake-up event to the first active edge of MCLK. The wake-up time depends on the performance mode of the low-side supervisor (SVS_L) and low-side monitor (SVM_L). $t_{\text{WAKE-UP-SLOW}}$ is set with SVS_L and SVM_L in normal mode (low current mode). For specific register settings, see the *Low-Side SVS and SVM Control and Performance Mode Selection* section in the *Power Management Module and Supply Voltage Supervisor* chapter of the *MSP430F5xx and MSP430F6xx Family User's Guide*.
- (3) The wake-up times from LPM0 and LPM1 to AM are not specified. They are proportional to MCLK cycle time but are not affected by the performance mode settings as for LPM2, LPM3, and LPM4.
- (4) This value represents the time from the wake-up event to the reset vector execution.

5.27 Timer_A

over recommended ranges of supply voltage and operating free-air temperature (unless otherwise noted)

| PARAMETER | | TEST CONDITIONS | V _{CC} | MIN | MAX | UNIT |
|---------------------|-------------------------------|---|-----------------|-----|-----|------|
| f_{TA} | Timer_A input clock frequency | Internal: SMCLK or ACLK, External: TACLK, Duty cycle = 50% ±10% | 1.8 V, 3 V | | 25 | MHz |
| $t_{\text{TA,cap}}$ | Timer_A capture timing | All capture inputs, Minimum pulse duration required for capture. | 1.8 V, 3 V | 20 | | ns |

5.28 Timer_B

over recommended ranges of supply voltage and operating free-air temperature (unless otherwise noted)

| PARAMETER | | TEST CONDITIONS | V _{CC} | MIN | MAX | UNIT |
|---------------------|-------------------------------|---|-----------------|-----|-----|------|
| f_{TB} | Timer_B input clock frequency | Internal: SMCLK or ACLK, External: TBCLK, Duty cycle = 50% ±10% | 1.8 V, 3 V | | 25 | MHz |
| $t_{\text{TB,cap}}$ | Timer_B capture timing | All capture inputs, Minimum pulse duration required for capture | 1.8 V, 3 V | 20 | | ns |

5.29 USCI (UART Mode) Clock Frequency

over recommended ranges of supply voltage and operating free-air temperature (unless otherwise noted)

| PARAMETER | | TEST CONDITIONS | MIN | MAX | UNIT |
|---------------------|--|--|-----|---------------------|------|
| f _{USCI} | USCI input clock frequency | Internal: SMCLK or ACLK, External: UCLK, Duty cycle = 50% ±10% | | f _{SYSTEM} | MHz |
| f _{BITCLK} | BITCLK clock frequency (equals baud rate in Mbaud) | | | 1 | MHz |

5.30 USCI (UART Mode)

over recommended ranges of supply voltage and operating free-air temperature (unless otherwise noted)

| PARAMETER | | V _{CC} | MIN | MAX | UNIT |
|----------------|---|-----------------|-----|-----|------|
| t _r | UART receive deglitch time ⁽¹⁾ | 2.2 V | 50 | 600 | ns |
| | | 3 V | 50 | 600 | |

(1) Pulses on the UART receive input (UCxRX) shorter than the UART receive deglitch time are suppressed. To ensure that pulses are correctly recognized, their duration should exceed the maximum specification of the deglitch time.

5.31 USCI (SPI Master Mode) Clock Frequency

over recommended ranges of supply voltage and operating free-air temperature (unless otherwise noted)

| PARAMETER | | CONDITIONS | MIN | MAX | UNIT |
|-------------------|----------------------------|---|-----|---------------------|------|
| f _{USCI} | USCI input clock frequency | Internal: SMCLK or ACLK, Duty cycle = 50% ±10% | | f _{SYSTEM} | MHz |

5.32 USCI (SPI Master Mode)

over recommended ranges of supply voltage and operating free-air temperature (unless otherwise noted)⁽¹⁾

(see [Figure 5-11](#) and [Figure 5-12](#))

| PARAMETER | | TEST CONDITIONS | V _{CC} | MIN | MAX | UNIT |
|-----------------------|--|--|-----------------|-----|---------------------|------|
| f _{USCI} | USCI input clock frequency | SMCLK, ACLK Duty cycle = 50% ±10% | | | f _{SYSTEM} | MHz |
| t _{SU,MI} | SOMI input data setup time | PMMCOREV = 0 | 1.8 V | 55 | ns | |
| | | | 3 V | 38 | | |
| | | PMMCOREV = 3 | 2.4 V | 30 | | |
| | | | 3 V | 25 | | |
| t _{HD,MI} | SOMI input data hold time | PMMCOREV = 0 | 1.8 V | 0 | ns | |
| | | | 3 V | 0 | | |
| | | PMMCOREV = 3 | 2.4 V | 0 | | |
| | | | 3 V | 0 | | |
| t _{VALID,MO} | SIMO output data valid time ⁽²⁾ | UCLK edge to SIMO valid, C _L = 20 pF, PMMCOREV = 0 | 1.8 V | 20 | ns | |
| | | | 3 V | 18 | | |
| | | UCLK edge to SIMO valid, C _L = 20 pF, PMMCOREV = 3 | 2.4 V | 16 | | |
| | | | 3 V | 15 | | |
| t _{HD,MO} | SIMO output data hold time ⁽³⁾ | C _L = 20 pF, PMMCOREV = 0 | 1.8 V | -10 | ns | |
| | | | 3 V | -8 | | |
| | | C _L = 20 pF, PMMCOREV = 3 | 2.4 V | -10 | | |
| | | | 3 V | -8 | | |

(1) f_{UCxCLK} = 1/2t_{LO/HI} with t_{LO/HI} ≥ max(t_{VALID,MO(USCI)} + t_{SU,SI(Slave)}, t_{SU,MI(USCI)} + t_{VALID,SO(Slave)})

For the slave parameters t_{SU,SI(Slave)} and t_{VALID,SO(Slave)}, see the SPI parameters of the attached slave.

(2) Specifies the time to drive the next valid data to the SIMO output after the output changing UCLK clock edge. See the timing diagrams in [Figure 5-11](#) and [Figure 5-12](#).

(3) Specifies how long data on the SIMO output is valid after the output changing UCLK clock edge. Negative values indicate that the data on the SIMO output can become invalid before the output changing clock edge observed on UCLK. See the timing diagrams in [Figure 5-11](#) and [Figure 5-12](#).

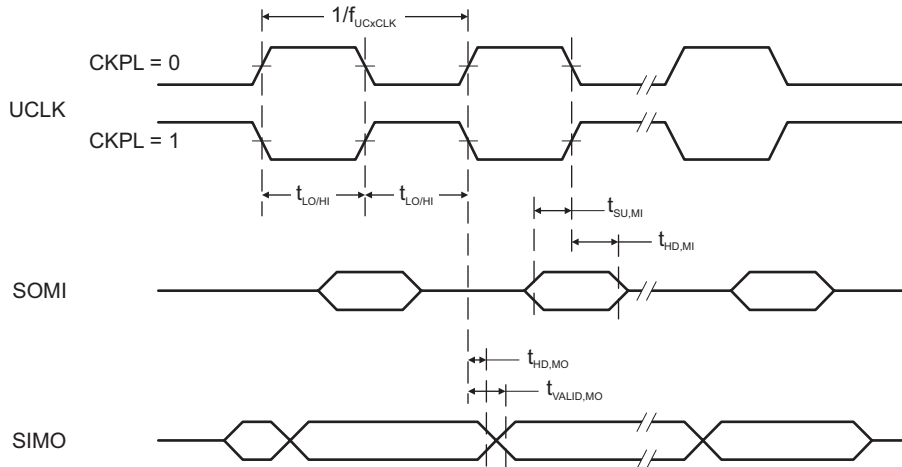


Figure 5-11. SPI Master Mode, CKPH = 0

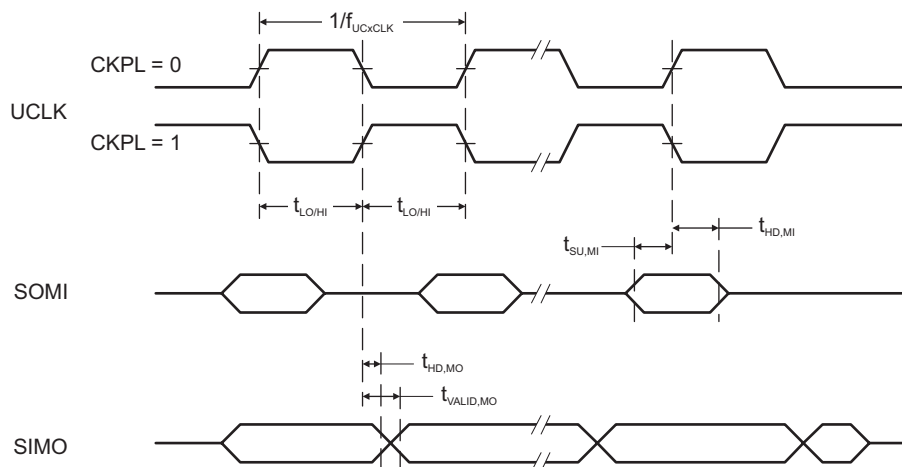


Figure 5-12. SPI Master Mode, CKPH = 1

5.33 USCI (SPI Slave Mode)

over recommended ranges of supply voltage and operating free-air temperature (unless otherwise noted)⁽¹⁾
(see [Figure 5-13](#) and [Figure 5-14](#))

| PARAMETER | | TEST CONDITIONS | V _{CC} | MIN | MAX | UNIT |
|-----------------------|---|---|-----------------|-----|-----|------|
| t _{STE,LEAD} | STE lead time, STE low to clock | PMMCOREV = 0 | 1.8 V | 11 | ns | |
| | | | 3 V | 8 | | |
| | | PMMCOREV = 3 | 2.4 V | 7 | | |
| | | | 3 V | 6 | | |
| t _{STE,LAG} | STE lag time, Last clock to STE high | PMMCOREV = 0 | 1.8 V | 3 | ns | |
| | | | 3 V | 3 | | |
| | | PMMCOREV = 3 | 2.4 V | 3 | | |
| | | | 3 V | 3 | | |
| t _{STE,ACC} | STE access time, STE low to SOMI data out | PMMCOREV = 0 | 1.8 V | 66 | ns | |
| | | | 3 V | 50 | | |
| | | PMMCOREV = 3 | 2.4 V | 36 | | |
| | | | 3 V | 30 | | |
| t _{STE,DIS} | STE disable time, STE high to SOMI high impedance | PMMCOREV = 0 | 1.8 V | 30 | ns | |
| | | | 3 V | 23 | | |
| | | PMMCOREV = 3 | 2.4 V | 16 | | |
| | | | 3 V | 13 | | |
| t _{SU,SI} | SIMO input data setup time | PMMCOREV = 0 | 1.8 V | 5 | ns | |
| | | | 3 V | 5 | | |
| | | PMMCOREV = 3 | 2.4 V | 2 | | |
| | | | 3 V | 2 | | |
| t _{HD,SI} | SIMO input data hold time | PMMCOREV = 0 | 1.8 V | 5 | ns | |
| | | | 3 V | 5 | | |
| | | PMMCOREV = 3 | 2.4 V | 5 | | |
| | | | 3 V | 5 | | |
| t _{VALID,SO} | SOMI output data valid time ⁽²⁾ | UCLK edge to SOMI valid, C _L = 20 pF, PMMCOREV = 0 | 1.8 V | 76 | ns | |
| | | | 3 V | 60 | | |
| | | UCLK edge to SOMI valid, C _L = 20 pF, PMMCOREV = 3 | 2.4 V | 44 | | |
| | | | 3 V | 40 | | |
| t _{HD,SO} | SOMI output data hold time ⁽³⁾ | C _L = 20 pF, PMMCOREV = 0 | 1.8 V | 18 | ns | |
| | | | 3 V | 12 | | |
| | | C _L = 20 pF, PMMCOREV = 3 | 2.4 V | 10 | | |
| | | | 3 V | 8 | | |

- (1) $f_{UCxCLK} = 1/2t_{LO/HI}$ with $t_{LO/HI} \geq \max(t_{VALID,MO(Master)} + t_{SU,SI(USCI)}, t_{SU,MI(Master)} + t_{VALID,SO(USCI)})$
For the master parameters $t_{SU,MI(Master)}$ and $t_{VALID,MO(Master)}$, see the SPI parameters of the attached master.
- (2) Specifies the time to drive the next valid data to the SOMI output after the output changing UCLK clock edge. See the timing diagrams in [Figure 5-13](#) and [Figure 5-14](#).
- (3) Specifies how long data on the SOMI output is valid after the output changing UCLK clock edge. See the timing diagrams in [Figure 5-13](#) and [Figure 5-14](#).

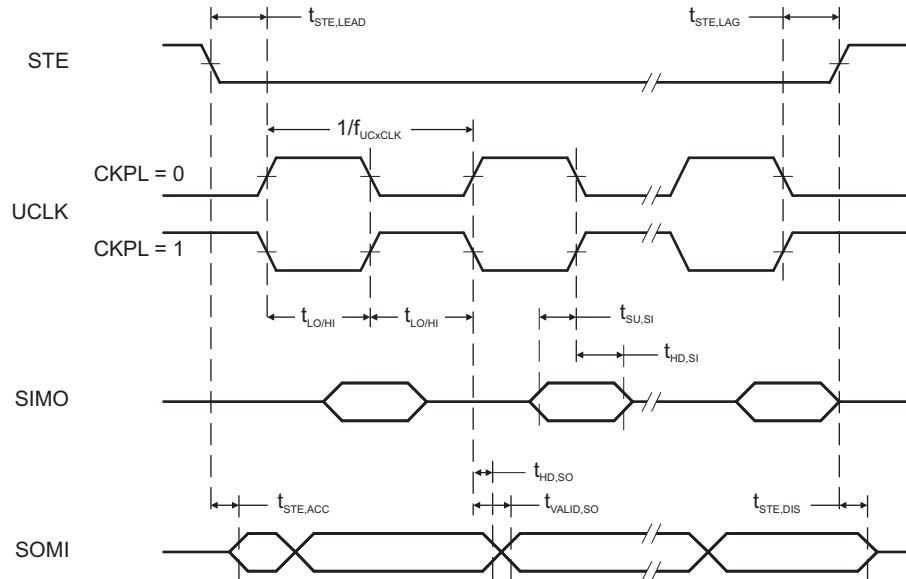


Figure 5-13. SPI Slave Mode, CKPH = 0

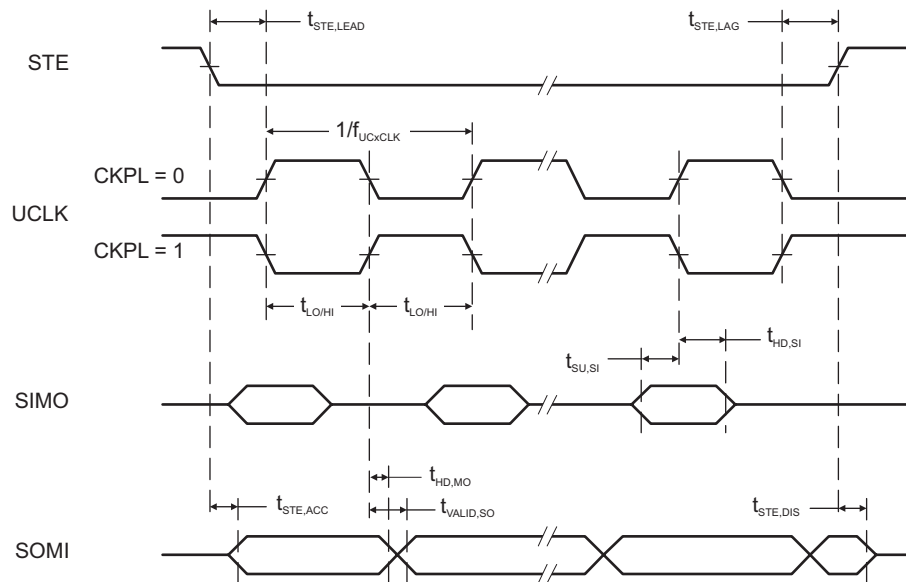


Figure 5-14. SPI Slave Mode, CKPH = 1

5.34 USCI (I²C Mode)

over recommended ranges of supply voltage and operating free-air temperature (unless otherwise noted) (see [Figure 5-15](#))

| PARAMETER | | TEST CONDITIONS | V _{CC} | MIN | MAX | UNIT |
|---------------------|---|---|-----------------|---------------------|-----|------|
| f _{USCI} | USCI input clock frequency | Internal: SMCLK or ACLK, External: UCLK Duty cycle = 50% ±10% | | f _{SYSTEM} | | MHz |
| f _{SCL} | SCL clock frequency | | 2.2 V, 3 V | 0 | 400 | kHz |
| t _{HD,STA} | Hold time (repeated) START | f _{SCL} ≤ 100 kHz | 2.2 V, 3 V | 4.0 | | μs |
| | | f _{SCL} > 100 kHz | | 0.6 | | |
| t _{SU,STA} | Setup time for a repeated START | f _{SCL} ≤ 100 kHz | 2.2 V, 3 V | 4.7 | | μs |
| | | f _{SCL} > 100 kHz | | 0.6 | | |
| t _{HD,DAT} | Data hold time | | 2.2 V, 3 V | 0 | | ns |
| t _{SU,DAT} | Data setup time | | 2.2 V, 3 V | 250 | | ns |
| t _{SU,STO} | Setup time for STOP | f _{SCL} ≤ 100 kHz | 2.2 V, 3 V | 4.0 | | μs |
| | | f _{SCL} > 100 kHz | | 0.6 | | |
| t _{SP} | Pulse duration of spikes suppressed by input filter | | 2.2 V | 50 | 600 | ns |
| | | | 3 V | 50 | 600 | |

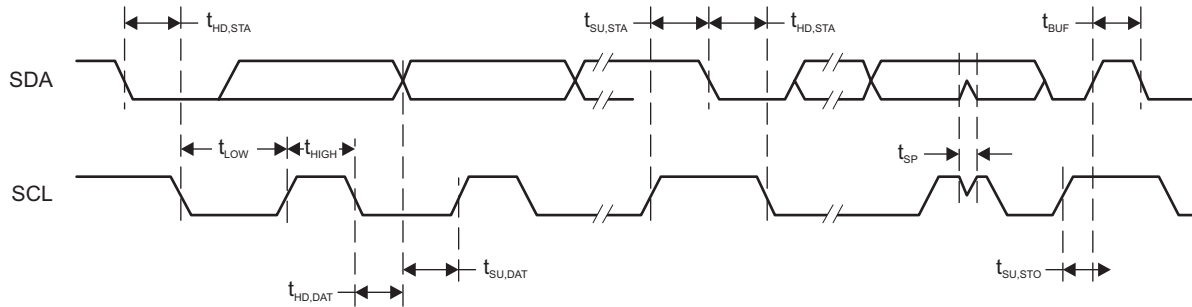


Figure 5-15. I²C Mode Timing

5.35 10-Bit ADC, Power Supply and Input Range Conditions

over recommended ranges of supply voltage and operating free-air temperature (unless otherwise noted)⁽¹⁾

| PARAMETER | | TEST CONDITIONS | V _{CC} | MIN | TYP | MAX | UNIT |
|---|---|---|-----------------|-----|-----|------------------|------|
| AV _{CC} | Analog supply voltage | AV _{CC} and DV _{CC} are connected together, AV _{SS} and DV _{SS} are connected together, V _(AVSS) = V _(DVSS) = 0 V | | 1.8 | | 3.6 | V |
| V _(Ax) | Analog input voltage range ⁽²⁾ | All ADC10_A pins: P1.0 to P1.5 and P3.6 and P3.7 terminals | | 0 | | AV _{CC} | V |
| I _{ADC10_A} | Operating supply current into AV _{CC} terminal, REF module and reference buffer off | f _{ADC10CLK} = 5 MHz, ADC10ON = 1, REFON = 0, SHT0 = 0, SHT1 = 0, ADC10DIV = 0, ADC10SREF = 00 | 2.2 V | | 60 | 100 | μA |
| | | | 3 V | | 75 | 110 | |
| | Operating supply current into AV _{CC} terminal, REF module on, reference buffer on | f _{ADC10CLK} = 5 MHz, ADC10ON = 1, REFON = 1, SHT0 = 0, SHT1 = 0, ADC10DIV = 0, ADC10SREF = 01 | 3 V | | 113 | 150 | |
| | | f _{ADC10CLK} = 5 MHz, ADC10ON = 1, REFON = 0, SHT0 = 0, SHT1 = 0, ADC10DIV = 0, ADC10SREF = 10, VREF = 2.5 V | 3 V | | 105 | 140 | |
| Operating supply current into AV _{CC} terminal, REF module off, reference buffer off | f _{ADC10CLK} = 5 MHz, ADC10ON = 1, REFON = 0, SHT0 = 0, SHT1 = 0, ADC10DIV = 0, ADC10SREF = 11, VREF = 2.5 V | 3 V | | 70 | 110 | | |
| | | | | | | | |
| C _I | Input capacitance | Only one terminal Ax can be selected at one time from the pad to the ADC10_A capacitor array including wiring and pad. | 2.2 V | | 3.5 | | pF |
| R _I | Input MUX ON resistance | AV _{CC} > 2.0 V, 0 V ≤ V _{Ax} ≤ AV _{CC} | | | | 36 | kΩ |
| | | 1.8 V < AV _{CC} < 2.0 V, 0 V ≤ V _{Ax} ≤ AV _{CC} | | | | 96 | |

(1) The leakage current is defined in the leakage current table with P6.x/Ax parameter.

(2) The analog input voltage range must be within the selected reference voltage range V_{R+} to V_{R-} for valid conversion results. The external reference voltage requires decoupling capacitors. Two decoupling capacitors, 10 μF and 100 nF, should be connected to VeREF to decouple the dynamic current required for an external reference source if it is used for the ADC10_A. Also see the [MSP430F5xx and MSP430F6xx Family User's Guide](#).

5.36 10-Bit ADC, Timing Parameters

over recommended ranges of supply voltage and operating free-air temperature (unless otherwise noted)

| PARAMETER | | TEST CONDITIONS | V _{CC} | MIN | TYP | MAX | UNIT |
|-----------------------|--|---|-----------------|------|-----------------------------------|-----|------|
| f _{ADC10CLK} | | For specified performance of ADC10_A linearity parameters | 2.2 V, 3 V | 0.45 | 5 | 5.5 | MHz |
| f _{ADC10OSC} | Internal ADC10_A oscillator ⁽¹⁾ | ADC10DIV = 0, f _{ADC10CLK} = f _{ADC10OSC} | 2.2 V, 3 V | 4.2 | 4.8 | 5.4 | MHz |
| t _{CONVERT} | Conversion time | REFON = 0, Internal oscillator, 12 ADC10CLK cycles, 10-bit mode, f _{ADC10OSC} = 4 MHz to 5 MHz | 2.2 V, 3 V | 2.4 | | 3.0 | μs |
| | | External f _{ADC10CLK} from ACLK, MCLK, or SMCLK, ADC10SSEL ≠ 0 | | | 12 × 1 / f _{ADC10CLK} | | |
| t _{ADC10ON} | Turn-on settling time of the ADC | See ⁽²⁾ | | | | 100 | ns |
| t _{Sample} | Sampling time | R _S = 1000 Ω, R _I = 96 kΩ, C _I = 3.5 pF ⁽³⁾ | 1.8 V | 3 | | | μs |
| | | R _S = 1000 Ω, R _I = 36 kΩ, C _I = 3.5 pF ⁽³⁾ | 3 V | 1 | | | |

(1) The ADC10OSC is sourced directly from MODOSC in the UCS.

(2) The condition is that the error in a conversion started after t_{ADC10ON} is less than ±0.5 LSB. The reference and input signal are already settled.

(3) Approximately 8 Tau (τ) are required for an error of less than ±0.5 LSB

5.37 10-Bit ADC, Linearity Parameters

over recommended ranges of supply voltage and operating free-air temperature (unless otherwise noted)

| PARAMETER | | TEST CONDITIONS | V _{CC} | MIN | TYP | MAX | UNIT |
|----------------|------------------------------|--|-----------------|------|-----|-----|------|
| E _I | Integral linearity error | 1.4 V ≤ (V _{eREF+} – V _{eREF-}) ≤ 1.6 V, C _{VeREF+} = 20 pF | 2.2 V, 3 V | | | | ±1.0 |
| | | 1.6 V < (V _{eREF+} – V _{eREF-}) ≤ V _{AVCC} , C _{VeREF+} = 20 pF | | | | | ±1.0 |
| E _D | Differential linearity error | 1.4 V ≤ (V _{eREF+} – V _{eREF-}), C _{VeREF+} = 20 pF | 2.2 V, 3 V | | | | ±1.0 |
| E _O | Offset error | 1.4 V ≤ (V _{eREF+} – V _{eREF-}), C _{VeREF+} = 20 pF, Internal impedance of source R _S < 100 Ω | 2.2 V, 3 V | | | | ±1.0 |
| E _G | Gain error | 1.4 V ≤ (V _{eREF+} – V _{eREF-}), C _{VeREF+} = 20 pF, ADC10SREFX = 11b | 2.2 V, 3 V | | | | ±1.0 |
| E _T | Total unadjusted error | 1.4 V ≤ (V _{eREF+} – V _{eREF-}), C _{VeREF+} = 20 pF, ADC10SREFX = 11b | 2.2 V, 3 V | ±1.0 | | | ±2.0 |

5.38 REF, External Reference

over recommended ranges of supply voltage and operating free-air temperature (unless otherwise noted)⁽¹⁾

| PARAMETER | | TEST CONDITIONS | V _{CC} | MIN | TYP | MAX | UNIT |
|--|---|---|-----------------|------|-----|-----|------|
| V _{eREF+} | Positive external reference voltage input | V _{eREF+} > V _{eREF-} ⁽²⁾ | | 1.4 | | | V |
| V _{eREF-} | Negative external reference voltage input | V _{eREF+} > V _{eREF-} ⁽³⁾ | | 0 | | | 1.2 |
| (V _{eREF+} – V _{eREF-}) | Differential external reference voltage input | V _{eREF+} > V _{eREF-} ⁽⁴⁾ | | 1.4 | | | V |
| I _{VeREF+} I _{VeREF-} | Static input current | 1.4 V ≤ V _{eREF+} ≤ V _{AVCC} , V _{eREF-} = 0 V, f _{ADC10CLK} = 5 MHz, ADC10SHTX = 0x0001, Conversion rate 200 kpsps | 2.2 V, 3 V | ±8.5 | | ±26 | μA |
| | | 1.4 V ≤ V _{eREF+} ≤ V _{AVCC} , V _{eREF-} = 0 V, f _{ADC10CLK} = 5 MHz, ADC10SHTX = 0x1000, Conversion rate 20 kpsps | 2.2 V, 3 V | | | ±1 | |
| C _{VeREF+/-} | Capacitance at VeREF+ or VeREF- terminal | ⁽⁵⁾ | | 10 | | | μF |

- (1) The external reference is used during ADC conversion to charge and discharge the capacitance array. The input capacitance, C_I, is also the dynamic load for an external reference during conversion. The dynamic impedance of the reference supply should follow the recommendations on analog-source impedance to allow the charge to settle for 10-bit accuracy.
- (2) The accuracy limits the minimum positive external reference voltage. Lower reference voltage levels may be applied with reduced accuracy requirements.
- (3) The accuracy limits the maximum negative external reference voltage. Higher reference voltage levels may be applied with reduced accuracy requirements.
- (4) The accuracy limits minimum external differential reference voltage. Lower differential reference voltage levels may be applied with reduced accuracy requirements.
- (5) Two decoupling capacitors, 10 μF and 100 nF, should be connected to VeREF to decouple the dynamic current required for an external reference source if it is used for the ADC10_A. Also see the [MSP430F5xx and MSP430F6xx Family User's Guide](#).

5.39 REF, Built-In Reference

over recommended ranges of supply voltage and operating free-air temperature (unless otherwise noted)⁽¹⁾

| PARAMETER | | TEST CONDITIONS | V _{CC} | MIN | TYP | MAX | UNIT |
|-----------------------------|--|---|-----------------|------|-------|------|--------|
| V _{REF+} | Positive built-in reference voltage | REFVSEL = {2} for 2.5 V, REFON = 1 | 3 V | 2.51 | ±1.5% | | V |
| | | REFVSEL = {1} for 2.0 V, REFON = 1 | 3 V | 1.99 | ±1.5% | | |
| | | REFVSEL = {0} for 1.5 V, REFON = 1 | 2.2 V, 3 V | 1.5 | ±1.5% | | |
| AV _{CC(min)} | AV _{CC} minimum voltage, Positive built-in reference active | REFVSEL = {0} for 1.5 V | | 1.8 | | | V |
| | | REFVSEL = {1} for 2.0 V | | 2.2 | | | |
| | | REFVSEL = {2} for 2.5 V | | 2.7 | | | |
| I _{REF+} | Operating supply current into AV _{CC} terminal ⁽²⁾ | f _{ADC10CLK} = 5.0 MHz, REFON = 1, REFBURST = 0, REFVSEL = {2} for 2.5 V | 3 V | 18 | 24 | | μA |
| | | f _{ADC10CLK} = 5.0 MHz, REFON = 1, REFBURST = 0, REFVSEL = {1} for 2.0 V | 3 V | 15.5 | 21 | | |
| | | f _{ADC10CLK} = 5.0 MHz, REFON = 1, REFBURST = 0, REFVSEL = {0} for 1.5 V | 3 V | 13.5 | 21 | | |
| TC _{REF+} | Temperature coefficient of built-in reference ⁽³⁾ | I _{VREF+} = 0 A, REFVSEL = {0, 1, 2}, REFON = 1 | | 30 | 50 | | ppm/°C |
| I _{SENSOR} | Operating supply current into AV _{CC} terminal ⁽⁴⁾ | REFON = 0, INCH = 0Ah, ADC10ON = N/A, T _A = 30°C | 2.2 V | 20 | 22 | | μA |
| | | | 3 V | 20 | 22 | | |
| V _{SENSOR} | See ⁽⁵⁾ | ADC10ON = 1, INCH = 0Ah, T _A = 30°C | 2.2 V | 770 | | | mV |
| | | | 3 V | 770 | | | |
| V _{MID} | AV _{CC} divider at channel 11 | ADC10ON = 1, INCH = 0Bh, V _{MID} ≈ 0.5 × V _{AVCC} | 2.2 V | 1.06 | 1.1 | 1.14 | V |
| | | | 3 V | 1.46 | 1.5 | 1.54 | |
| t _{SENSOR(sample)} | Sample time required if channel 10 is selected ⁽⁶⁾ | ADC10ON = 1, INCH = 0Ah, Error of conversion result ≤ 1 LSB | | 30 | | | μs |
| t _{VMID(sample)} | Sample time required if channel 11 is selected ⁽⁷⁾ | ADC10ON = 1, INCH = 0Bh, Error of conversion result ≤ 1 LSB | | 1 | | | μs |
| PSRR _{DC} | Power supply rejection ratio (DC) | AV _{CC} = AV _{CC(min)} to AV _{CC(max)} , T _A = 25°C, REFVSEL = {0, 1, 2}, REFON = 1 | | 120 | | | μV/V |
| PSRR _{AC} | Power supply rejection ratio (AC) | AV _{CC} = AV _{CC(min)} to AV _{CC(max)} , T _A = 25°C, f = 1 kHz, ΔV _{pp} = 100 mV, REFVSEL = {0, 1, 2}, REFON = 1 | | 6.4 | | | mV/V |
| t _{SETTLE} | Settling time of reference voltage ⁽⁸⁾ | AV _{CC} = AV _{CC(min)} to AV _{CC(max)} , REFVSEL = {0, 1, 2}, REFON = 0 → 1 | | 75 | | | μs |

(1) The leakage current is defined in the leakage current table with P6.x/Ax parameter.

(2) The internal reference current is supplied from terminal AV_{CC}. Consumption is independent of the ADC10ON control bit, unless a conversion is active. The REFON bit enables to settle the built-in reference before starting an A/D conversion.

(3) Calculated using the box method: (MAX(−40°C to 85°C) − MIN(−40°C to 85°C)) / MIN(−40°C to 85°C)/(85°C − (−40°C)).

(4) The sensor current I_{SENSOR} is consumed if (ADC10ON = 1 and REFON = 1) or (ADC10ON = 1 and INCH = 0Ah and sample signal is high). When REFON = 1, I_{SENSOR} is already included in I_{REF+}.

(5) The temperature sensor offset can be significant. TI recommends a single-point calibration to minimize the offset error of the built-in temperature sensor.

(6) The typical equivalent impedance of the sensor is 51 kΩ. The sample time required includes the sensor on-time t_{SENSOR(on)}.

(7) The on-time t_{VMID(on)} is included in the sampling time t_{VMID(sample)}; no additional on time is needed.

(8) The condition is that the error in a conversion started after t_{REFON} is less than ±0.5 LSB.

5.40 Comparator B

over recommended ranges of supply voltage and operating free-air temperature (unless otherwise noted)

| PARAMETER | TEST CONDITIONS | V _{CC} | MIN | TYP | MAX | UNIT | | |
|------------------------|---|---|------------|-----|----------------------------------|--------------------------------|----------------------------------|---|
| V _{CC} | Supply voltage | | 1.8 | | 3.6 | V | | |
| I _{AVCC_COMP} | Comparator operating supply current into AVCC, Excludes reference resistor ladder | 1.8 V | 2.2 V | 3 V | 40 | μA | | |
| | | | | | 30 | | | |
| | | | | | 40 | | | |
| | | 2.2 V, 3 V | 10 | 17 | | | | |
| 2.2 V, 3 V | 0.1 | 0.5 | | | | | | |
| I _{AVCC_REF} | Quiescent current of resistor ladder into AVCC, Includes REF module current | 2.2 V, 3 V | 2.2 V, 3 V | 10 | 17 | μA | | |
| | | | | | 22 | | | |
| V _{IC} | Common mode input range | | 0 | | V _{CC} – 1 | V | | |
| V _{OFFSET} | Input offset voltage | CBPWRMD = 00 | | | ±20 | mV | | |
| | | | | | ±10 | | | |
| C _{IN} | Input capacitance | | | 5 | | pF | | |
| R _{SIN} | Series input resistance | On (switch closed) | | | 3 | kΩ | | |
| | | | | | 4 | | | |
| t _{PD} | Propagation delay, response time | CBPWRMD = 00, CBF = 0 | | | 450 | ns | | |
| | | | | | 600 | | | |
| | | | | | 50 | | μs | |
| t _{PD,filter} | Propagation delay with filter active | CBPWRMD = 00, CBON = 1, CBF = 1, CBF _{DLY} = 00 | | | 0.35 | μs | | |
| | | | | | 0.6 | | | |
| | | | | | 1.0 | | | |
| | | | | | 1.8 | | | |
| t _{EN_CMP} | Comparator enable time | CBON = 0 to CBON = 1 CBPWRMD = 00 or 01 | | | 1 | μs | | |
| | | | | | 100 | | | |
| t _{EN_REF} | Resistor reference enable time | CBON = 0 to CBON = 1 | | | 1 | 1.5 | μs | |
| V _{CB_REF} | Reference voltage for a given tap | V _{IN} = reference into resistor ladder, n = 0 to 31 | | | V _{IN} × (n + 0.5) / 32 | V _{IN} × (n + 1) / 32 | V _{IN} × (n + 1.5) / 32 | V |

5.41 Ports PU.0 and PU.1

over recommended ranges of supply voltage and operating free-air temperature (unless otherwise noted)

| PARAMETER | | TEST CONDITIONS | MIN | MAX | UNIT |
|-----------------|---------------------------|---|-----|-----|------|
| V _{OH} | High-level output voltage | V _{USB} = 3.3 V ±10%, I _{OH} = –25 mA. See Figure 5-17 for typical characteristics | 2.4 | | V |
| V _{OL} | Low-level output voltage | V _{USB} = 3.3 V ±10%, I _{OL} = 25 mA. See Figure 5-16 for typical characteristics | | 0.4 | V |
| V _{IH} | High-level input voltage | V _{USB} = 3.3 V ±10% See Figure 5-18 for typical characteristics | 2.0 | | V |
| V _{IL} | Low-level input voltage | V _{USB} = 3.3 V ±10% See Figure 5-18 for typical characteristics | | 0.8 | V |

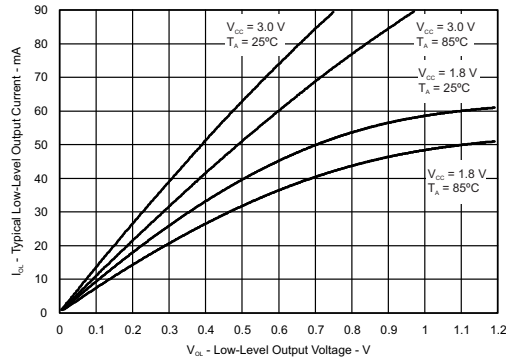


Figure 5-16. Ports PU.0, PU.1 Typical Low-Level Output Characteristics

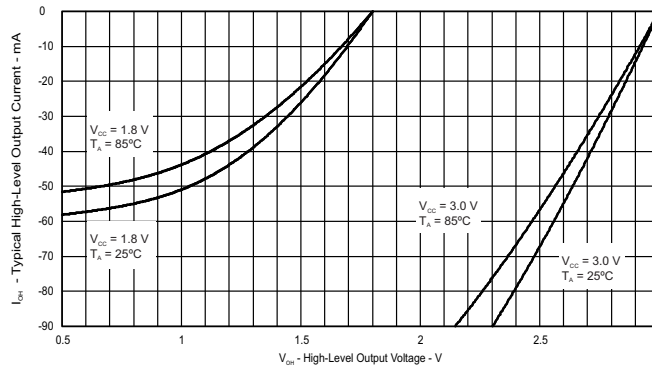


Figure 5-17. Ports PU.0, PU.1 Typical High-Level Output Characteristics

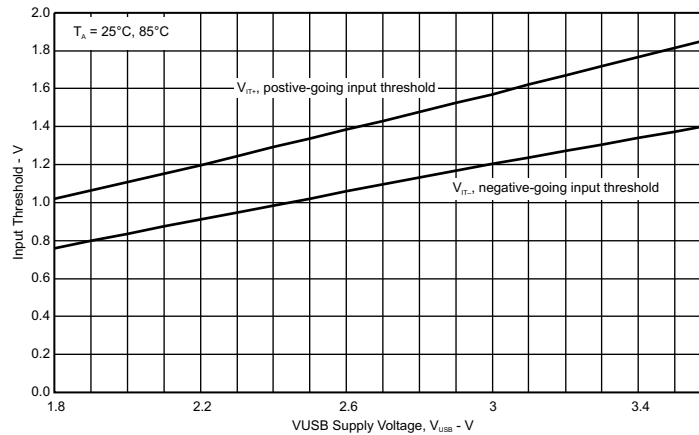


Figure 5-18. Ports PU.0, PU.1 Typical Input Threshold Characteristics

5.42 USB Output Ports (DP and DM)

over recommended ranges of supply voltage and operating free-air temperature (unless otherwise noted)

| PARAMETER | | TEST CONDITIONS | MIN | MAX | UNIT |
|-------------------|---------------------|--|-----|-----|------|
| V _{OH} | D+, D- single ended | USB 2.0 load conditions | 2.8 | 3.6 | V |
| V _{OL} | D+, D- single ended | USB 2.0 load conditions | 0 | 0.3 | V |
| Z(DRV) | D+, D- impedance | Including external series resistor of 27 Ω | 28 | 44 | Ω |
| t _{RISE} | Rise time | Full speed, differential, C _L = 50 pF, 10%/90%, R _{pu} on D+ | 4 | 20 | ns |
| t _{FALL} | Fall time | Full speed, differential, C _L = 50 pF, 10%/90%, R _{pu} on D+ | 4 | 20 | ns |

5.43 USB Input Ports (DP and DM)

over recommended ranges of supply voltage and operating free-air temperature (unless otherwise noted)

| PARAMETER | | MIN | MAX | UNIT |
|------------------|--------------------------------------|-----|-----|------|
| V _{CM} | Differential input common mode range | 0.8 | 2.5 | V |
| Z _{IN} | Input impedance | 300 | | kΩ |
| V _{CRS} | Crossover voltage | 1.3 | 2.0 | V |
| V _{IL} | Static SE input logic low level | | 0.8 | V |
| V _{IH} | Static SE input logic high level | 2.0 | | V |
| V _{DI} | Differential input voltage | | 0.2 | V |

5.44 USB-PWR (USB Power System)

over recommended ranges of supply voltage and operating free-air temperature (unless otherwise noted)

| PARAMETER | | TEST CONDITIONS | V _{CC} | MIN | TYP | MAX | UNIT |
|--------------------------|---|---|-----------------|------|-----|------|------|
| V _{LAUNCH} | V _{BUS} detection threshold | | | | | 3.75 | V |
| V _{BUS} | USB bus voltage | Normal operation | | 3.76 | | 5.5 | V |
| V _{USB} | USB LDO output voltage | | | 3.3 | | ±9% | V |
| V ₁₈ | Internal USB voltage ⁽¹⁾ | | | 1.8 | | | V |
| I _{USB_EXT} | Maximum external current from VUSB terminal ⁽²⁾ | USB LDO is on | | | | 12 | mA |
| I _{DET} | USB LDO current overload detection ⁽³⁾ | | | 60 | | 100 | mA |
| I _{SUSPEND} | Operating supply current into VBUS terminal ⁽⁴⁾ | USB LDO on, USB PLL disabled | | | | 250 | μA |
| I _{USB_LDO} | Operating supply current into VBUS terminal, Represents the current of the 3.3-V LDO only | USB LDO on, USB 1.8-V LDO disabled, V _{BUS} = 5 V, USBDETEN = 0 or 1 | 1.8 V, 3 V | | 60 | | μA |
| I _{VBUS_DETECT} | Operating supply current into VBUS terminal, Represents the current of the VBUS detection logic | USB LDO disabled, USB 1.8-V LDO disabled, V _{BUS} > V _{LAUNCH} , USBDETEN = 1 | 1.8 V, 3 V | | 30 | | μA |
| C _{BUS} | VBUS terminal recommended capacitance | | | | 4.7 | | μF |
| C _{USB} | VUSB terminal recommended capacitance | | | | 220 | | nF |
| C ₁₈ | V18 terminal recommended capacitance | | | | 220 | | nF |
| t _{ENABLE} | Settling time V _{USB} and V ₁₈ | Within 2%, recommended capacitances | | | | 2 | ms |
| R _{PUR} | Pullup resistance of PUR terminal ⁽⁵⁾ | | | 70 | 110 | 150 | Ω |

(1) This voltage is for internal use only. No external DC loading should be applied.

(2) This represents additional current that can be supplied to the application from the VUSB terminal beyond the needs of the USB operation.

(3) A current overload is detected when the total current supplied from the USB LDO, including I_{USB_EXT}, exceeds this value.

(4) Does not include current contribution of R_{pu} and R_{pd} as outlined in the USB specification.

(5) This value, in series with an external resistor between PUR and D+, produces the R_{pu} as outlined in the USB specification.

5.45 USB-PLL (USB Phase-Locked Loop)

over recommended ranges of supply voltage and operating free-air temperature (unless otherwise noted)

| PARAMETER | | MIN | TYP | MAX | UNIT |
|--------------|--------------------------|-----|------|-----|------|
| I_{PLL} | Operating supply current | | | 7 | mA |
| f_{PLL} | PLL frequency | | 48 | | MHz |
| f_{UPD} | PLL reference frequency | 1.5 | | 3 | MHz |
| t_{LOCK} | PLL lock time | | | 2 | ms |
| t_{Jitter} | PLL jitter | | 1000 | | ps |

5.46 Flash Memory

over recommended ranges of supply voltage and operating free-air temperature (unless otherwise noted)

| PARAMETER | | T_J | MIN | TYP | MAX | UNIT |
|------------------------|--|-------|--------|--------|-----|--------|
| $DV_{CC(PGM/ERASE)}$ | Program and erase supply voltage | | 1.8 | | 3.6 | V |
| $t_{READMARGIN}$ | Read access time during marginal mode | | | | 200 | ns |
| I_{PGM} | Supply current from DV_{CC} during program | | | 3 | 5 | mA |
| I_{ERASE} | Supply current from DV_{CC} during erase | | | 2 | 6.5 | mA |
| I_{MERASE}, I_{BANK} | Supply current from DV_{CC} during mass erase or bank erase | | | 2 | 6.5 | mA |
| t_{CPT} | Cumulative program time ⁽¹⁾ | | | | 16 | ms |
| | Program and erase endurance | | 10^4 | 10^5 | | cycles |
| $t_{Retention}$ | Data retention duration | 25°C | 100 | | | years |
| t_{Word} | Word or byte program time ⁽²⁾ | | 64 | | 85 | µs |
| $t_{Block, 0}$ | Block program time for first byte or word ⁽²⁾ | | 49 | | 65 | µs |
| $t_{Block, 1-(N-1)}$ | Block program time for each additional byte or word, except for last byte or word ⁽²⁾ | | 37 | | 49 | µs |
| $t_{Block, N}$ | Block program time for last byte or word ⁽²⁾ | | 55 | | 73 | µs |
| t_{Erase} | Erase time for segment, mass erase, and bank erase when available ⁽²⁾ | | 23 | | 32 | ms |

(1) The cumulative program time must not be exceeded when writing to a 128-byte flash block. This parameter applies to all programming methods: individual word write, individual byte write, and block write modes.

(2) These values are hardwired into the state machine of the flash controller.

5.47 JTAG and Spy-Bi-Wire Interface

over recommended ranges of supply voltage and operating free-air temperature (unless otherwise noted)

| PARAMETER | | V_{CC} | MIN | TYP | MAX | UNIT |
|----------------|--|------------|-------|-----|-----|------|
| f_{SBW} | Spy-Bi-Wire input frequency | 2.2 V, 3 V | 0 | | 20 | MHz |
| $t_{SBW, Low}$ | Spy-Bi-Wire low clock pulse duration | 2.2 V, 3 V | 0.025 | | 15 | µs |
| $t_{SBW, En}$ | Spy-Bi-Wire enable time (TEST high to acceptance of first clock edge) ⁽¹⁾ | 2.2 V, 3 V | | | 1 | µs |
| $t_{SBW, Rst}$ | Spy-Bi-Wire return to normal operation time | | 15 | | 100 | µs |
| f_{TCK} | TCK input frequency for 4-wire JTAG ⁽²⁾ | 2.2 V | 0 | | 5 | MHz |
| | | 3 V | 0 | | 10 | MHz |
| $R_{internal}$ | Internal pulldown resistance on TEST | 2.2 V, 3 V | 45 | 60 | 80 | kΩ |

(1) Tools that access the Spy-Bi-Wire and BSL interfaces must wait for the $t_{SBW, En}$ time after the first transition of the TEST/SBW TCK pin (low to high), before the second transition of the pin (high to low) during the entry sequence.

(2) f_{TCK} may be restricted to meet the timing requirements of the module selected.

6 Detailed Description

6.1 CPU ([Link to User's Guide](#))

The MSP430 CPU has a 16-bit RISC architecture that is highly transparent to the application. All operations, other than program-flow instructions, are performed as register operations in conjunction with seven addressing modes for source operand and four addressing modes for destination operand.

The CPU is integrated with 16 registers that provide reduced instruction execution time. The register-to-register operation execution time is one cycle of the CPU clock. Four of the registers, R0 to R3, are dedicated as program counter, stack pointer, status register, and constant generator, respectively. The remaining registers are general-purpose registers (see [Figure 6-1](#)).

Peripherals are connected to the CPU using data, address, and control buses. Peripherals can be managed with all instructions.

The instruction set consists of the original 51 instructions with three formats and seven address modes and additional instructions for the expanded address range. Each instruction can operate on word and byte data.

| | |
|--------------------------|-----------|
| Program Counter | PC/R0 |
| Stack Pointer | SP/R1 |
| Status Register | SR/CG1/R2 |
| Constant Generator | CG2/R3 |
| General-Purpose Register | R4 |
| General-Purpose Register | R5 |
| General-Purpose Register | R6 |
| General-Purpose Register | R7 |
| General-Purpose Register | R8 |
| General-Purpose Register | R9 |
| General-Purpose Register | R10 |
| General-Purpose Register | R11 |
| General-Purpose Register | R12 |
| General-Purpose Register | R13 |
| General-Purpose Register | R14 |
| General-Purpose Register | R15 |

Figure 6-1. Integrated CPU Registers

6.2 Operating Modes

These microcontrollers have one active mode and six software-selectable low-power modes of operation. An interrupt event can wake up the device from any of the low-power modes, service the request, and restore back to the low-power mode on return from the interrupt program.

Software can configure the following seven operating modes:

- Active mode (AM)
 - All clocks are active
- Low-power mode 0 (LPM0)
 - CPU is disabled
 - ACLK and SMCLK remain active
 - MCLK is disabled
 - FLL loop control remains active
- Low-power mode 1 (LPM1)
 - CPU is disabled
 - FLL loop control is disabled
 - ACLK and SMCLK remain active
 - MCLK is disabled
- Low-power mode 2 (LPM2)
 - CPU is disabled
 - MCLK, FLL loop control, and DCOCLK are disabled
 - DC generator of the DCO remains enabled
 - ACLK remains active
- Low-power mode 3 (LPM3)
 - CPU is disabled
 - MCLK, FLL loop control, and DCOCLK are disabled
 - DC generator of the DCO is disabled
 - ACLK remains active
- Low-power mode 4 (LPM4)
 - CPU is disabled
 - ACLK is disabled
 - MCLK, FLL loop control, and DCOCLK are disabled
 - DC generator of the DCO is disabled
 - Crystal oscillator is stopped
 - Complete data retention
- Low-power mode 4.5 (LPM4.5)
 - Internal regulator disabled
 - No data retention
 - Wake-up input from $\overline{\text{RST/NMI}}$, P1, and P2.

6.3 Interrupt Vector Addresses

The interrupt vectors and the power-up start address are in the address range 0FFFFh to 0FF80h (see [Table 6-1](#)). The vector contains the 16-bit address of the interrupt-handler instruction sequence.

Table 6-1. Interrupt Sources, Flags, and Vectors

| INTERRUPT SOURCE | INTERRUPT FLAG | SYSTEM INTERRUPT | WORD ADDRESS | PRIORITY |
|---|--|------------------|--------------|-------------|
| System Reset Power up External reset Watchdog time-out, password violation Flash memory password violation | WDTIFG, KEYV (SYSRSTIV) ^{(1) (2)} | Reset | 0FFFEh | 63, highest |
| System NMI PMM Vacant memory access JTAG mailbox | SVMLIFG, SVMHIFG, DLYLIFG, DLYHIFG, VLRLIFG, VLRHIFG, VMAIFG, JMBINIFG, JMBOUTIFG (SYSSNIV) ⁽¹⁾ | (Non)maskable | 0FFFCCh | 62 |
| User NMI NMI Oscillator fault Flash memory access violation | NMIIFG, OFIFG, ACCVIFG, BUSIFG (SYSUNIV) ^{(1) (2)} | (Non)maskable | 0FFFAh | 61 |
| Comp_B | Comparator B interrupt flags (CBIV) ^{(1) (3)} | Maskable | 0FFF8h | 60 |
| TB0 | TB0CCR0 CCIFG0 ⁽³⁾ | Maskable | 0FFF6h | 59 |
| TB0 | TB0CCR1 CCIFG1 to TB0CCR6 CCIFG6, TB0IFG (TB0IV) ^{(1) (3)} | Maskable | 0FFF4h | 58 |
| Watchdog Timer_A interval timer mode | WDTIFG | Maskable | 0FFF2h | 57 |
| USCI_A0 receive or transmit | UCA0RXIFG, UCA0TXIFG (UCA0IV) ^{(1) (3)} | Maskable | 0FFF0h | 56 |
| USCI_B0 receive or transmit | UCB0RXIFG, UCB0TXIFG (UCB0IV) ^{(1) (3)} | Maskable | 0FFEEh | 55 |
| ADC10_A | ADC10IFG0 ^{(1) (3) (4)} | Maskable | 0FFECCh | 54 |
| TA0 | TA0CCR0 CCIFG0 ⁽³⁾ | Maskable | 0FFEAh | 53 |
| TA0 | TA0CCR1 CCIFG1 to TA0CCR4 CCIFG4, TA0IFG (TA0IV) ^{(1) (3)} | Maskable | 0FFE8h | 52 |
| USB_UBM | USB interrupts (USBIV) ^{(1) (3)} | Maskable | 0FFE6h | 51 |
| DMA | DMA0IFG, DMA1IFG, DMA2IFG (DMAIV) ^{(1) (3)} | Maskable | 0FFE4h | 50 |
| TA1 | TA1CCR0 CCIFG0 ⁽³⁾ | Maskable | 0FFE2h | 49 |
| TA1 | TA1CCR1 CCIFG1 to TA1CCR2 CCIFG2, TA1IFG (TA1IV) ^{(1) (3)} | Maskable | 0FFE0h | 48 |
| I/O port P1 | P1IFG.0 to P1IFG.7 (P1IV) ^{(1) (3)} | Maskable | 0FFDEh | 47 |
| USCI_A1 receive or transmit | UCA1RXIFG, UCA1TXIFG (UCA1IV) ^{(1) (3)} | Maskable | 0FFDCh | 46 |
| USCI_B1 receive or transmit | UCB1RXIFG, UCB1TXIFG (UCB1IV) ^{(1) (3)} | Maskable | 0FFDAh | 45 |
| TA2 | TA2CCR0 CCIFG0 ⁽³⁾ | Maskable | 0FFD8h | 44 |
| TA2 | TA2CCR1 CCIFG1 to TA2CCR2 CCIFG2, TA2IFG (TA2IV) ^{(1) (3)} | Maskable | 0FFD6h | 43 |
| I/O port P2 | P2IFG.0 to P2IFG.7 (P2IV) ^{(1) (3)} | Maskable | 0FFD4h | 42 |
| RTC_A | RTCRDYIFG, RTCTEVIFG, RTCAIFG, RT0PSIFG, RT1PSIFG (RTCIV) ^{(1) (3)} | Maskable | 0FFD2h | 41 |
| Reserved | Reserved ⁽⁵⁾ | | 0FFD0h | 40 |
| | | | ⋮ | ⋮ |
| | | | 0FF80h | 0, lowest |

(1) Multiple source flags

(2) A reset is generated if the CPU tries to fetch instructions from within peripheral space or vacant memory space.

(Non)maskable: the individual interrupt enable bit can disable an interrupt event, but the general interrupt enable bit cannot disable it.

(3) Interrupt flags are in the module.

(4) Only on devices with ADC, otherwise reserved.

(5) Reserved interrupt vectors at addresses are not used in this device and can be used for regular program code if necessary. To maintain compatibility with other devices, TI recommends reserving these locations.

6.4 Memory Organization

Table 6-2 summarizes the memory map of all device variants.

Table 6-2. Memory Organization⁽¹⁾

| | | MSP430F5504 MSP430F5500 | MSP430F5508 MSP430F5505 MSP430F5501 | MSP430F5509 MSP430F5506 MSP430F5502 | MSP430F5510 MSP430F5507 MSP430F5503 |
|---|------------|---|--|--|--|
| Memory (flash) Main: interrupt vector Main: code memory | Total Size | 8KB 00FFFFh–00FF80h 00FFFFh–00E000h | 16KB 00FFFFh–00FF80h 00FFFFh–00C000h | 24KB 00FFFFh–00FF80h 00FFFFh–00A000h | 32KB 00FFFFh–00FF80h 00FFFFh–008000h |
| RAM | Sector 1 | 2KB 0033FFh–002C00h | 2KB 0033FFh–002C00h | 2KB 0033FFh–002C00h | 2KB 0033FFh–002C00h |
| | Sector 0 | 2KB 002BFFh–002400h | 2KB 002BFFh–002400h | 2KB 002BFFh–002400h | 2KB 002BFFh–002400h |
| USB RAM ⁽²⁾ | | 2KB 0023FFh–001C00h | 2KB 0023FFh–001C00h | 2KB 0023FFh–001C00h | 2KB 0023FFh–001C00h |
| Information memory (flash) | Info A | 128 B 0019FFh–001980h | 128 B 0019FFh–001980h | 128 B 0019FFh–001980h | 128 B 0019FFh–001980h |
| | Info B | 128 B 00197Fh–001900h | 128 B 00197Fh–001900h | 128 B 00197Fh–001900h | 128 B 00197Fh–001900h |
| | Info C | 128 B 0018FFh–001880h | 128 B 0018FFh–001880h | 128 B 0018FFh–001880h | 128 B 0018FFh–001880h |
| | Info D | 128 B 00187Fh–001800h | 128 B 00187Fh–001800h | 128 B 00187Fh–001800h | 128 B 00187Fh–001800h |
| Bootloader (BSL) memory (flash) | BSL 3 | 512 B 0017FFh–001600h | 512 B 0017FFh–001600h | 512 B 0017FFh–001600h | 512 B 0017FFh–001600h |
| | BSL 2 | 512 B 0015FFh–001400h | 512 B 0015FFh–001400h | 512 B 0015FFh–001400h | 512 B 0015FFh–001400h |
| | BSL 1 | 512 B 0013FFh–001200h | 512 B 0013FFh–001200h | 512 B 0013FFh–001200h | 512 B 0013FFh–001200h |
| | BSL 0 | 512 B 0011FFh–001000h | 512 B 0011FFh–001000h | 512 B 0011FFh–001000h | 512 B 0011FFh–001000h |
| Peripherals | Size | 4KB 000FFFh–0h | 4KB 000FFFh–0h | 4KB 000FFFh–0h | 4KB 000FFFh–0h |

(1) N/A = Not available

(2) USB RAM can be used as general purpose RAM when not used for USB operation.

6.5 Bootloader (BSL)

The BSL enables users to program the flash memory or RAM using various serial interfaces. Access to the device memory through the BSL is protected by a user-defined password. For complete description of the features of the BSL and its implementation, see [MSP430 Programming With the Bootloader \(BSL\)](#).

6.5.1 USB BSL

All devices come preprogrammed with the USB BSL. Use of the USB BSL requires external access to six pins (see [Table 6-3](#)). In addition to these pins, the application must support external components necessary for normal USB operation (for example, proper crystal on XT2IN and XT2OUT and proper decoupling). For further details on interfacing to development tools and device programmers, see the [MSP430 Hardware Tools User's Guide](#).

Table 6-3. USB BSL Pin Requirements and Functions

| DEVICE SIGNAL | BSL FUNCTION |
|---|------------------------------|
| $\overline{\text{RST}}/\text{NMI}/\text{SBWTDIO}$ | Entry sequence signal |
| PU.0/DP | USB data terminal DP |
| PU.1/DM | USB data terminal DM |
| PUR | USB pullup resistor terminal |
| VBUS | USB bus power supply |
| VSSU | USB ground supply |

NOTE

The default USB BSL evaluates the logic level of the PUR pin after a BOR reset. If it is pulled high externally, then the BSL is invoked. Therefore, unless the BSL should be invoked, it is important to keep PUR pulled low after a BOR reset, even if BSL or USB is never used. TI recommends applying a 1-M Ω resistor to ground.

6.5.2 UART BSL

A UART BSL is also available that can be programmed by the user into the BSL memory by replacing the pre-programmed factory-supplied USB BSL. Use of the UART BSL requires external access to six pins (see [Table 6-4](#)). For further details on interfacing to development tools and device programmers, see the [MSP430 Hardware Tools User's Guide](#).

Table 6-4. UART BSL Pin Requirements and Functions

| DEVICE SIGNAL | BSL FUNCTION |
|---|-----------------------|
| $\overline{\text{RST}}/\text{NMI}/\text{SBWTDIO}$ | Entry sequence signal |
| TEST/SBWTK | Entry sequence signal |
| P1.1 | Data transmit |
| P1.2 | Data receive |
| VCC | Power supply |
| VSS | Ground supply |

6.6 JTAG Operation

6.6.1 JTAG Standard Interface

The MSP430 family supports the standard JTAG interface, which requires four signals for sending and receiving data. The JTAG signals are shared with general-purpose I/Os. The TEST/SBWTCK pin is used to enable the JTAG signals. In addition to these signals, the $\overline{\text{RST}}/\text{NMI}/\text{SBWTDIO}$ is required to interface with MSP430 development tools and device programmers. Table 6-5 lists the JTAG pin requirements. For further details on interfacing to development tools and device programmers, see the [MSP430 Hardware Tools User's Guide](#). For complete description of the features of the JTAG interface and its implementation, see the [MSP430 Memory Programming With the JTAG Interface](#).

Table 6-5. JTAG Pin Requirements and Functions

| DEVICE SIGNAL | DIRECTION | FUNCTION |
|---|-----------|-----------------------------|
| PJ.3/TCK | IN | JTAG clock input |
| PJ.2/TMS | IN | JTAG state control |
| PJ.1/TDI/TCLK | IN | JTAG data input, TCLK input |
| PJ.0/TDO | OUT | JTAG data output |
| TEST/SBWTCK | IN | Enable JTAG pins |
| $\overline{\text{RST}}/\text{NMI}/\text{SBWTDIO}$ | IN | External reset |
| VCC | | Power supply |
| VSS | | Ground supply |

6.6.2 Spy-Bi-Wire Interface

In addition to the standard JTAG interface, the MSP430 family supports the two-wire Spy-Bi-Wire interface. Spy-Bi-Wire can be used to interface with MSP430 development tools and device programmers. Table 6-6 lists the Spy-Bi-Wire interface pin requirements. For further details on interfacing to development tools and device programmers, see the [MSP430 Hardware Tools User's Guide](#). For complete description of the features of the JTAG interface and its implementation, see the [MSP430 Memory Programming With the JTAG Interface](#).

Table 6-6. Spy-Bi-Wire Pin Requirements and Functions

| DEVICE SIGNAL | DIRECTION | FUNCTION |
|---|-----------|-------------------------------|
| TEST/SBWTCK | IN | Spy-Bi-Wire clock input |
| $\overline{\text{RST}}/\text{NMI}/\text{SBWTDIO}$ | IN, OUT | Spy-Bi-Wire data input/output |
| VCC | | Power supply |
| VSS | | Ground supply |

6.7 Flash Memory ([Link to User's Guide](#))

The flash memory can be programmed through the JTAG port, Spy-Bi-Wire (SBW), the BSL, or in-system by the CPU. The CPU can perform single-byte, single-word, and long-word writes to the flash memory. Features of the flash memory include:

- Flash memory has n segments of main memory and four segments of information memory (A to D) of 128 bytes each. Each segment in main memory is 512 bytes in size.
- Segments 0 to n may be erased in one step, or each segment may be individually erased.
- Segments A to D can be erased individually, or as a group with segments 0 to n. Segments A to D are also called *information memory*.
- Segment A can be locked separately.

6.8 RAM ([Link to User's Guide](#))

The RAM is made up of n sectors. Each sector can be completely powered down to save leakage; however, all data are lost. Features of the RAM include:

- RAM has n sectors. The size of a sector can be found in [Section 6.4](#).
- Each sector 0 to n can be completely disabled; however, data retention is lost.
- Each sector 0 to n automatically enters low-power retention mode when possible.
- For devices that contain USB memory, the USB memory can be used as normal RAM if USB is not required.

6.9 Peripherals

Peripherals are connected to the CPU through data, address, and control buses. Peripherals can be handled using all instructions. For complete module descriptions, see the [MSP430F5xx and MSP430F6xx Family User's Guide](#).

6.9.1 Digital I/O ([Link to User's Guide](#))

Up to six 8-bit I/O ports are implemented: for 64-pin options, P1, P2, P4, P6, and are complete, P5 is reduced to 6-bit I/O, and P3 to 5-bit I/O. For 48-pin options, P6 is reduced to 4-bit I/O, P2 to 1-bit I/O, and P3 is completely removed. Port PJ contains four individual I/O ports, common to all devices.

- All individual I/O bits are independently programmable.
- Any combination of input, output, and interrupt conditions is possible.
- Pullup or pulldown on all ports is programmable.
- Drive strength on all ports is programmable.
- Edge-selectable interrupt and LPM4.5 wake-up input capability is available for all bits of ports P1 and P2.
- Read and write access to port-control registers is supported by all instructions.
- Ports can be accessed byte-wise (P1 through P6) or word-wise in pairs (PA through PC).

6.9.2 Port Mapping Controller ([Link to User's Guide](#))

The port mapping controller allows the flexible and reconfigurable mapping of digital functions to port P4 (see [Table 6-7](#)). [Table 6-8](#) lists the default settings for all pins that support port mapping.

Table 6-7. Port Mapping Mnemonics and Functions

| VALUE | PxMAPy MNEMONIC | INPUT PIN FUNCTION | OUTPUT PIN FUNCTION |
|-------|-----------------|----------------------------------|------------------------------|
| 0 | PM_NONE | None | DVSS |
| 1 | PM_CBOU0 | – | Comparator_B output |
| | PM_TB0CLK | TB0 clock input | – |
| 2 | PM_ADC10CLK | – | ADC10CLK |
| | PM_DMAE0 | DMAE0 input | – |
| 3 | PM_SVMOUT | – | SVM output |
| | PM_TB0OUTH | TB0 high impedance input TB0OUTH | – |
| 4 | PM_TB0CCR0A | TB0 CCR0 capture input CCI0A | TB0 CCR0 compare output Out0 |
| 5 | PM_TB0CCR1A | TB0 CCR1 capture input CCI1A | TB0 CCR1 compare output Out1 |
| 6 | PM_TB0CCR2A | TB0 CCR2 capture input CCI2A | TB0 CCR2 compare output Out2 |
| 7 | PM_TB0CCR3A | TB0 CCR3 capture input CCI3A | TB0 CCR3 compare output Out3 |
| 8 | PM_TB0CCR4A | TB0 CCR4 capture input CCI4A | TB0 CCR4 compare output Out4 |
| 9 | PM_TB0CCR5A | TB0 CCR5 capture input CCI5A | TB0 CCR5 compare output Out5 |
| 10 | PM_TB0CCR6A | TB0 CCR6 capture input CCI6A | TB0 CCR6 compare output Out6 |

Table 6-7. Port Mapping Mnemonics and Functions (continued)

| VALUE | PxMAPy MNEMONIC | INPUT PIN FUNCTION | OUTPUT PIN FUNCTION |
|--------------------------|-----------------|--|---------------------|
| 11 | PM_UCA1RXD | USCI_A1 UART RXD (Direction controlled by USCI – input) | |
| | PM_UCA1SOMI | USCI_A1 SPI slave out master in (direction controlled by USCI) | |
| 12 | PM_UCA1TXD | USCI_A1 UART TXD (Direction controlled by USCI – output) | |
| | PM_UCA1SIMO | USCI_A1 SPI slave in master out (direction controlled by USCI) | |
| 13 | PM_UCA1CLK | USCI_A1 clock input/output (direction controlled by USCI) | |
| | PM_UCB1STE | USCI_B1 SPI slave transmit enable (direction controlled by USCI) | |
| 14 | PM_UCB1SOMI | USCI_B1 SPI slave out master in (direction controlled by USCI) | |
| | PM_UCB1SCL | USCI_B1 I2C clock (open drain and direction controlled by USCI) | |
| 15 | PM_UCB1SIMO | USCI_B1 SPI slave in master out (direction controlled by USCI) | |
| | PM_UCB1SDA | USCI_B1 I2C data (open drain and direction controlled by USCI) | |
| 16 | PM_UCB1CLK | USCI_B1 clock input/output (direction controlled by USCI) | |
| | PM_UCA1STE | USCI_A1 SPI slave transmit enable (direction controlled by USCI) | |
| 17 | PM_CBOU1 | None | Comparator_B output |
| 18 | PM_MCLK | None | MCLK |
| 19 | PM_RTCCLK | None | RTCCLK output |
| 20 | PM_UCA0RXD | USCI_A0 UART RXD (Direction controlled by USCI – input) | |
| | PM_UCA0SOMI | USCI_A0 SPI slave out master in (direction controlled by USCI) | |
| 21 | PM_UCA0TXD | USCI_A0 UART TXD (Direction controlled by USCI – output) | |
| | PM_UCA0SIMO | USCI_A0 SPI slave in master out (direction controlled by USCI) | |
| 22 | PM_UCA0CLK | USCI_A0 clock input/output (direction controlled by USCI) | |
| | PM_UCB0STE | USCI_B0 SPI slave transmit enable (direction controlled by USCI) | |
| 23 | PM_UCB0SOMI | USCI_B0 SPI slave out master in (direction controlled by USCI) | |
| | PM_UCB0SCL | USCI_B0 I2C clock (open drain and direction controlled by USCI) | |
| 24 | PM_UCB0SIMO | USCI_B0 SPI slave in master out (direction controlled by USCI) | |
| | PM_UCB0SDA | USCI_B0 I2C data (open drain and direction controlled by USCI) | |
| 25 | PM_UCB0CLK | USCI_B0 clock input/output (direction controlled by USCI) | |
| | PM_UCA0STE | USCI_A0 SPI slave transmit enable (direction controlled by USCI) | |
| 26–30 | Reserved | None | DVSS |
| 31 (0FFh) ⁽¹⁾ | PM_ANALOG | Disables the output driver and the input Schmitt-trigger to prevent parasitic cross currents when applying analog signals. | |

(1) The value of the PM_ANALOG mnemonic is set to 0FFh. The port mapping registers are only 5 bits wide, and the upper bits are ignored, which results in a read value of 31.

Table 6-8. Default Mapping

| PIN | PxMAPy MNEMONIC | INPUT PIN FUNCTION | OUTPUT PIN FUNCTION |
|-------------|------------------------|---|---------------------|
| P4.0/P4MAP0 | PM_UCB1STE/PM_UCA1CLK | USCI_B1 SPI slave transmit enable (direction controlled by USCI) USCI_A1 clock input/output (direction controlled by USCI) | |
| P4.1/P4MAP1 | PM_UCB1SIMO/PM_UCB1SDA | USCI_B1 SPI slave in master out (direction controlled by USCI) USCI_B1 I2C data (open drain and direction controlled by USCI) | |
| P4.2/P4MAP2 | PM_UCB1SOMI/PM_UCB1SCL | USCI_B1 SPI slave out master in (direction controlled by USCI) USCI_B1 I2C clock (open drain and direction controlled by USCI) | |
| P4.3/P4MAP3 | PM_UCB1CLK/PM_UCA1STE | USCI_A1 SPI slave transmit enable (direction controlled by USCI) USCI_B1 clock input/output (direction controlled by USCI) | |
| P4.4/P4MAP4 | PM_UCA1TXD/PM_UCA1SIMO | USCI_A1 UART TXD (Direction controlled by USCI – output) USCI_A1 SPI slave in master out (direction controlled by USCI) | |
| P4.5/P4MAP5 | PM_UCA1RXD/PM_UCA1SOMI | USCI_A1 UART RXD (Direction controlled by USCI – input) USCI_A1 SPI slave out master in (direction controlled by USCI) | |
| P4.6/P4MAP6 | PM_NONE | None | DVSS |
| P4.7/P4MAP7 | PM_NONE | None | DVSS |

6.9.3 Oscillator and System Clock ([Link to User's Guide](#))

The clock system is supported by the Unified Clock System (UCS) module that includes support for a 32-kHz watch crystal oscillator (XT1 LF mode; XT1 HF mode is not supported), an internal very-low-power low-frequency oscillator (VLO), an internal trimmed low-frequency oscillator (REFO), an integrated internal digitally controlled oscillator (DCO), and a high-frequency crystal oscillator (XT2). The UCS module is designed to meet the requirements of both low system cost and low power consumption. The UCS module features digital frequency locked loop (FLL) hardware that, in conjunction with a digital modulator, stabilizes the DCO frequency to a programmable multiple of the selected FLL reference frequency. The internal DCO provides a fast turnon clock source and stabilizes in less than 5 μ s. The UCS module provides the following clock signals:

- Auxiliary clock (ACLK), sourced from the XT1, XT2, VLO, REFO, or DCO.
- Main clock (MCLK), the system clock used by the CPU. MCLK can be sourced by same sources made available to ACLK.
- Sub-Main clock (SMCLK), the subsystem clock used by the peripheral modules. SMCLK can be sourced by same sources made available to ACLK.
- ACLK/n, the buffered output of ACLK, ACLK/2, ACLK/4, ACLK/8, ACLK/16, ACLK/32.

6.9.4 Power-Management Module (PMM) ([Link to User's Guide](#))

The PMM includes an integrated voltage regulator that supplies the core voltage to the device and contains programmable output levels to provide for power optimization. The PMM also includes supply voltage supervisor (SVS) and supply voltage monitoring (SVM) circuitry, as well as brownout protection. The brownout circuit is implemented to provide the proper internal reset signal to the device during power-on and power-off. The SVS and SVM circuitry detects if the supply voltage drops below a user-selectable level and supports both supply voltage supervision (the device is automatically reset) and supply voltage monitoring (the device is not automatically reset). SVS and SVM circuitry is available on the primary supply and core supply.

6.9.5 Hardware Multiplier (MPY) ([Link to User's Guide](#))

The multiplication operation is supported by a dedicated peripheral module. The module performs operations with 32-, 24-, 16-, and 8-bit operands. The module supports signed and unsigned multiplication as well as signed and unsigned multiply-and-accumulate operations.

6.9.6 Real-Time Clock (RTC_A) ([Link to User's Guide](#))

The RTC_A module can be used as a general-purpose 32-bit counter (counter mode) or as an integrated real-time clock (RTC) (calendar mode). In counter mode, the RTC_A also includes two independent 8-bit timers that can be cascaded to form a 16-bit timer or counter. Both timers can be read and written by software. Calendar mode integrates an internal calendar that compensates for months with less than 31 days and includes leap year correction. The RTC_A also supports flexible alarm functions and offset-calibration hardware.

6.9.7 Watchdog Timer (WDT_A) ([Link to User's Guide](#))

The primary function of the WDT_A module is to perform a controlled system restart after a software problem occurs. If the selected time interval expires, a system reset is generated. If the watchdog function is not needed in an application, the module can be configured as an interval timer and can generate interrupts at selected time intervals.

6.9.8 System Module (SYS) (Link to User's Guide)

The SYS module handles many of the system functions within the device. These include power on reset and power up clear handling, NMI source selection and management, reset interrupt vector generators, bootloader entry mechanisms, and configuration management (device descriptors). It also includes a data exchange mechanism through JTAG called a JTAG mailbox that can be used in the application. Table 6-9 lists the SYS module interrupt vector registers.

Table 6-9. System Module Interrupt Vector Registers

| INTERRUPT VECTOR REGISTER | ADDRESS | INTERRUPT EVENT | VALUE | PRIORITY |
|---------------------------|------------|-------------------------------------|------------|----------------------|
| SYSRSTIV, System Reset | 019Eh | No interrupt pending | 00h | |
| | | Brownout (BOR) | 02h | Highest |
| | | $\overline{\text{RST}}$ /NMI (POR) | 04h | |
| | | PMMSWBOR (BOR) | 06h | |
| | | Wake up from LPMx.5 | 08h | |
| | | Security violation (BOR) | 0Ah | |
| | | SVSL (POR) | 0Ch | |
| | | SVSH (POR) | 0Eh | |
| | | SVML_OVP (POR) | 10h | |
| | | SVMH_OVP (POR) | 12h | |
| | | PMMSWPOR (POR) | 14h | |
| | | WDT time-out (PUC) | 16h | |
| | | WDT password violation (PUC) | 18h | |
| | | KEYV flash password violation (PUC) | 1Ah | |
| | | Reserved | 1Ch | |
| | | Peripheral area fetch (PUC) | 1Eh | |
| | | PMM password violation (PUC) | 20h | |
| Reserved | 22h to 3Eh | Lowest | | |
| SYSSNIV, System NMI | 019Ch | No interrupt pending | 00h | |
| | | SVMLIFG | 02h | Highest |
| | | SVMHIFG | 04h | |
| | | SVSMLDLYIFG | 06h | |
| | | SVSMHDLYIFG | 08h | |
| | | VMAIFG | 0Ah | |
| | | JMBINIFG | 0Ch | |
| | | JMBOUTIFG | 0Eh | |
| | | SVMLVLRIFG | 10h | |
| | | SVMHVLRFIFG | 12h | |
| | | Reserved | 14h to 1Eh | Lowest |
| | | SYSUNIV, User NMI | 019Ah | No interrupt pending |
| NMIIFG | 02h | | | Highest |
| OFIFG | 04h | | | |
| ACCVIFG | 06h | | | |
| Reserved | 08h | | | |
| Reserved | 0Ah to 1Eh | | | Lowest |

6.9.9 DMA Controller ([Link to User's Guide](#))

The DMA controller allows movement of data from one memory address to another without CPU intervention. For example, the DMA controller can be used to move data from the ADC10_A conversion register to RAM. Using the DMA controller can increase the throughput of peripheral modules. The DMA controller reduces system power consumption by allowing the CPU to remain in sleep mode, without having to awaken to move data to or from a peripheral.

Table 6-10 lists the DMA trigger assignments, which are also used by the USB timestamp generator.

Table 6-10. DMA Trigger Assignments⁽¹⁾

| TRIGGER | CHANNEL | | |
|---------|--------------------------|--------------------------|--------------------------|
| | 0 | 1 | 2 |
| 0 | DMAREQ | DMAREQ | DMAREQ |
| 1 | TA0CCR0 CCIFG | TA0CCR0 CCIFG | TA0CCR0 CCIFG |
| 2 | TA0CCR2 CCIFG | TA0CCR2 CCIFG | TA0CCR2 CCIFG |
| 3 | TA1CCR0 CCIFG | TA1CCR0 CCIFG | TA1CCR0 CCIFG |
| 4 | TA1CCR2 CCIFG | TA1CCR2 CCIFG | TA1CCR2 CCIFG |
| 5 | TA2CCR0 CCIFG | TA2CCR0 CCIFG | TA2CCR0 CCIFG |
| 6 | TA2CCR2 CCIFG | TA2CCR2 CCIFG | TA2CCR2 CCIFG |
| 7 | TB0CCR0 CCIFG | TB0CCR0 CCIFG | TB0CCR0 CCIFG |
| 8 | TB0CCR2 CCIFG | TB0CCR2 CCIFG | TB0CCR2 CCIFG |
| 9 | Reserved | Reserved | Reserved |
| 10 | Reserved | Reserved | Reserved |
| 11 | Reserved | Reserved | Reserved |
| 12 | Reserved | Reserved | Reserved |
| 13 | Reserved | Reserved | Reserved |
| 14 | Reserved | Reserved | Reserved |
| 15 | Reserved | Reserved | Reserved |
| 16 | UCA0RXIFG | UCA0RXIFG | UCA0RXIFG |
| 17 | UCA0TXIFG | UCA0TXIFG | UCA0TXIFG |
| 18 | UCB0RXIFG | UCB0RXIFG | UCB0RXIFG |
| 19 | UCB0TXIFG | UCB0TXIFG | UCB0TXIFG |
| 20 | UCA1RXIFG | UCA1RXIFG | UCA1RXIFG |
| 21 | UCA1TXIFG | UCA1TXIFG | UCA1TXIFG |
| 22 | UCB1RXIFG | UCB1RXIFG | UCB1RXIFG |
| 23 | UCB1TXIFG | UCB1TXIFG | UCB1TXIFG |
| 24 | ADC10IFG0 ⁽²⁾ | ADC10IFG0 ⁽²⁾ | ADC10IFG0 ⁽²⁾ |
| 25 | Reserved | Reserved | Reserved |
| 26 | Reserved | Reserved | Reserved |
| 27 | USB FNRXD | USB FNRXD | USB FNRXD |
| 28 | USB ready | USB ready | USB ready |
| 29 | MPY ready | MPY ready | MPY ready |
| 30 | DMA2IFG | DMA0IFG | DMA1IFG |
| 31 | DMAE0 | DMAE0 | DMAE0 |

(1) If a reserved trigger source is selected, no Trigger1 is generated.

(2) Only on devices with ADC. Reserved on devices without ADC.

6.9.10 Universal Serial Communication Interface (USCI) (Links to User's Guide: [UART Mode](#), [SPI Mode](#), [I²C Mode](#))

The USCI modules are used for serial data communication. The USCI module supports synchronous communication protocols such as SPI (3- or 4-pin) and I²C, and asynchronous communication protocols such as UART, enhanced UART with automatic baud-rate detection, and IrDA. Each USCI module contains two portions, A and B.

The USCI_An module provides support for SPI (3- or 4-pin), UART, enhanced UART, or IrDA.

The USCI_Bn module provides support for SPI (3- or 4-pin) or I²C.

The MSP430F55xx series includes two complete USCI modules (n = 0, 1).

6.9.11 TA0 (Link to User's Guide)

TA0 is a 16-bit timer/counter (Timer_A type) with five capture/compare registers. TA0 can support multiple capture/compares, PWM outputs, and interval timing (see [Table 6-11](#)). TA0 also has extensive interrupt capabilities. Interrupts may be generated from the counter on overflow conditions and from each of the capture/compare registers.

Table 6-11. TA0 Signal Connections

| INPUT PIN NUMBER | | DEVICE INPUT SIGNAL | MODULE INPUT SIGNAL | MODULE BLOCK | MODULE OUTPUT SIGNAL | DEVICE OUTPUT SIGNAL | OUTPUT PIN NUMBER | |
|------------------|---------|---------------------|---------------------------|--------------|----------------------|----------------------|--|--|
| RGC, ZXH, ZQE | RGZ, PT | | | | | | RGC, ZXH, ZQE | RGZ, PT |
| 18, H2-P1.0 | 14-P1.0 | TA0CLK | TACLK | Timer | NA | NA | | |
| | | ACLK (internal) | ACLK | | | | | |
| | | SMCLK (internal) | SMCLK | | | | | |
| 18, H2-P1.0 | 14-P1.0 | TA0CLK | $\overline{\text{TACLK}}$ | | | | | |
| 19, H3-P1.1 | 15-P1.1 | TA0.0 | CCI0A | CCR0 | TA0 | TA0.0 | 19, H3-P1.1 | 15-P1.1 |
| | | DV _{SS} | CCI0B | | | | | |
| | | DV _{SS} | GND | | | | | |
| | | DV _{CC} | V _{CC} | | | | | |
| 20, J3-P1.2 | 16-P1.2 | TA0.1 | CCI1A | CCR1 | TA1 | TA0.1 | 20, J3-P1.2 | 16-P1.2 |
| | | CBOUT (internal) | CCI1B | | | | ADC10 (internal) ⁽¹⁾ ADC10SHSx = {1} | ADC10 (internal) ⁽¹⁾ ADC10SHSx = {1} |
| | | DV _{SS} | GND | | | | | |
| | | DV _{CC} | V _{CC} | | | | | |
| 21, G4-P1.3 | 17-P1.3 | TA0.2 | CCI2A | CCR2 | TA2 | TA0.2 | 21, G4-P1.3 | 17-P1.3 |
| | | ACLK (internal) | CCI2B | | | | | |
| | | DV _{SS} | GND | | | | | |
| | | DV _{CC} | V _{CC} | | | | | |
| 22, H4-P1.4 | 18-P1.4 | TA0.3 | CCI3A | CCR3 | TA3 | TA0.3 | 22, H4-P1.4 | 18-P1.4 |
| | | DV _{SS} | CCI3B | | | | | |
| | | DV _{SS} | GND | | | | | |
| | | DV _{CC} | V _{CC} | | | | | |
| 23, J4-P1.5 | 19-P1.5 | TA0.4 | CCI4A | CCR4 | TA4 | TA0.4 | 23, J4-P1.5 | 19-P1.5 |
| | | DV _{SS} | CCI4B | | | | | |
| | | DV _{SS} | GND | | | | | |
| | | DV _{CC} | V _{CC} | | | | | |

(1) Only on devices with ADC.

6.9.12 TA1 (Link to User's Guide)

TA1 is a 16-bit timer/counter (Timer_A type) with three capture/compare registers. TA1 can support multiple capture/compares, PWM outputs, and interval timing (see [Table 6-12](#)). TA1 also has extensive interrupt capabilities. Interrupts may be generated from the counter on overflow conditions and from each of the capture/compare registers.

Table 6-12. TA1 Signal Connections

| INPUT PIN NUMBER | | DEVICE INPUT SIGNAL | MODULE INPUT SIGNAL | MODULE BLOCK | MODULE OUTPUT SIGNAL | DEVICE OUTPUT SIGNAL | OUTPUT PIN NUMBER | |
|------------------|---------|---------------------|---------------------------|--------------|----------------------|----------------------|-------------------|---------|
| RGC, ZXH, ZQE | RGZ, PT | | | | | | RGC, ZXH, ZQE | RGZ, PT |
| 24, G5-P1.6 | 20-P1.6 | TA1CLK | TACLK | Timer | NA | NA | | |
| | | ACLK (internal) | ACLK | | | | | |
| | | SMCLK (internal) | SMCLK | | | | | |
| 24, G5-P1.6 | 20-P1.6 | TA1CLK | $\overline{\text{TACLK}}$ | CCR0 | TA0 | TA1.0 | | |
| 25, H5-P1.7 | 21-P1.7 | TA1.0 | CCI0A | | | | 25, H5-P1.7 | 21-P1.7 |
| | | DV _{SS} | CCI0B | | | | | |
| | | DV _{SS} | GND | | | | | |
| | | DV _{CC} | V _{CC} | | | | | |
| 26, J5-P2.0 | 22-P2.0 | TA1.1 | CCI1A | CCR1 | TA1 | TA1.1 | 26, J5-P2.0 | 22-P2.0 |
| | | CBOUT (internal) | CCI1B | | | | | |
| | | DV _{SS} | GND | | | | | |
| | | DV _{CC} | V _{CC} | | | | | |
| 27, G6-P2.1 | | TA1.2 | CCI2A | CCR2 | TA2 | TA1.2 | 27, G6-P2.1 | |
| | | ACLK (internal) | CCI2B | | | | | |
| | | DV _{SS} | GND | | | | | |
| | | DV _{CC} | V _{CC} | | | | | |

6.9.13 TA2 (Link to User's Guide)

TA2 is a 16-bit timer/counter (Timer_A type) with three capture/compare registers. TA2 can support multiple capture/compares, PWM outputs, and interval timing (see Table 6-13). TA2 also has extensive interrupt capabilities. Interrupts may be generated from the counter on overflow conditions and from each of the capture/compare registers.

Table 6-13. TA2 Signal Connections

| INPUT PIN NUMBER | | DEVICE INPUT SIGNAL | MODULE INPUT SIGNAL | MODULE BLOCK | MODULE OUTPUT SIGNAL | DEVICE OUTPUT SIGNAL | OUTPUT PIN NUMBER | |
|------------------|---------|---------------------|---------------------------|--------------|----------------------|----------------------|-------------------|---------|
| RGC, ZXH, ZQE | RGZ, PT | | | | | | RGC, ZXH, ZQE | RGZ, PT |
| 28, J6-P2.2 | | TA2CLK | TACLK | Timer | NA | NA | | |
| | | ACLK (internal) | ACLK | | | | | |
| | | SMCLK (internal) | SMCLK | | | | | |
| 28, J6-P2.2 | | TA2CLK | $\overline{\text{TACLK}}$ | CCR0 | TA0 | TA2.0 | | |
| 29, H6-P2.3 | | TA2.0 | CCI0A | | | | 29, H6-P2.3 | |
| | | DV _{SS} | CCI0B | | | | | |
| | | DV _{SS} | GND | | | | | |
| | | DV _{CC} | V _{CC} | | | | | |
| 30, J7-P2.4 | | TA2.1 | CCI1A | CCR1 | TA1 | TA2.1 | 30, J7-P2.4 | |
| | | CBOUT (internal) | CCI1B | | | | | |
| | | DV _{SS} | GND | | | | | |
| | | DV _{CC} | V _{CC} | | | | | |
| 31, J8-P2.5 | | TA2.2 | CCI2A | CCR2 | TA2 | TA2.2 | 31, J8-P2.5 | |
| | | ACLK (internal) | CCI2B | | | | | |
| | | DV _{SS} | GND | | | | | |
| | | DV _{CC} | V _{CC} | | | | | |

6.9.14 TB0 (Link to User's Guide)

TB0 is a 16-bit timer/counter (Timer_B type) with seven capture/compare registers. TB0 can support multiple capture/compares, PWM outputs, and interval timing (see Table 6-14). TB0 also has extensive interrupt capabilities. Interrupts may be generated from the counter on overflow conditions and from each of the capture/compare registers.

Table 6-14. TB0 Signal Connections

| INPUT PIN NUMBER | | DEVICE INPUT SIGNAL | MODULE INPUT SIGNAL | MODULE BLOCK | MODULE OUTPUT SIGNAL | DEVICE OUTPUT SIGNAL | OUTPUT PIN NUMBER | |
|------------------------------|------------------------|---------------------|---------------------------|--------------|----------------------|----------------------|--|--|
| RGC, ZXH, ZQE ⁽¹⁾ | RGZ, PT ⁽¹⁾ | | | | | | RGC, ZXH, ZQE ⁽¹⁾ | RGZ, PT ⁽¹⁾ |
| | | TB0CLK | TBCLK | Timer | NA | NA | | |
| | | ACLK (internal) | ACLK | | | | | |
| | | SMCLK (internal) | SMCLK | | | | | |
| | | TB0CLK | $\overline{\text{TBCLK}}$ | | | | | |
| | | TB0.0 | CCI0A | CCR0 | TB0 | TB0.0 | ADC10 (internal) ⁽²⁾ ADC10SHSx = {2} | ADC10 (internal) ⁽²⁾ ADC10SHSx = {2} |
| | | TB0.0 | CCI0B | | | | | |
| | | DV _{SS} | GND | | | | | |
| | | DV _{CC} | V _{CC} | | | | | |
| | | TB0.1 | CCI1A | CCR1 | TB1 | TB0.1 | ADC10 (internal) ADC10SHSx = {3} | ADC10 (internal) ADC10SHSx = {3} |
| | | C Bout (internal) | CCI1B | | | | | |
| | | DV _{SS} | GND | | | | | |
| | | DV _{CC} | V _{CC} | | | | | |
| | | TB0.2 | CCI2A | CCR2 | TB2 | TB0.2 | | |
| | | TB0.2 | CCI2B | | | | | |
| | | DV _{SS} | GND | | | | | |
| | | DV _{CC} | V _{CC} | | | | | |
| | | TB0.3 | CCI3A | CCR3 | TB3 | TB0.3 | | |
| | | TB0.3 | CCI3B | | | | | |
| | | DV _{SS} | GND | | | | | |
| | | DV _{CC} | V _{CC} | | | | | |
| | | TB0.4 | CCI4A | CCR4 | TB4 | TB0.4 | | |
| | | TB0.4 | CCI4B | | | | | |
| | | DV _{SS} | GND | | | | | |
| | | DV _{CC} | V _{CC} | | | | | |
| | | TB0.5 | CCI5A | CCR5 | TB5 | TB0.5 | | |
| | | TB0.5 | CCI5B | | | | | |
| | | DV _{SS} | GND | | | | | |
| | | DV _{CC} | V _{CC} | | | | | |
| | | TB0.6 | CCI6A | CCR6 | TB6 | TB0.6 | | |
| | | ACLK (internal) | CCI6B | | | | | |
| | | DV _{SS} | GND | | | | | |
| | | DV _{CC} | V _{CC} | | | | | |

(1) Timer functions selectable through the port mapping controller.

(2) Only on devices with ADC.

6.9.15 **Comparator_B** ([Link to User's Guide](#))

The primary function of the Comparator_B module is to support precision slope analog-to-digital conversions, battery voltage supervision, and monitoring of external analog signals.

6.9.16 **ADC10_A** ([Link to User's Guide](#))

The ADC10_A module supports fast 10-bit analog-to-digital conversions. The module implements a 10-bit SAR core, sample select control, reference generator, and a conversion result buffer. A window comparator with lower and upper limits allows CPU-independent result monitoring with three window comparator interrupt flags.

6.9.17 **CRC16** ([Link to User's Guide](#))

The CRC16 module produces a signature based on a sequence of entered data values and can be used for data checking purposes. The CRC16 module signature is based on the CRC-CCITT standard.

6.9.18 **Reference (REF) Voltage Reference** ([Link to User's Guide](#))

The REF module is responsible for generation of all critical reference voltages that can be used by the various analog peripherals in the device.

6.9.19 **Universal Serial Bus (USB)** ([Link to User's Guide](#))

The USB module is a fully integrated USB interface that is compliant with the USB 2.0 specification. The module supports full-speed operation of control, interrupt, and bulk transfers. The module includes an integrated LDO, PHY, and PLL. The PLL is highly flexible and supports a wide range of input clock frequencies. USB RAM, when not used for USB communication, can be used by the system.

6.9.20 **Embedded Emulation Module (EEM) (S Version)** ([Link to User's Guide](#))

The EEM supports real-time in-system debugging. The S version of the EEM has the following features:

- Three hardware triggers or breakpoints on memory access
- One hardware trigger or breakpoint on CPU register write access
- Up to four hardware triggers can be combined to form complex triggers or breakpoints
- One cycle counter
- Clock control on module level

6.10 Peripheral File Map

Table 6-15 lists the base address for the registers of all supported peripherals.

Table 6-15. Peripherals

| MODULE NAME | BASE ADDRESS | OFFSET ADDRESS RANGE |
|--|--------------|----------------------|
| Special Functions (see Table 6-16) | 0100h | 000h–01Fh |
| PMM (see Table 6-17) | 0120h | 000h–010h |
| Flash Control (see Table 6-18) | 0140h | 000h–00Fh |
| CRC16 (see Table 6-19) | 0150h | 000h–007h |
| RAM Control (see Table 6-20) | 0158h | 000h–001h |
| Watchdog (see Table 6-21) | 015Ch | 000h–001h |
| UCS (see Table 6-22) | 0160h | 000h–01Fh |
| SYS (see Table 6-23) | 0180h | 000h–01Fh |
| Shared Reference (see Table 6-24) | 01B0h | 000h–001h |
| Port Mapping Control (see Table 6-25) | 01C0h | 000h–002h |
| Port Mapping Port P4 (see Table 6-25) | 01E0h | 000h–007h |
| Port P1, P2 (see Table 6-26) | 0200h | 000h–01Fh |
| Port P3, P4 (see Table 6-27) | 0220h | 000h–00Bh |
| Port P5, P6 (see Table 6-28) | 0240h | 000h–00Bh |
| Port PJ (see Table 6-29) | 0320h | 000h–01Fh |
| TA0 (see Table 6-30) | 0340h | 000h–02Eh |
| TA1 (see Table 6-31) | 0380h | 000h–02Eh |
| TB0 (see Table 6-32) | 03C0h | 000h–02Eh |
| TA2 (see Table 6-33) | 0400h | 000h–02Eh |
| Real-Time Clock (RTC_A) (see Table 6-34) | 04A0h | 000h–01Bh |
| 32-Bit Hardware Multiplier (see Table 6-35) | 04C0h | 000h–02Fh |
| DMA General Control (see Table 6-36) | 0500h | 000h–00Fh |
| DMA Channel 0 (see Table 6-36) | 0510h | 000h–00Ah |
| DMA Channel 1 (see Table 6-36) | 0520h | 000h–00Ah |
| DMA Channel 2 (see Table 6-36) | 0530h | 000h–00Ah |
| USCI_A0 (see Table 6-37) | 05C0h | 000h–01Fh |
| USCI_B0 (see Table 6-38) | 05E0h | 000h–01Fh |
| USCI_A1 (see Table 6-39) | 0600h | 000h–01Fh |
| USCI_B1 (see Table 6-40) | 0620h | 000h–01Fh |
| ADC10_A (see Table 6-41) | 0740h | 000h–01Fh |
| Comparator_B (see Table 6-42) | 08C0h | 000h–00Fh |
| USB configuration (see Table 6-43) | 0900h | 000h–014h |
| USB control (see Table 6-44) | 0920h | 000h–01Fh |

Table 6-16. Special Function Registers (Base Address: 0100h)

| REGISTER DESCRIPTION | REGISTER | OFFSET |
|-----------------------|----------|--------|
| SFR interrupt enable | SFRIE1 | 00h |
| SFR interrupt flag | SFRIFG1 | 02h |
| SFR reset pin control | SFRRPCR | 04h |

Table 6-17. PMM Registers (Base Address: 0120h)

| REGISTER DESCRIPTION | REGISTER | OFFSET |
|--------------------------|----------|--------|
| PMM control 0 | PMMCTL0 | 00h |
| PMM control 1 | PMMCTL1 | 02h |
| SVS high-side control | SVSMHCTL | 04h |
| SVS low-side control | SVSMLCTL | 06h |
| PMM interrupt flags | PMMIFG | 0Ch |
| PMM interrupt enable | PMMIE | 0Eh |
| PMM power mode 5 control | PM5CTL0 | 10h |

Table 6-18. Flash Control Registers (Base Address: 0140h)

| REGISTER DESCRIPTION | REGISTER | OFFSET |
|----------------------|----------|--------|
| Flash control 1 | FCTL1 | 00h |
| Flash control 3 | FCTL3 | 04h |
| Flash control 4 | FCTL4 | 06h |

Table 6-19. CRC16 Registers (Base Address: 0150h)

| REGISTER DESCRIPTION | REGISTER | OFFSET |
|-------------------------------|-----------|--------|
| CRC data input | CRC16DI | 00h |
| CRC data input reverse byte | CRCDIRB | 02h |
| CRC initialization and result | CRCINIRES | 04h |
| CRC result reverse byte | CRCRESR | 06h |

Table 6-20. RAM Control Registers (Base Address: 0158h)

| REGISTER DESCRIPTION | REGISTER | OFFSET |
|----------------------|----------|--------|
| RAM control 0 | RCCTL0 | 00h |

Table 6-21. Watchdog Registers (Base Address: 015Ch)

| REGISTER DESCRIPTION | REGISTER | OFFSET |
|------------------------|----------|--------|
| Watchdog timer control | WDTCTL | 00h |

Table 6-22. UCS Registers (Base Address: 0160h)

| REGISTER DESCRIPTION | REGISTER | OFFSET |
|----------------------|----------|--------|
| UCS control 0 | UCSCTL0 | 00h |
| UCS control 1 | UCSCTL1 | 02h |
| UCS control 2 | UCSCTL2 | 04h |
| UCS control 3 | UCSCTL3 | 06h |
| UCS control 4 | UCSCTL4 | 08h |
| UCS control 5 | UCSCTL5 | 0Ah |
| UCS control 6 | UCSCTL6 | 0Ch |
| UCS control 7 | UCSCTL7 | 0Eh |
| UCS control 8 | UCSCTL8 | 10h |

Table 6-23. SYS Registers (Base Address: 0180h)

| REGISTER DESCRIPTION | REGISTER | OFFSET |
|-------------------------------|-----------|--------|
| System control | SYSCTL | 00h |
| Bootloader configuration area | SYSBSLC | 02h |
| JTAG mailbox control | SYSJMBC | 06h |
| JTAG mailbox input 0 | SYSJMBI0 | 08h |
| JTAG mailbox input 1 | SYSJMBI1 | 0Ah |
| JTAG mailbox output 0 | SYSJMBO0 | 0Ch |
| JTAG mailbox output 1 | SYSJMBO1 | 0Eh |
| Bus error vector generator | SYSBERRIV | 18h |
| User NMI vector generator | SYSUNIV | 1Ah |
| System NMI vector generator | SYSSNIV | 1Ch |
| Reset vector generator | SYSRSTIV | 1Eh |

Table 6-24. Shared Reference Registers (Base Address: 01B0h)

| REGISTER DESCRIPTION | REGISTER | OFFSET |
|--------------------------|----------|--------|
| Shared reference control | REFCTL | 00h |

**Table 6-25. Port Mapping Registers
(Base Address of Port Mapping Control: 01C0h, Port P4: 01E0h)**

| REGISTER DESCRIPTION | REGISTER | OFFSET |
|----------------------|------------|--------|
| Port mapping key/ID | P4MAPKEYID | 00h |
| Port mapping control | P4MAPCTL | 02h |
| Port P4.0 mapping | P4MAP0 | 00h |
| Port P4.1 mapping | P4MAP1 | 01h |
| Port P4.2 mapping | P4MAP2 | 02h |
| Port P4.3 mapping | P4MAP3 | 03h |
| Port P4.4 mapping | P4MAP4 | 04h |
| Port P4.5 mapping | P4MAP5 | 05h |
| Port P4.6 mapping | P4MAP6 | 06h |
| Port P4.7 mapping | P4MAP7 | 07h |

Table 6-26. Port P1, P2 Registers (Base Address: 0200h)

| REGISTER DESCRIPTION | REGISTER | OFFSET |
|-------------------------------|----------|--------|
| Port P1 input | P1IN | 00h |
| Port P1 output | P1OUT | 02h |
| Port P1 direction | P1DIR | 04h |
| Port P1 resistor enable | P1REN | 06h |
| Port P1 drive strength | P1DS | 08h |
| Port P1 selection | P1SEL | 0Ah |
| Port P1 interrupt vector word | P1IV | 0Eh |
| Port P1 interrupt edge select | P1IES | 18h |
| Port P1 interrupt enable | P1IE | 1Ah |
| Port P1 interrupt flag | P1IFG | 1Ch |
| Port P2 input | P2IN | 01h |
| Port P2 output | P2OUT | 03h |
| Port P2 direction | P2DIR | 05h |
| Port P2 resistor enable | P2REN | 07h |
| Port P2 drive strength | P2DS | 09h |
| Port P2 selection | P2SEL | 0Bh |
| Port P2 interrupt vector word | P2IV | 1Eh |
| Port P2 interrupt edge select | P2IES | 19h |
| Port P2 interrupt enable | P2IE | 1Bh |
| Port P2 interrupt flag | P2IFG | 1Dh |

Table 6-27. Port P3, P4 Registers (Base Address: 0220h)

| REGISTER DESCRIPTION | REGISTER | OFFSET |
|-------------------------|----------|--------|
| Port P3 input | P3IN | 00h |
| Port P3 output | P3OUT | 02h |
| Port P3 direction | P3DIR | 04h |
| Port P3 resistor enable | P3REN | 06h |
| Port P3 drive strength | P3DS | 08h |
| Port P3 selection | P3SEL | 0Ah |
| Port P4 input | P4IN | 01h |
| Port P4 output | P4OUT | 03h |
| Port P4 direction | P4DIR | 05h |
| Port P4 resistor enable | P4REN | 07h |
| Port P4 drive strength | P4DS | 09h |
| Port P4 selection | P4SEL | 0Bh |

Table 6-28. Port P5, P6 Registers (Base Address: 0240h)

| REGISTER DESCRIPTION | REGISTER | OFFSET |
|-------------------------|----------|--------|
| Port P5 input | P5IN | 00h |
| Port P5 output | P5OUT | 02h |
| Port P5 direction | P5DIR | 04h |
| Port P5 resistor enable | P5REN | 06h |
| Port P5 drive strength | P5DS | 08h |
| Port P5 selection | P5SEL | 0Ah |
| Port P6 input | P6IN | 01h |
| Port P6 output | P6OUT | 03h |
| Port P6 direction | P6DIR | 05h |
| Port P6 resistor enable | P6REN | 07h |
| Port P6 drive strength | P6DS | 09h |
| Port P6 selection | P6SEL | 0Bh |

Table 6-29. Port J Registers (Base Address: 0320h)

| REGISTER DESCRIPTION | REGISTER | OFFSET |
|-------------------------|----------|--------|
| Port PJ input | PJIN | 00h |
| Port PJ output | PJOUT | 02h |
| Port PJ direction | PJDIR | 04h |
| Port PJ resistor enable | PJREN | 06h |
| Port PJ drive strength | PJDS | 08h |

Table 6-30. TA0 Registers (Base Address: 0340h)

| REGISTER DESCRIPTION | REGISTER | OFFSET |
|---------------------------|----------|--------|
| TA0 control | TAOCTL | 00h |
| Capture/compare control 0 | TAOCCTL0 | 02h |
| Capture/compare control 1 | TAOCCTL1 | 04h |
| Capture/compare control 2 | TAOCCTL2 | 06h |
| Capture/compare control 3 | TAOCCTL3 | 08h |
| Capture/compare control 4 | TAOCCTL4 | 0Ah |
| TA0 counter | TAOR | 10h |
| Capture/compare 0 | TAOCCR0 | 12h |
| Capture/compare 1 | TAOCCR1 | 14h |
| Capture/compare 2 | TAOCCR2 | 16h |
| Capture/compare 3 | TAOCCR3 | 18h |
| Capture/compare 4 | TAOCCR4 | 1Ah |
| TA0 expansion 0 | TAOEX0 | 20h |
| TA0 interrupt vector | TA0IV | 2Eh |

Table 6-31. TA1 Registers (Base Address: 0380h)

| REGISTER DESCRIPTION | REGISTER | OFFSET |
|---------------------------|----------|--------|
| TA1 control | TA1CTL | 00h |
| Capture/compare control 0 | TA1CCTL0 | 02h |
| Capture/compare control 1 | TA1CCTL1 | 04h |
| Capture/compare control 2 | TA1CCTL2 | 06h |
| TA1 counter | TA1R | 10h |
| Capture/compare 0 | TA1CCR0 | 12h |
| Capture/compare 1 | TA1CCR1 | 14h |
| Capture/compare 2 | TA1CCR2 | 16h |
| TA1 expansion 0 | TA1EX0 | 20h |
| TA1 interrupt vector | TA1IV | 2Eh |

Table 6-32. TB0 Registers (Base Address: 03C0h)

| REGISTER DESCRIPTION | REGISTER | OFFSET |
|---------------------------|----------|--------|
| TB0 control | TB0CTL | 00h |
| Capture/compare control 0 | TB0CCTL0 | 02h |
| Capture/compare control 1 | TB0CCTL1 | 04h |
| Capture/compare control 2 | TB0CCTL2 | 06h |
| Capture/compare control 3 | TB0CCTL3 | 08h |
| Capture/compare control 4 | TB0CCTL4 | 0Ah |
| Capture/compare control 5 | TB0CCTL5 | 0Ch |
| Capture/compare control 6 | TB0CCTL6 | 0Eh |
| TB0 counter | TB0R | 10h |
| Capture/compare 0 | TB0CCR0 | 12h |
| Capture/compare 1 | TB0CCR1 | 14h |
| Capture/compare 2 | TB0CCR2 | 16h |
| Capture/compare 3 | TB0CCR3 | 18h |
| Capture/compare 4 | TB0CCR4 | 1Ah |
| Capture/compare 5 | TB0CCR5 | 1Ch |
| Capture/compare 6 | TB0CCR6 | 1Eh |
| TB0 expansion 0 | TB0EX0 | 20h |
| TB0 interrupt vector | TB0IV | 2Eh |

Table 6-33. TA2 Registers (Base Address: 0400h)

| REGISTER DESCRIPTION | REGISTER | OFFSET |
|---------------------------|----------|--------|
| TA2 control | TA2CTL | 00h |
| Capture/compare control 0 | TA2CCTL0 | 02h |
| Capture/compare control 1 | TA2CCTL1 | 04h |
| Capture/compare control 2 | TA2CCTL2 | 06h |
| TA2 counter | TA2R | 10h |
| Capture/compare 0 | TA2CCR0 | 12h |
| Capture/compare 1 | TA2CCR1 | 14h |
| Capture/compare 2 | TA2CCR2 | 16h |
| TA2 expansion 0 | TA2EX0 | 20h |
| TA2 interrupt vector | TA2IV | 2Eh |

Table 6-34. Real-Time Clock Registers (Base Address: 04A0h)

| REGISTER DESCRIPTION | REGISTER | OFFSET |
|------------------------------------|----------------|--------|
| RTC control 0 | RTCCTL0 | 00h |
| RTC control 1 | RTCCTL1 | 01h |
| RTC control 2 | RTCCTL2 | 02h |
| RTC control 3 | RTCCTL3 | 03h |
| RTC prescaler 0 control | RTCPS0CTL | 08h |
| RTC prescaler 1 control | RTCPS1CTL | 0Ah |
| RTC prescaler 0 | RTCPS0 | 0Ch |
| RTC prescaler 1 | RTCPS1 | 0Dh |
| RTC interrupt vector word | RTCIV | 0Eh |
| RTC seconds/counter 1 | RTCSEC/RTCNT1 | 10h |
| RTC minutes/counter 2 | RTCMIN/RTCNT2 | 11h |
| RTC hours/counter 3 | RTCHOUR/RTCNT3 | 12h |
| RTC day of week/counter register 4 | RTCDOW/RTCNT4 | 13h |
| RTC days | RTCDAY | 14h |
| RTC month | RTCMON | 15h |
| RTC year low | RTCYEARL | 16h |
| RTC year high | RTCYEARH | 17h |
| RTC alarm minutes | RTCAMIN | 18h |
| RTC alarm hours | RTCAHOUR | 19h |
| RTC alarm day of week | RTCADOW | 1Ah |
| RTC alarm days | RTCADAY | 1Bh |

Table 6-35. 32-Bit Hardware Multiplier Registers (Base Address: 04C0h)

| REGISTER DESCRIPTION | REGISTER | OFFSET |
|---|-----------|--------|
| 16-bit operand 1 – multiply | MPY | 00h |
| 16-bit operand 1 – signed multiply | MPYS | 02h |
| 16-bit operand 1 – multiply accumulate | MAC | 04h |
| 16-bit operand 1 – signed multiply accumulate | MACS | 06h |
| 16-bit operand 2 | OP2 | 08h |
| 16 × 16 result low word | RESLO | 0Ah |
| 16 × 16 result high word | RESHI | 0Ch |
| 16 × 16 sum extension register | SUMEXT | 0Eh |
| 32-bit operand 1 – multiply low word | MPY32L | 10h |
| 32-bit operand 1 – multiply high word | MPY32H | 12h |
| 32-bit operand 1 – signed multiply low word | MPYS32L | 14h |
| 32-bit operand 1 – signed multiply high word | MPYS32H | 16h |
| 32-bit operand 1 – multiply accumulate low word | MAC32L | 18h |
| 32-bit operand 1 – multiply accumulate high word | MAC32H | 1Ah |
| 32-bit operand 1 – signed multiply accumulate low word | MACS32L | 1Ch |
| 32-bit operand 1 – signed multiply accumulate high word | MACS32H | 1Eh |
| 32-bit operand 2 – low word | OP2L | 20h |
| 32-bit operand 2 – high word | OP2H | 22h |
| 32 × 32 result 0 – least significant word | RES0 | 24h |
| 32 × 32 result 1 | RES1 | 26h |
| 32 × 32 result 2 | RES2 | 28h |
| 32 × 32 result 3 – most significant word | RES3 | 2Ah |
| MPY32 control 0 | MPY32CTL0 | 2Ch |

Table 6-36. DMA Registers (Base Address DMA General Control: 0500h, DMA Channel 0: 0510h, DMA Channel 1: 0520h, DMA Channel 2: 0530h)

| REGISTER DESCRIPTION | REGISTER | OFFSET |
|--|----------|--------|
| DMA channel 0 control | DMA0CTL | 00h |
| DMA channel 0 source address low | DMA0SAL | 02h |
| DMA channel 0 source address high | DMA0SAH | 04h |
| DMA channel 0 destination address low | DMA0DAL | 06h |
| DMA channel 0 destination address high | DMA0DAH | 08h |
| DMA channel 0 transfer size | DMA0SZ | 0Ah |
| DMA channel 1 control | DMA1CTL | 00h |
| DMA channel 1 source address low | DMA1SAL | 02h |
| DMA channel 1 source address high | DMA1SAH | 04h |
| DMA channel 1 destination address low | DMA1DAL | 06h |
| DMA channel 1 destination address high | DMA1DAH | 08h |
| DMA channel 1 transfer size | DMA1SZ | 0Ah |
| DMA channel 2 control | DMA2CTL | 00h |
| DMA channel 2 source address low | DMA2SAL | 02h |
| DMA channel 2 source address high | DMA2SAH | 04h |
| DMA channel 2 destination address low | DMA2DAL | 06h |
| DMA channel 2 destination address high | DMA2DAH | 08h |
| DMA channel 2 transfer size | DMA2SZ | 0Ah |
| DMA module control 0 | DMACTL0 | 00h |
| DMA module control 1 | DMACTL1 | 02h |
| DMA module control 2 | DMACTL2 | 04h |
| DMA module control 3 | DMACTL3 | 06h |
| DMA module control 4 | DMACTL4 | 08h |
| DMA interrupt vector | DMAIV | 0Ah |

Table 6-37. USCI_A0 Registers (Base Address: 05C0h)

| REGISTER DESCRIPTION | REGISTER | OFFSET |
|----------------------------|------------|--------|
| USCI control 1 | UCA0CTL1 | 00h |
| USCI control 0 | UCA0CTL0 | 01h |
| USCI baud rate 0 | UCA0BR0 | 06h |
| USCI baud rate 1 | UCA0BR1 | 07h |
| USCI modulation control | UCA0MCTL | 08h |
| USCI status | UCA0STAT | 0Ah |
| USCI receive buffer | UCA0RXBUF | 0Ch |
| USCI transmit buffer | UCA0TXBUF | 0Eh |
| USCI LIN control | UCA0ABCTL | 10h |
| USCI IrDA transmit control | UCA0IRTCTL | 12h |
| USCI IrDA receive control | UCA0IRRCTL | 13h |
| USCI interrupt enable | UCA0IE | 1Ch |
| USCI interrupt flags | UCA0IFG | 1Dh |
| USCI interrupt vector word | UCA0IV | 1Eh |

Table 6-38. USCI_B0 Registers (Base Address: 05E0h)

| REGISTER DESCRIPTION | REGISTER | OFFSET |
|----------------------------------|-----------|--------|
| USCI synchronous control 1 | UCB0CTL1 | 00h |
| USCI synchronous control 0 | UCB0CTL0 | 01h |
| USCI synchronous bit rate 0 | UCB0BR0 | 06h |
| USCI synchronous bit rate 1 | UCB0BR1 | 07h |
| USCI synchronous status | UCB0STAT | 0Ah |
| USCI synchronous receive buffer | UCB0RXBUF | 0Ch |
| USCI synchronous transmit buffer | UCB0TXBUF | 0Eh |
| USCI I2C own address | UCB0I2COA | 10h |
| USCI I2C slave address | UCB0I2CSA | 12h |
| USCI interrupt enable | UCB0IE | 1Ch |
| USCI interrupt flags | UCB0IFG | 1Dh |
| USCI interrupt vector word | UCB0IV | 1Eh |

Table 6-39. USCI_A1 Registers (Base Address: 0600h)

| REGISTER DESCRIPTION | REGISTER | OFFSET |
|----------------------------|------------|--------|
| USCI control 1 | UCA1CTL1 | 00h |
| USCI control 0 | UCA1CTL0 | 01h |
| USCI baud rate 0 | UCA1BR0 | 06h |
| USCI baud rate 1 | UCA1BR1 | 07h |
| USCI modulation control | UCA1MCTL | 08h |
| USCI status | UCA1STAT | 0Ah |
| USCI receive buffer | UCA1RXBUF | 0Ch |
| USCI transmit buffer | UCA1TXBUF | 0Eh |
| USCI LIN control | UCA1ABCTL | 10h |
| USCI IrDA transmit control | UCA1IRTCTL | 12h |
| USCI IrDA receive control | UCA1IRRCTL | 13h |
| USCI interrupt enable | UCA1IE | 1Ch |
| USCI interrupt flags | UCA1IFG | 1Dh |
| USCI interrupt vector word | UCA1IV | 1Eh |

Table 6-40. USCI_B1 Registers (Base Address: 0620h)

| REGISTER DESCRIPTION | REGISTER | OFFSET |
|----------------------------------|-----------|--------|
| USCI synchronous control 1 | UCB1CTL1 | 00h |
| USCI synchronous control 0 | UCB1CTL0 | 01h |
| USCI synchronous bit rate 0 | UCB1BR0 | 06h |
| USCI synchronous bit rate 1 | UCB1BR1 | 07h |
| USCI synchronous status | UCB1STAT | 0Ah |
| USCI synchronous receive buffer | UCB1RXBUF | 0Ch |
| USCI synchronous transmit buffer | UCB1TXBUF | 0Eh |
| USCI I2C own address | UCB1I2COA | 10h |
| USCI I2C slave address | UCB1I2CSA | 12h |
| USCI interrupt enable | UCB1IE | 1Ch |
| USCI interrupt flags | UCB1IFG | 1Dh |
| USCI interrupt vector word | UCB1IV | 1Eh |

Table 6-41. ADC10_A Registers (Base Address: 0740h)

| REGISTER DESCRIPTION | REGISTER | OFFSET |
|--|------------|--------|
| ADC10_A control 0 | ADC10CTL0 | 00h |
| ADC10_A control 1 | ADC10CTL1 | 02h |
| ADC10_A control 2 | ADC10CTL2 | 04h |
| ADC10_A window comparator low threshold | ADC10LO | 06h |
| ADC10_A window comparator high threshold | ADC10HI | 08h |
| ADC10_A memory control 0 | ADC10MCTL0 | 0Ah |
| ADC10_A conversion memory | ADC10MEM0 | 12h |
| ADC10_A interrupt enable | ADC10IE | 1Ah |
| ADC10_A interrupt flags | ADC10IGH | 1Ch |
| ADC10_A interrupt vector word | ADC10IV | 1Eh |

Table 6-42. Comparator_B Registers (Base Address: 08C0h)

| REGISTER DESCRIPTION | REGISTER | OFFSET |
|------------------------------|----------|--------|
| Comp_B control 0 | CBCTL0 | 00h |
| Comp_B control 1 | CBCTL1 | 02h |
| Comp_B control 2 | CBCTL2 | 04h |
| Comp_B control 3 | CBCTL3 | 06h |
| Comp_B interrupt | CBINT | 0Ch |
| Comp_B interrupt vector word | CBIV | 0Eh |

Table 6-43. USB Configuration Registers (Base Address: 0900h)

| REGISTER DESCRIPTION | REGISTER | OFFSET |
|--------------------------|------------|--------|
| USB key/ID | USBKEYPID | 00h |
| USB module configuration | USBCNF | 02h |
| USB PHY control | USBPHYCTL | 04h |
| USB power control | USBPWRCTL | 08h |
| USB PLL control | USBPLLCTL | 10h |
| USB PLL divider | USBPLLDIVB | 12h |
| USB PLL interrupts | USBPLLIR | 14h |

Table 6-44. USB Control Registers (Base Address: 0920h)

| REGISTER DESCRIPTION | REGISTER | OFFSET |
|-----------------------------------|-------------|--------|
| Input endpoint_0 configuration | USBIPCNF_0 | 00h |
| Input endpoint_0 byte count | USBIPCNT_0 | 01h |
| Output endpoint_0 configuration | USBOEPCNF_0 | 02h |
| Output endpoint_0 byte count | USBOEPCNT_0 | 03h |
| Input endpoint interrupt enables | USBIEPIE | 0Eh |
| Output endpoint interrupt enables | USBOEPIE | 0Fh |
| Input endpoint interrupt flags | USBIEPIFG | 10h |
| Output endpoint interrupt flags | USBOEPIFG | 11h |
| USB interrupt vector | USBIV | 12h |
| USB maintenance | USBMAINT | 16h |
| Time stamp | USBTSREG | 18h |
| USB frame number | USBFN | 1Ah |
| USB control | USBCTL | 1Ch |
| USB interrupt enables | USBIE | 1Dh |
| USB interrupt flags | USBIFG | 1Eh |
| Function address | USBFUNADR | 1Fh |

6.11 Input/Output Diagrams

6.11.1 Port P1 (P1.0 to P1.7) Input/Output With Schmitt Trigger

Figure 6-2 shows the port diagram. Table 6-45 summarizes the selection of the pin functions.

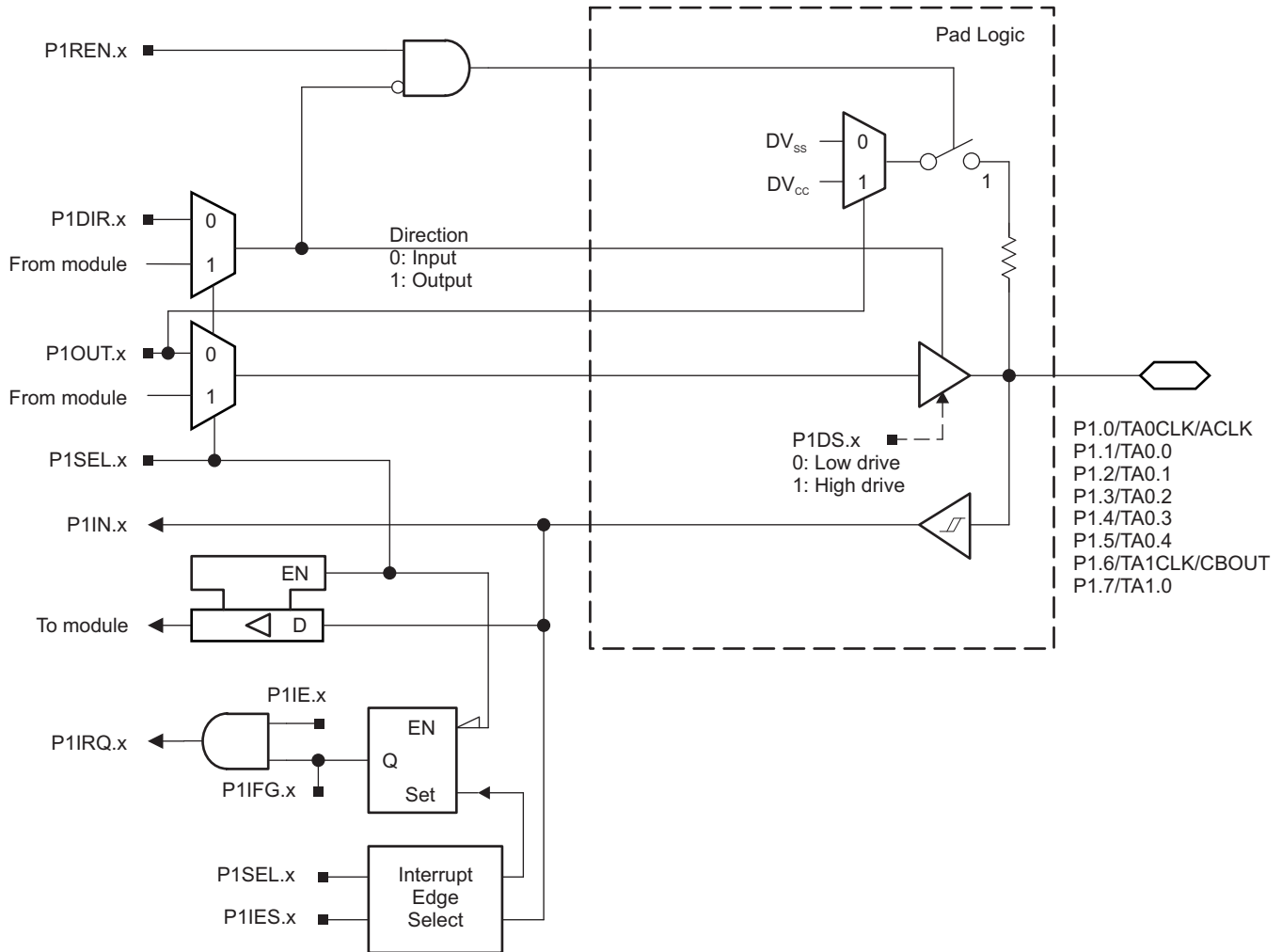


Figure 6-2. Port P1 (P1.0 to P1.7) Diagram

Table 6-45. Port P1 (P1.0 to P1.7) Pin Functions

| PIN NAME (P1.x) | x | FUNCTION | CONTROL BITS OR SIGNALS | |
|-------------------|---|--------------------|-------------------------|---------|
| | | | P1DIR.x | P1SEL.x |
| P1.0/TA0CLK/ACLK | 0 | P1.0 (I/O) | I: 0; O: 1 | 0 |
| | | TA0CLK | 0 | 1 |
| | | ACLK | 1 | 1 |
| P1.1/TA0.0 | 1 | P1.1 (I/O) | I: 0; O: 1 | 0 |
| | | TA0.CCI0A | 0 | 1 |
| | | TA0.0 | 1 | 1 |
| P1.2/TA0.1 | 2 | P1.2 (I/O) | I: 0; O: 1 | 0 |
| | | TA0.CCI1A | 0 | 1 |
| | | TA0.1 | 1 | 1 |
| P1.3/TA0.2 | 3 | P1.3 (I/O) | I: 0; O: 1 | 0 |
| | | TA0.CCI2A | 0 | 1 |
| | | TA0.2 | 1 | 1 |
| P1.4/TA0.3 | 4 | P1.4 (I/O) | I: 0; O: 1 | 0 |
| | | TA0.CCI3A | 0 | 1 |
| | | TA0.3 | 1 | 1 |
| P1.5/TA0.4 | 5 | P1.5 (I/O) | I: 0; O: 1 | 0 |
| | | TA0.CCI4A | 0 | 1 |
| | | TA0.4 | 1 | 1 |
| P1.6/TA1CLK/CBOUT | 6 | P1.6 (I/O) | I: 0; O: 1 | 0 |
| | | TA1CLK | 0 | 1 |
| | | CBOUT comparator B | 1 | 1 |
| P1.7/TA1.0 | 7 | P1.7 (I/O) | I: 0; O: 1 | 0 |
| | | TA1.CCI0A | 0 | 1 |
| | | TA1.0 | 1 | 1 |

6.11.2 Port P2 (P2.0 to P2.7) Input/Output With Schmitt Trigger

Figure 6-3 shows the port diagram. Table 6-46 summarizes the selection of the pin functions.

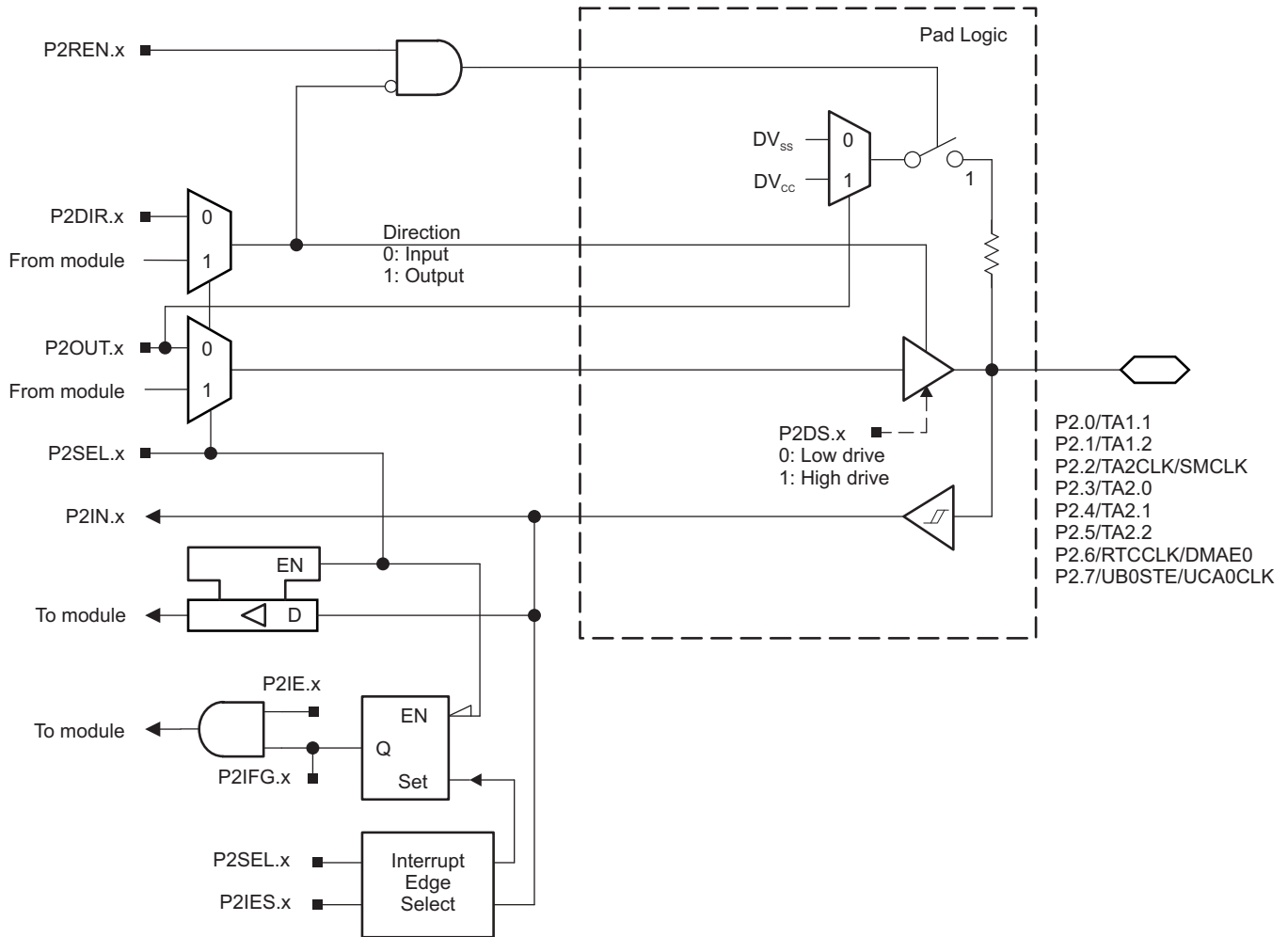


Figure 6-3. Port P2 (P2.0 to P2.7) Diagram

Table 6-46. Port P2 (P2.0 to P2.7) Pin Functions

| PIN NAME (P2.x) | x | FUNCTION | CONTROL BITS OR SIGNALS ⁽¹⁾ | |
|----------------------|---|------------------------------------|--|---------|
| | | | P2DIR.x | P2SEL.x |
| P2.0/TA1.1 | 0 | P2.0 (I/O) | I: 0; O: 1 | 0 |
| | | TA1.CCI1A | 0 | 1 |
| | | TA1.1 | 1 | 1 |
| P2.1/TA1.2 | 1 | P2.1 (I/O) | I: 0; O: 1 | 0 |
| | | TA1.CCI2A | 0 | 1 |
| | | TA1.2 | 1 | 1 |
| P2.2/TA2CLK/SMCLK | 2 | P2.2 (I/O) | I: 0; O: 1 | 0 |
| | | TA2CLK | 0 | 1 |
| | | SMCLK | 1 | 1 |
| P2.3/TA2.0 | 3 | P2.3 (I/O) | I: 0; O: 1 | 0 |
| | | TA2.CCI0A | 0 | 1 |
| | | TA2.0 | 1 | 1 |
| P2.4/TA2.1 | 4 | P2.4 (I/O) | I: 0; O: 1 | 0 |
| | | TA2.CCI1A | 0 | 1 |
| | | TA2.1 | 1 | 1 |
| P2.5/TA2.2 | 5 | P2.5 (I/O) | I: 0; O: 1 | 0 |
| | | TA2.CCI2A | 0 | 1 |
| | | TA2.2 | 1 | 1 |
| P2.6/RTCCLK/DMAE0 | 6 | P2.6 (I/O) | I: 0; O: 1 | 0 |
| | | DMAE0 | 0 | 1 |
| | | RTCCLK | 1 | 1 |
| P2.7/UCB0STE/UCA0CLK | 7 | P2.7 (I/O) | I: 0; O: 1 | 0 |
| | | UCB0STE/UCA0CLK ^{(2) (3)} | X | 1 |

(1) X = Don't care

(2) The pin direction is controlled by the USCI module.

(3) UCA0CLK function takes precedence over UCB0STE function. If the pin is required as UCA0CLK input or output, USCI_B0 is forced to 3-wire SPI mode if 4-wire SPI mode is selected.

6.11.3 Port P3 (P3.0 to P3.4) Input/Output With Schmitt Trigger

Figure 6-4 shows the port diagram. Table 6-47 summarizes the selection of the pin functions.

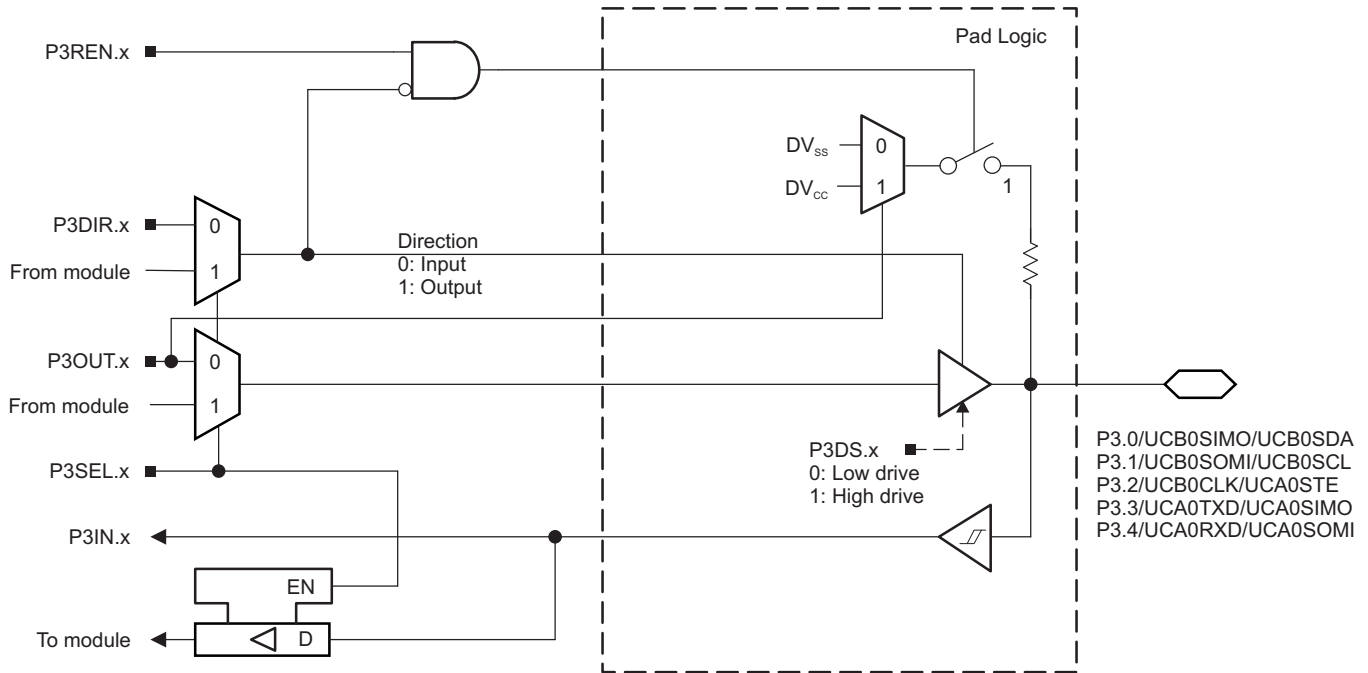


Figure 6-4. Port P3 (P3.0 to P3.7) Diagram

Table 6-47. Port P3 (P3.0 to P3.7) Pin Functions

| PIN NAME (P3.x) | x | FUNCTION | CONTROL BITS OR SIGNALS ⁽¹⁾ | |
|-----------------------|---|-------------------------------------|--|---------|
| | | | P3DIR.x | P3SEL.x |
| P3.0/UCB0SIMO/UCB0SDA | 0 | P3.0 (I/O) | I: 0; O: 1 | 0 |
| | | UCB0SIMO/UCB0SDA ^{(2) (3)} | X | 1 |
| P3.1/UCB0SOMI/UCB0SCL | 1 | P3.1 (I/O) | I: 0; O: 1 | 0 |
| | | UCB0SOMI/UCB0SCL ^{(2) (3)} | X | 1 |
| P3.2/UCB0CLK/UCA0STE | 2 | P3.2 (I/O) | I: 0; O: 1 | 0 |
| | | UCB0CLK/UCA0STE ^{(2) (4)} | X | 1 |
| P3.3/UCA0TXD/UCA0SIMO | 3 | P3.3 (I/O) | I: 0; O: 1 | 0 |
| | | UCA0TXD/UCA0SIMO ⁽²⁾ | X | 1 |
| P3.4/UCA0RXD/UCA0SOMI | 4 | P3.4 (I/O) | I: 0; O: 1 | 0 |
| | | UCA0RXD/UCA0SOMI ⁽²⁾ | X | 1 |

(1) X = Don't care

(2) The pin direction is controlled by the USCI module.

(3) If the I²C functionality is selected, the output drives only the logical 0 to V_{SS} level.

(4) UCB0CLK function takes precedence over UCA0STE function. If the pin is required as UCB0CLK input or output, USCI_A0 is forced to 3-wire SPI mode if 4-wire SPI mode is selected.

6.11.4 Port P4 (P4.0 to P4.7) Input/Output With Schmitt Trigger

Figure 6-5 shows the port diagram. Table 6-48 summarizes the selection of the pin functions.

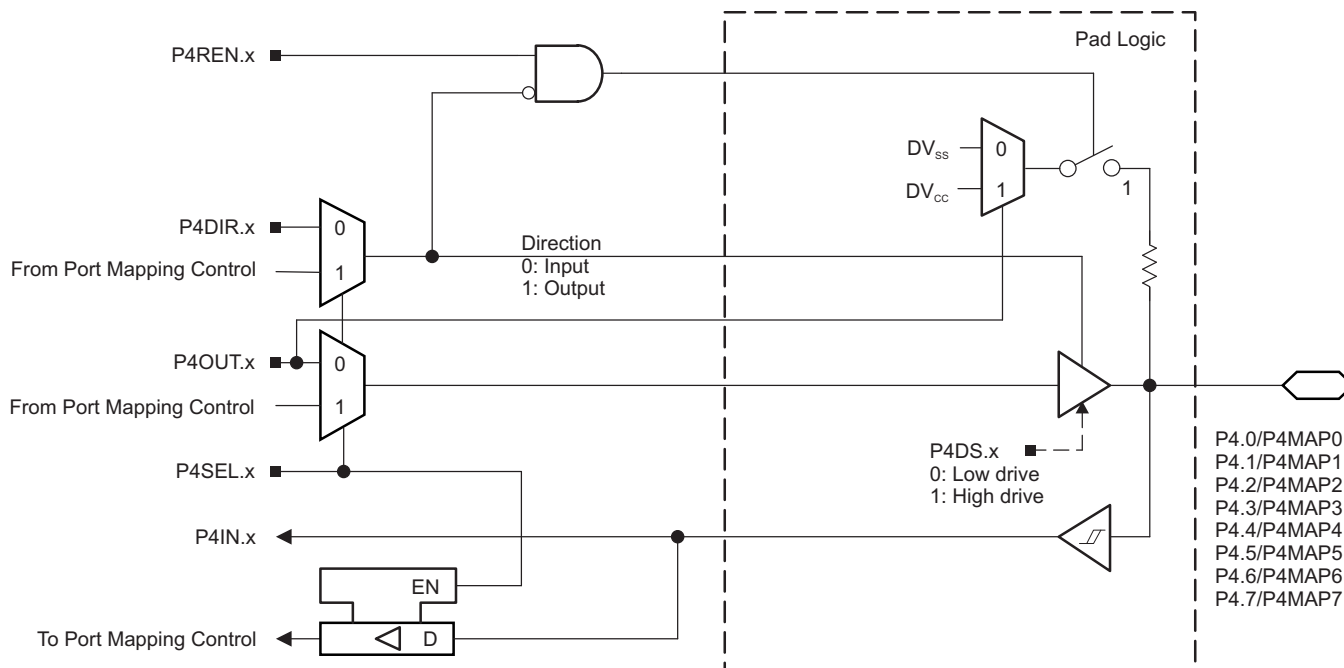


Figure 6-5. Port P4 (P4.0 to P4.7) Diagram

Table 6-48. Port P4 (P4.0 to P4.7) Pin Functions

| PIN NAME (P4.x) | x | FUNCTION | CONTROL BITS OR SIGNALS | | |
|-----------------|---|-----------------------------------|-------------------------|---------|--------|
| | | | P4DIR.x ⁽¹⁾ | P4SEL.x | P4MAPx |
| P4.0/P4MAP0 | 0 | P4.0 (I/O) | I: 0; O: 1 | 0 | X |
| | | Mapped secondary digital function | X | 1 | ≤ 30 |
| P4.1/P4MAP1 | 1 | P4.1 (I/O) | I: 0; O: 1 | 0 | X |
| | | Mapped secondary digital function | X | 1 | ≤ 30 |
| P4.2/P4MAP2 | 2 | P4.2 (I/O) | I: 0; O: 1 | 0 | X |
| | | Mapped secondary digital function | X | 1 | ≤ 30 |
| P4.3/P4MAP3 | 3 | P4.3 (I/O) | I: 0; O: 1 | 0 | X |
| | | Mapped secondary digital function | X | 1 | ≤ 30 |
| P4.4/P4MAP4 | 4 | P4.4 (I/O) | I: 0; O: 1 | 0 | X |
| | | Mapped secondary digital function | X | 1 | ≤ 30 |
| P4.5/P4MAP5 | 5 | P4.5 (I/O) | I: 0; O: 1 | 0 | X |
| | | Mapped secondary digital function | X | 1 | ≤ 30 |
| P4.6/P4MAP6 | 6 | P4.6 (I/O) | I: 0; O: 1 | 0 | X |
| | | Mapped secondary digital function | X | 1 | ≤ 30 |
| P4.7/P4MAP7 | 7 | P4.7 (I/O) | I: 0; O: 1 | 0 | X |
| | | Mapped secondary digital function | X | 1 | ≤ 30 |

(1) The direction of some mapped secondary functions are controlled directly by the module. See Table 6-7 for specific direction control information of mapped secondary functions.

6.11.5 Port P5 (P5.0 and P5.1) Input/Output With Schmitt Trigger

Figure 6-6 shows the port diagram. Table 6-49 summarizes the selection of the pin functions.

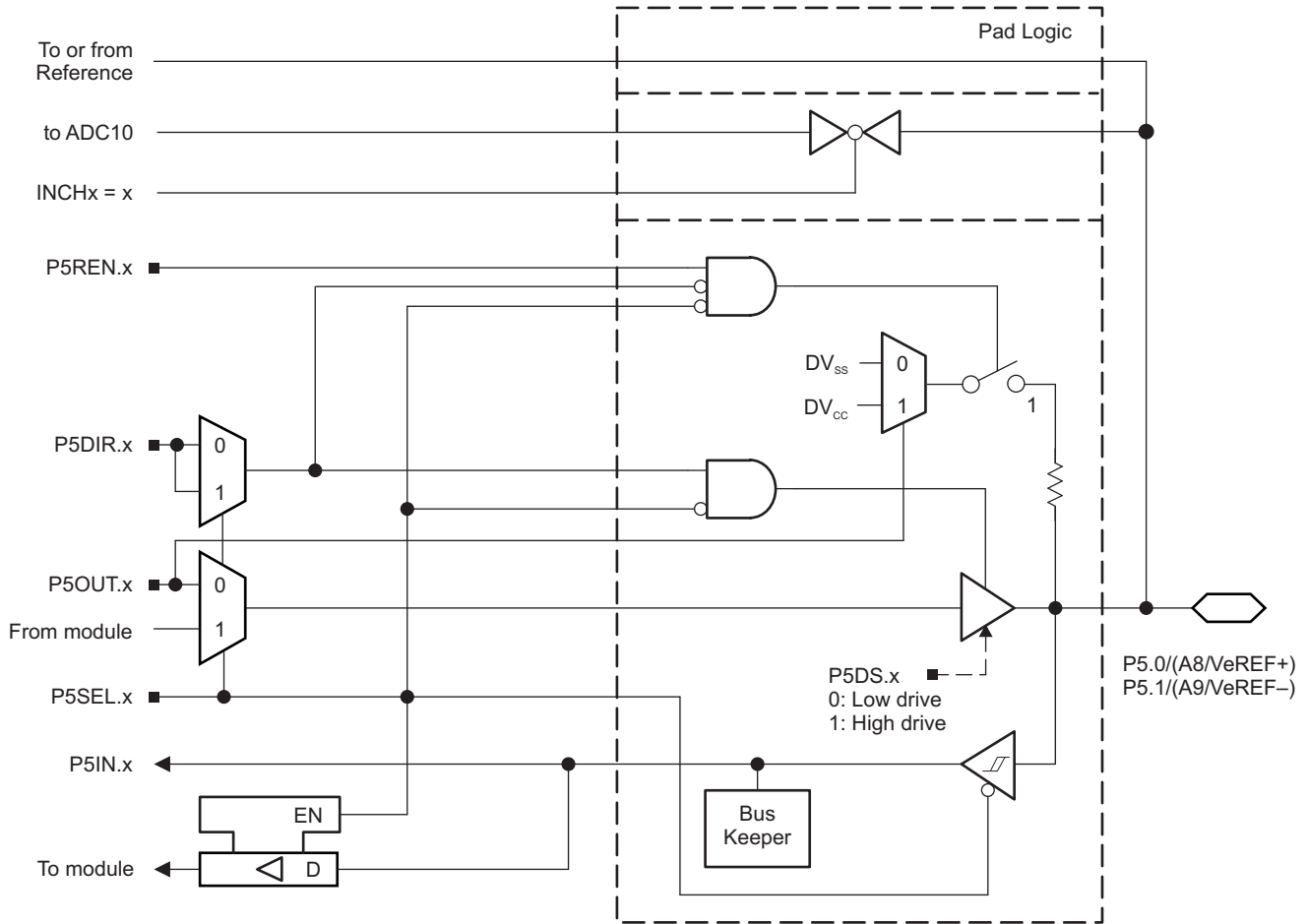


Figure 6-6. Port P5 (P5.0 and P5.1) Diagram

Table 6-49. Port P5 (P5.0 and P5.1) Pin Functions

| PIN NAME (P5.x) | x | FUNCTION | CONTROL BITS OR SIGNALS ⁽¹⁾ | |
|-------------------------------|---|---------------------------|--|---------|
| | | | P5DIR.x | P5SEL.x |
| P5.0/A8/VeREF+ ⁽²⁾ | 0 | P5.0 (I/O) ⁽³⁾ | I: 0; O: 1 | 0 |
| | | A8/VeREF+ ⁽⁴⁾ | X | 1 |
| P5.1/A9/VeREF- ⁽⁵⁾ | 1 | P5.1 (I/O) ⁽³⁾ | I: 0; O: 1 | 0 |
| | | A9/VeREF- ⁽⁶⁾ | X | 1 |

- (1) X = Don't care
- (2) VeREF+ available on devices with ADC10_A.
- (3) Default condition
- (4) Setting the P5SEL.0 bit disables the output driver and the input Schmitt trigger to prevent parasitic cross currents when applying analog signals. An external voltage can be applied to VeREF+ and used as the reference for the ADC10_A when available.
- (5) VeREF- available on devices with ADC10_A.
- (6) Setting the P5SEL.1 bit disables the output driver and the input Schmitt trigger to prevent parasitic cross currents when applying analog signals. An external voltage can be applied to VeREF- and used as the reference for the ADC10_A when available.

6.11.8 Port P5 (P5.4 and P5.5) Input/Output With Schmitt Trigger

Figure 6-9 and Figure 6-10 show the port diagrams. Table 6-51 summarizes the selection of the pin functions.

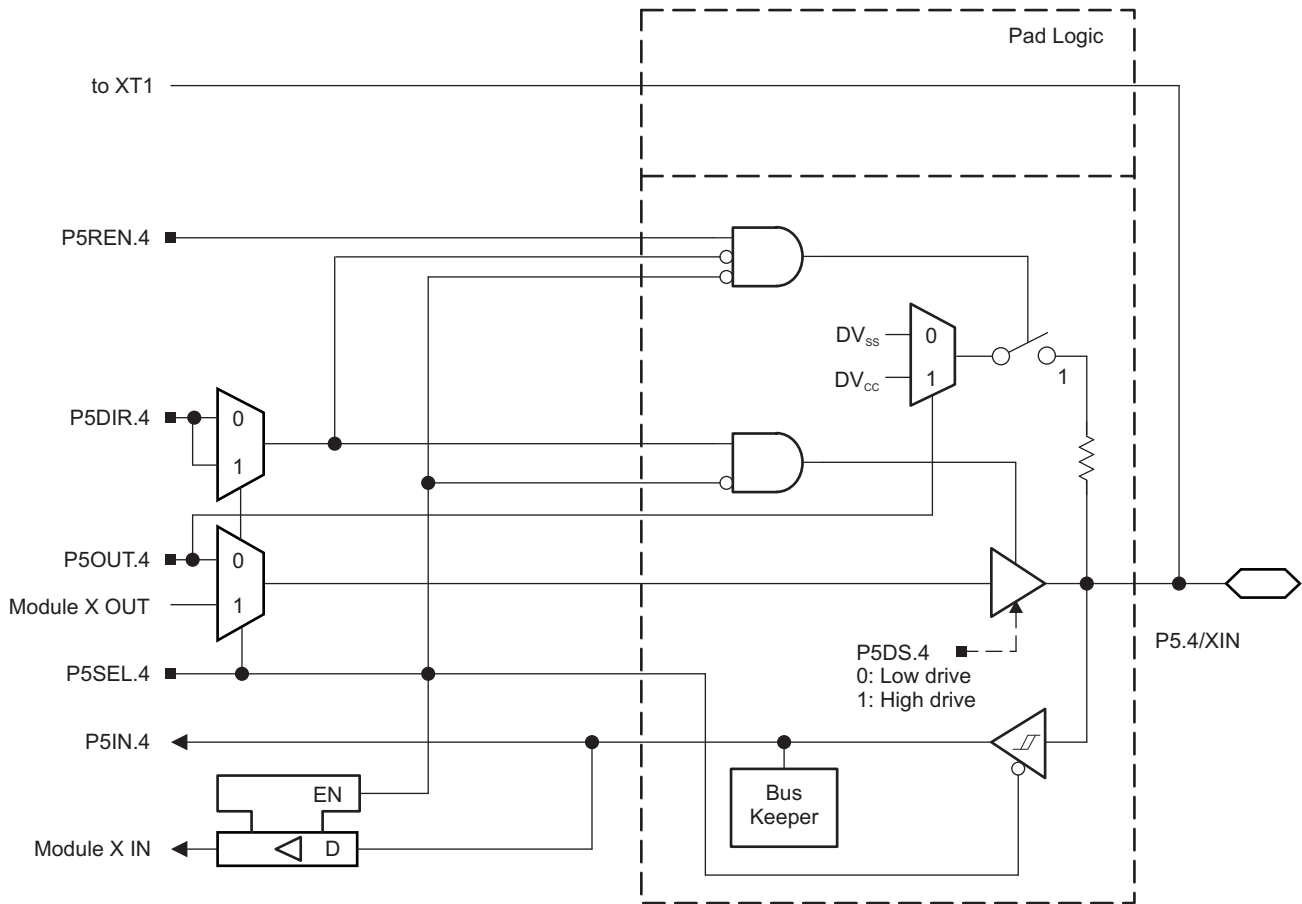


Figure 6-9. Port P5 (P5.4) Diagram

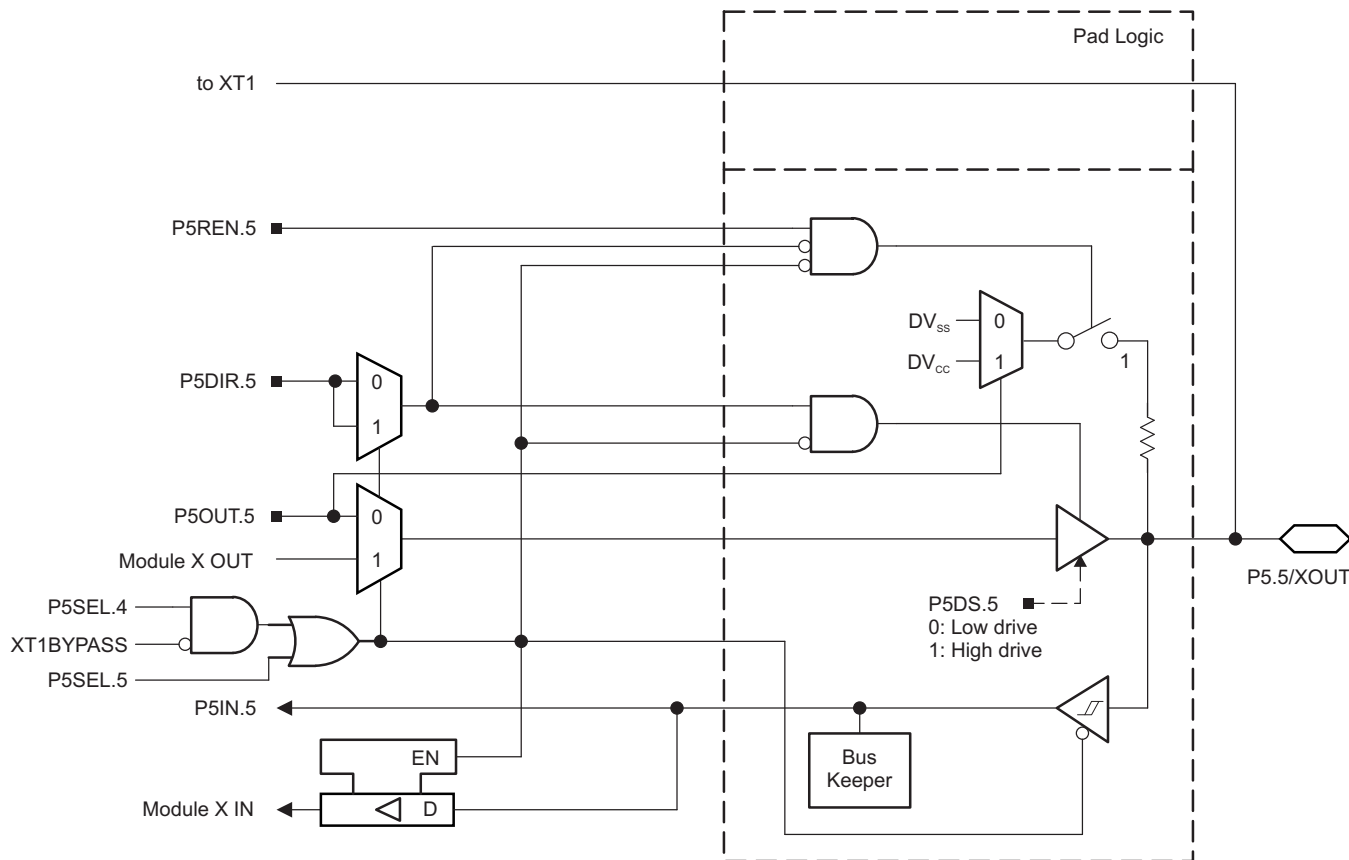


Figure 6-10. Port P5 (P5.5) Diagram

Table 6-51. Port P5 (P5.4 and P5.5) Pin Functions

| PIN NAME (P7.x) | x | FUNCTION | CONTROL BITS OR SIGNALS ⁽¹⁾ | | | |
|-----------------|---|----------------------------------|--|---------|---------|-----------|
| | | | P5DIR.x | P5SEL.4 | P5SEL.5 | XT1BYPASS |
| P5.4/XIN | 4 | P5.4 (I/O) | I: 0; O: 1 | 0 | X | X |
| | | XIN crystal mode ⁽²⁾ | X | 1 | X | 0 |
| | | XIN bypass mode ⁽²⁾ | X | 1 | X | 1 |
| P5.5/XOUT | 5 | P5.5 (I/O) | I: 0; O: 1 | 0 | 0 | X |
| | | XOUT crystal mode ⁽³⁾ | X | 1 | X | 0 |
| | | P5.5 (I/O) ⁽³⁾ | X | 1 | 0 | 1 |

- (1) X = Don't care
- (2) Setting P5SEL.4 causes the general-purpose I/O to be disabled. Pending the setting of XT1BYPASS, P5.4 is configured for crystal mode or bypass mode.
- (3) Setting P5SEL.4 causes the general-purpose I/O to be disabled in crystal mode. When using bypass mode, P5.5 can be used as general-purpose I/O.

6.11.9 Port P6 (P6.0 to P6.7) Input/Output With Schmitt Trigger

Figure 6-11 shows the port diagram. Table 6-52 summarizes the selection of the pin functions.

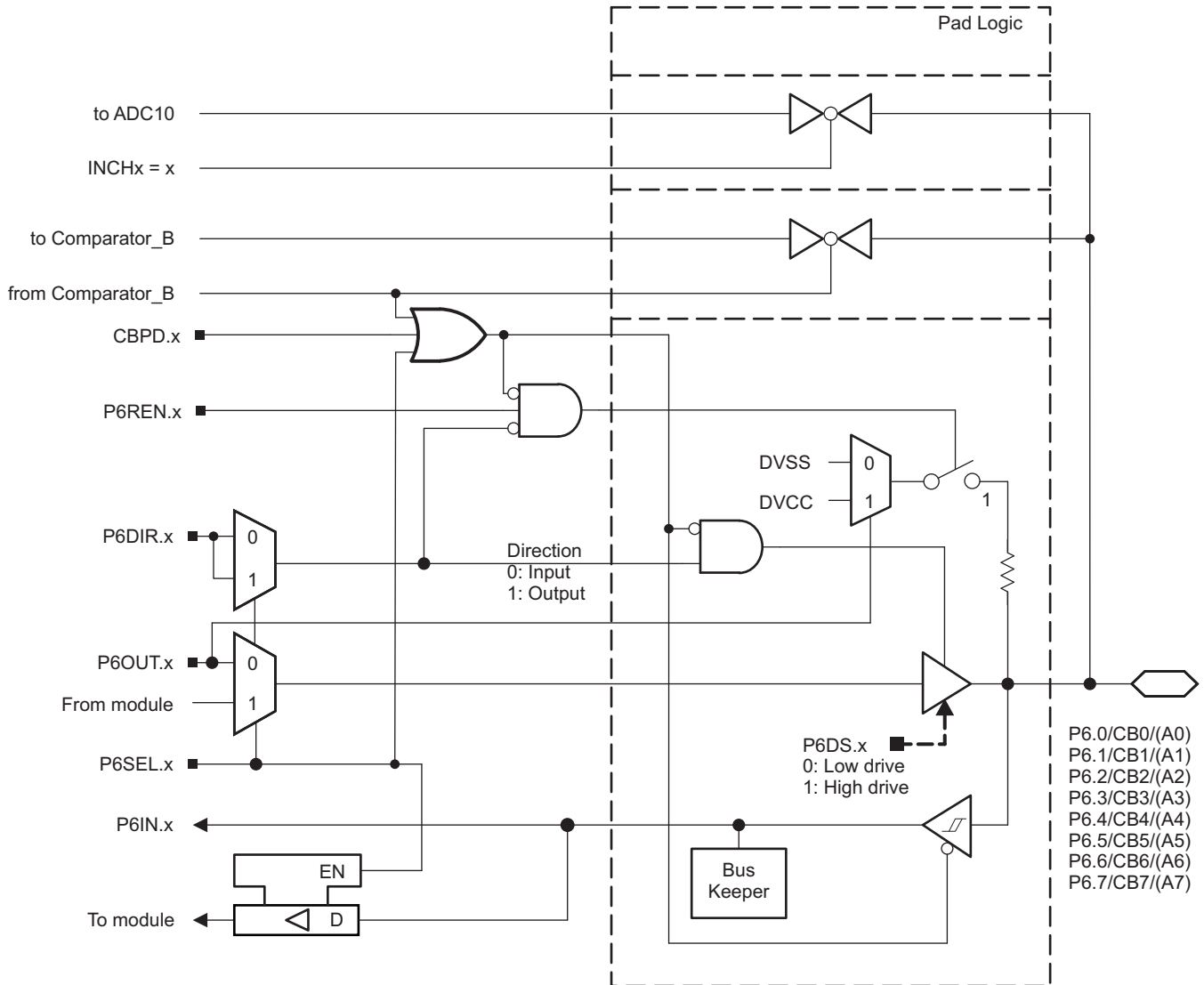


Figure 6-11. Port P6 (P6.0 to P6.7) Diagram

Table 6-52. Port P6 (P6.0 to P6.7) Pin Functions

| PIN NAME (P6.x) | x | FUNCTION | CONTROL BITS OR SIGNALS | | |
|-----------------|---|-------------------------------|-------------------------|---------|-------|
| | | | P6DIR.x | P6SEL.x | CBPDx |
| P6.0/CB0/(A0) | 0 | P6.0 (I/O) | I: 0; O: 1 | 0 | 0 |
| | | A0 (only on devices with ADC) | X | 1 | X |
| | | CB0 ⁽¹⁾ | X | X | 1 |
| P6.1/CB1/(A1) | 1 | P6.1 (I/O) | I: 0; O: 1 | 0 | 0 |
| | | A1 (only on devices with ADC) | X | 1 | X |
| | | CB1 ⁽¹⁾ | X | X | 1 |
| P6.2/CB2/(A2) | 2 | P6.2 (I/O) | I: 0; O: 1 | 0 | 0 |
| | | A2 (only on devices with ADC) | X | 1 | X |
| | | CB2 ⁽¹⁾ | X | X | 1 |
| P6.3/CB3/(A3) | 3 | P6.3 (I/O) | I: 0; O: 1 | 0 | 0 |
| | | A3 (only on devices with ADC) | X | 1 | X |
| | | CB3 ⁽¹⁾ | X | X | 1 |
| P6.4/CB4/(A4) | 4 | P6.4 (I/O) | I: 0; O: 1 | 0 | 0 |
| | | A4 (only on devices with ADC) | X | 1 | X |
| | | CB4 ⁽¹⁾ | X | X | 1 |
| P6.5/CB5/(A5) | 5 | P6.5 (I/O) | I: 0; O: 1 | 0 | 0 |
| | | A5 (only on devices with ADC) | X | 1 | X |
| | | CB5 ⁽¹⁾ | X | X | 1 |
| P6.6/CB6/(A6) | 6 | P6.6 (I/O) | I: 0; O: 1 | 0 | 0 |
| | | A6 (only on devices with ADC) | X | 1 | X |
| | | CB6 ⁽¹⁾ | X | X | 1 |
| P6.7/CB7/(A7) | 7 | P6.7 (I/O) | I: 0; O: 1 | 0 | 0 |
| | | A7 (only on devices with ADC) | X | 1 | X |
| | | CB7 ⁽¹⁾ | X | X | 1 |

- (1) Setting the CBPDx bit disables the output driver and the input Schmitt trigger to prevent parasitic cross currents when applying analog signals. Selecting the CBx input pin to the comparator multiplexer with the CBx bits automatically disables output driver and input buffer for that pin, regardless of the state of the associated CBPDx bit.

6.11.10 Port U (PU.0/DP, PU.1/DM, PUR) USB Ports

Figure 6-12 shows the port diagram. Table 6-53 through Table 6-55 summarize the selection of the pin functions.

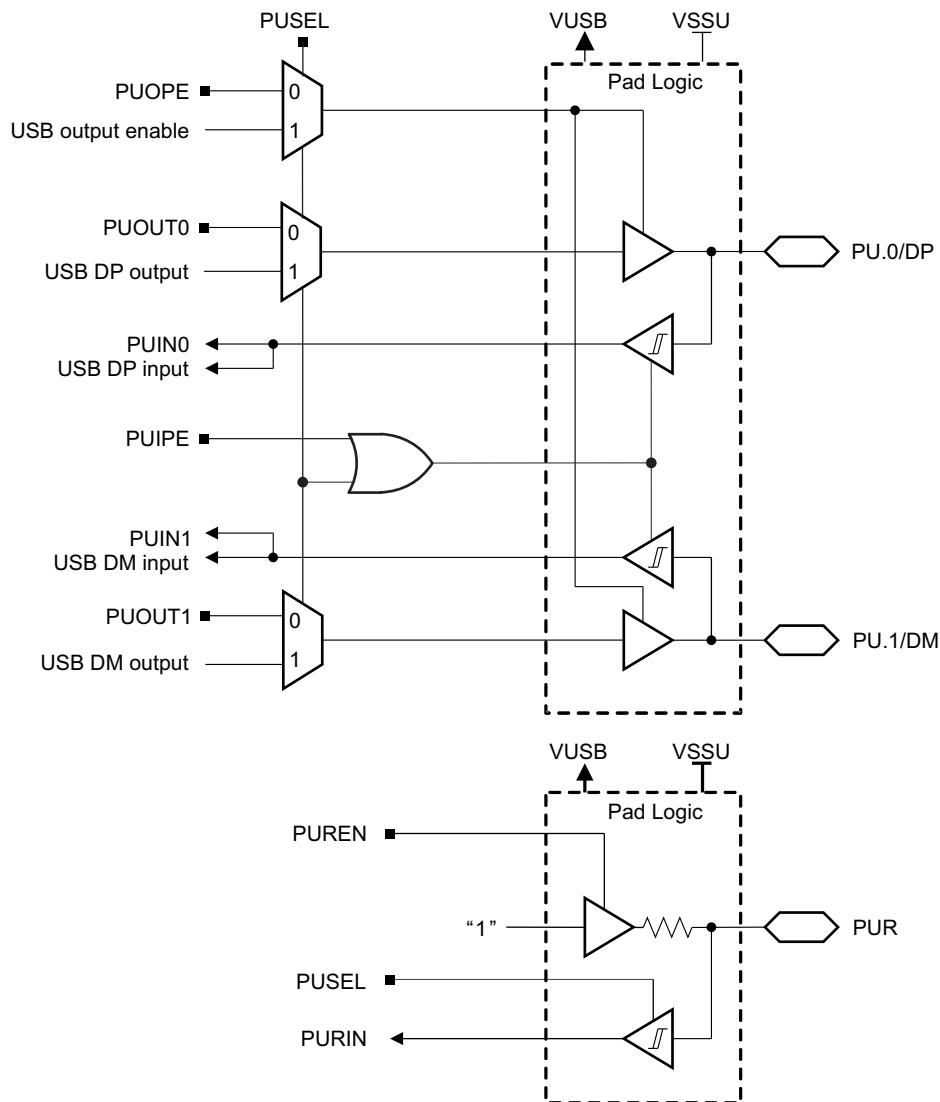


Figure 6-12. Port U (PU.0/DP, PU.1/DM, PUR) Diagram

Table 6-53. Port U (PU.0/DP and PU.1/DM) Output Functions⁽¹⁾

| CONTROL BITS | | | | PIN NAME | |
|--------------|-------|--------|--------|-------------------|-------------------|
| PUSEL | PUOPE | PUOUT1 | PUOUT0 | PU.1/DM | PU.0/DP |
| 0 | 0 | X | X | Output disabled | Output disabled |
| 0 | 1 | 0 | 0 | Output low | Output low |
| 0 | 1 | 0 | 1 | Output low | Output high |
| 0 | 1 | 1 | 0 | Output high | Output low |
| 0 | 1 | 1 | 1 | Output high | Output high |
| 1 | X | X | X | DM ⁽²⁾ | DP ⁽²⁾ |

- (1) PU.1/DM and PU.0/DP inputs and outputs are supplied from VUSB. VUSB can be generated by the device using the integrated 3.3-V LDO when enabled. VUSB can also be supplied externally when the 3.3-V LDO is not being used and is disabled.
- (2) Output state set by the USB module.

Table 6-54. Port U (PU.0/DP and PU.1/DM) Input Functions⁽¹⁾

| CONTROL BITS | | PIN NAME | |
|--------------|-------|----------------|----------------|
| PUSEL | PUIPE | PU.1/DM | PU.0/DP |
| 0 | 0 | Input disabled | Input disabled |
| 0 | 1 | Input enabled | Input enabled |
| 1 | X | DM input | DP input |

- (1) PU.1/DM and PU.0/DP inputs and outputs are supplied from VUSB. VUSB can be generated by the device using the integrated 3.3-V LDO when enabled. VUSB can also be supplied externally when the 3.3-V LDO is not being used and is disabled.

Table 6-55. Port U (PUR) Input Functions

| CONTROL BITS | | FUNCTION |
|--------------|-------|-----------------------------------|
| PUSEL | PUREN | |
| 0 | 0 | Input disabled Pullup disabled |
| 0 | 1 | Input disabled Pullup enabled |
| 1 | 0 | Input enabled Pullup disabled |
| 1 | 1 | Input enabled Pullup enabled |

6.11.11 Port J (PJ.0) JTAG Pin TDO, Input/Output With Schmitt Trigger or Output

Figure 6-13 shows the port diagram. Table 6-56 summarizes the selection of the pin functions.

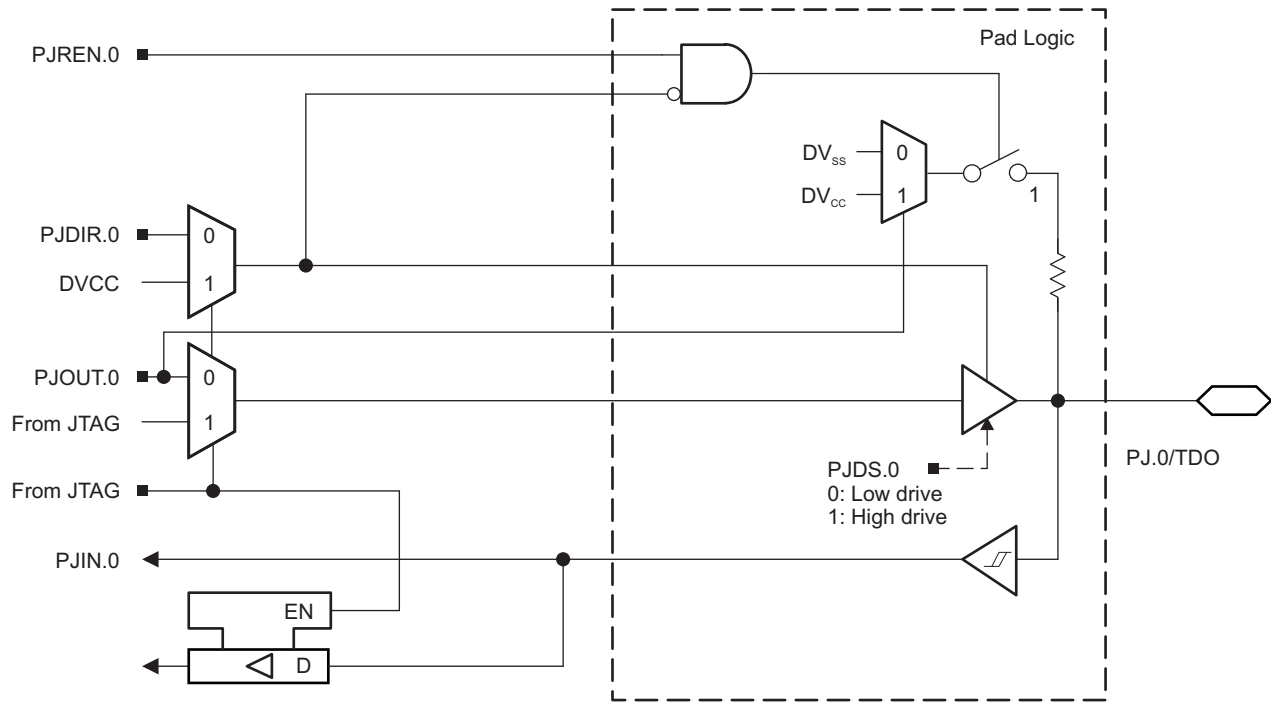


Figure 6-13. Port PJ (PJ.0) Diagram

6.11.12 Port J (PJ.1 to PJ.3) JTAG Pins TMS, TCK, TDI/TCLK, Input/Output With Schmitt Trigger or Output

Figure 6-14 shows the port diagram. Table 6-56 summarizes the selection of the pin functions.

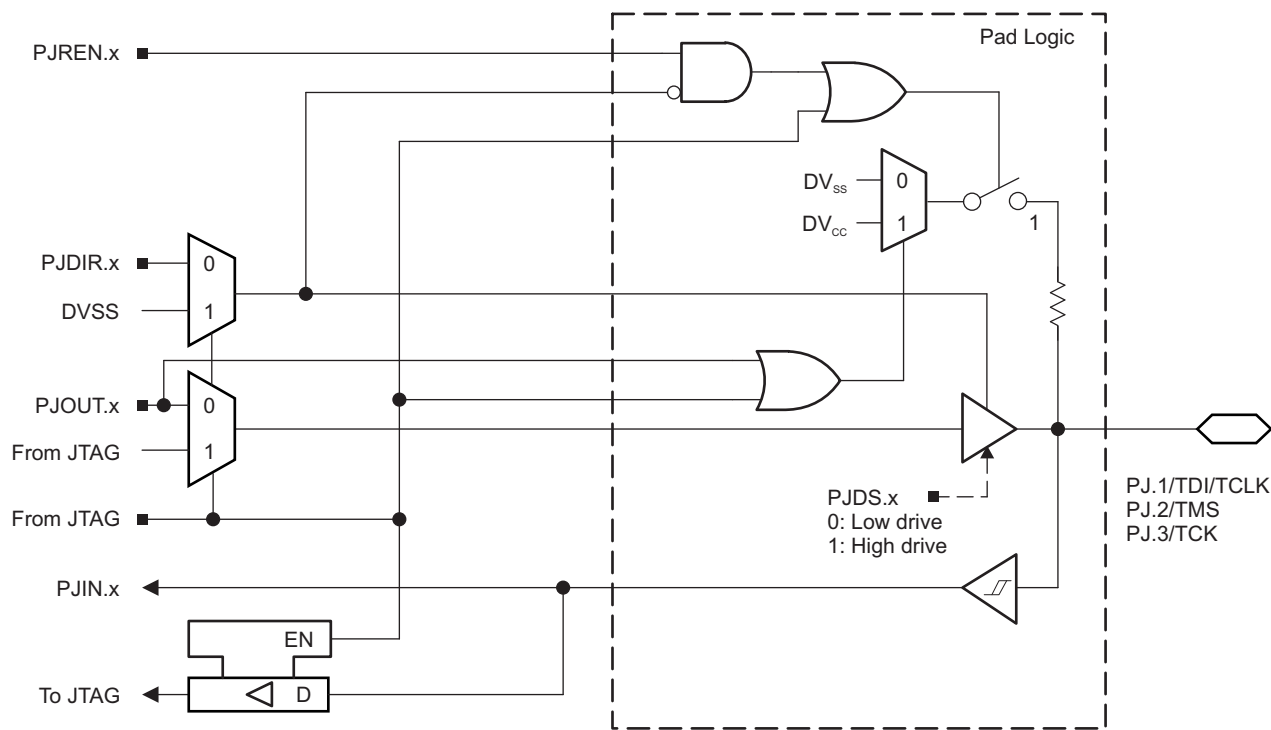


Figure 6-14. Port PJ (PJ.1 to PJ.3) Diagram

Table 6-56. Port PJ (PJ.0 to PJ.3) Pin Functions

| PIN NAME (PJ.x) | x | FUNCTION | CONTROL BITS OR SIGNALS ⁽¹⁾ |
|-----------------|---|-----------------------------|--|
| | | | PJDIR.x |
| PJ.0/TDO | 0 | PJ.0 (I/O) ⁽²⁾ | I: 0; O: 1 |
| | | TDO ⁽³⁾ | X |
| PJ.1/TDI/TCLK | 1 | PJ.1 (I/O) ⁽²⁾ | I: 0; O: 1 |
| | | TDI/TCLK ^{(3) (4)} | X |
| PJ.2/TMS | 2 | PJ.2 (I/O) ⁽²⁾ | I: 0; O: 1 |
| | | TMS ^{(3) (4)} | X |
| PJ.3/TCK | 3 | PJ.3 (I/O) ⁽²⁾ | I: 0; O: 1 |
| | | TCK ^{(3) (4)} | X |

- (1) X = Don't care
- (2) Default condition
- (3) The pin direction is controlled by the JTAG module.
- (4) In JTAG mode, pullups are activated automatically on TMS, TCK, and TDI/TCLK. PJREN.x are do not care.

6.12 Device Descriptors

Table 6-57 and Table 6-58 list the complete contents of the device descriptor tag-length-value (TLV) structure for each device type.

Table 6-57. F5504 to F5510 Device Descriptor Table ⁽¹⁾

| DESCRIPTION | ADDRESS | SIZE (bytes) | VALUE | | | | | | | | | | |
|-------------------|---------------------------------------|-----------------|---------------------|------------|---------------------|------------|---------------------|------------|----------|----------|----------|----------|----------|
| | | | F5510 | | F5509 | | F5508 | | F5507 | F5506 | F5505 | F5504 | |
| | | | RGC, ZXH, ZQE | RGZ, PT | RGC, ZXH, ZQE | RGZ, PT | RGC, ZXH, ZQE | RGZ, PT | | | | | |
| Info Block | Info length | 01A00h | 1 | 06h | 06h | 06h | 06h | 06h | 06h | 06h | 06h | 06h | 06h |
| | CRC length | 01A01h | 1 | 06h | 06h | 06h | 06h | 06h | 06h | 06h | 06h | 06h | 06h |
| | CRC value | 01A02h | 2 | Per unit | Per unit | Per unit | Per unit | Per unit | Per unit | Per unit | Per unit | Per unit | Per unit |
| | Device ID | 01A04h | 1 | 31h | 31h | 3Ah | 3Ah | 39h | 39h | 38h | 37h | 36h | 35h |
| | Device ID | 01A05h | 1 | 80h | 80h | 80h | 80h | 80h | 80h | 80h | 80h | 80h | 80h |
| | Hardware revision | 01A06h | 1 | Per unit | Per unit | Per unit | Per unit | Per unit | Per unit | Per unit | Per unit | Per unit | Per unit |
| | Firmware revision | 01A07h | 1 | Per unit | Per unit | Per unit | Per unit | Per unit | Per unit | Per unit | Per unit | Per unit | Per unit |
| Die Record | Die record tag | 01A08h | 1 | 08h | 08h | 08h | 08h | 08h | 08h | 08h | 08h | 08h | 08h |
| | Die record length | 01A09h | 1 | 0Ah | 0Ah | 0Ah | 0Ah | 0Ah | 0Ah | 0Ah | 0Ah | 0Ah | 0Ah |
| | Lot/wafer ID | 01A0Ah | 4 | Per unit | Per unit | Per unit | Per unit | Per unit | Per unit | Per unit | Per unit | Per unit | Per unit |
| | Die X position | 01A0Eh | 2 | Per unit | Per unit | Per unit | Per unit | Per unit | Per unit | Per unit | Per unit | Per unit | Per unit |
| | Die Y position | 01A10h | 2 | Per unit | Per unit | Per unit | Per unit | Per unit | Per unit | Per unit | Per unit | Per unit | Per unit |
| | Test results | 01A12h | 2 | Per unit | Per unit | Per unit | Per unit | Per unit | Per unit | Per unit | Per unit | Per unit | Per unit |
| ADC10 Calibration | ADC10 calibration tag | 01A14h | 1 | 13h | 13h | 13h | 13h | 13h | 13h | 13h | 13h | 13h | 13h |
| | ADC10 calibration length | 01A15h | 1 | 10h | 10h | 10h | 10h | 10h | 10h | 10h | 10h | 10h | 10h |
| | ADC gain factor | 01A16h | 2 | Per unit | Per unit | Per unit | Per unit | Per unit | Per unit | Per unit | Per unit | Per unit | Per unit |
| | ADC offset | 01A18h | 2 | Per unit | Per unit | Per unit | Per unit | Per unit | Per unit | Per unit | Per unit | Per unit | Per unit |
| | ADC 1.5-V reference Temp. sensor 30°C | 01A1Ah | 2 | Per unit | Per unit | Per unit | Per unit | Per unit | Per unit | Per unit | Per unit | Per unit | Per unit |
| | ADC 1.5-V reference Temp. sensor 85°C | 01A1Ch | 2 | Per unit | Per unit | Per unit | Per unit | Per unit | Per unit | Per unit | Per unit | Per unit | Per unit |
| | ADC 2.0-V reference Temp. sensor 30°C | 01A1Eh | 2 | Per unit | Per unit | Per unit | Per unit | Per unit | Per unit | Per unit | Per unit | Per unit | Per unit |
| | ADC 2.0-V reference Temp. sensor 85°C | 01A20h | 2 | Per unit | Per unit | Per unit | Per unit | Per unit | Per unit | Per unit | Per unit | Per unit | Per unit |
| | ADC 2.5-V reference Temp. sensor 30°C | 01A22h | 2 | Per unit | Per unit | Per unit | Per unit | Per unit | Per unit | Per unit | Per unit | Per unit | Per unit |
| | ADC 2.5-V reference Temp. sensor 85°C | 01A24h | 2 | Per unit | Per unit | Per unit | Per unit | Per unit | Per unit | Per unit | Per unit | Per unit | Per unit |
| REF Calibration | REF calibration tag | 01A26h | 1 | 12h | 12h | 12h | 12h | 12h | 12h | 12h | 12h | 12h | 12h |
| | REF calibration length | 01A27h | 1 | 06h | 06h | 06h | 06h | 06h | 06h | 06h | 06h | 06h | 06h |
| | REF 1.5-V reference factor | 01A28h | 2 | Per unit | Per unit | Per unit | Per unit | Per unit | Per unit | Per unit | Per unit | Per unit | Per unit |
| | REF 2.0-V reference factor | 01A2Ah | 2 | Per unit | Per unit | Per unit | Per unit | Per unit | Per unit | Per unit | Per unit | Per unit | Per unit |
| | REF 2.5-V reference factor | 01A2Ch | 2 | Per unit | Per unit | Per unit | Per unit | Per unit | Per unit | Per unit | Per unit | Per unit | Per unit |

(1) N/A = Not applicable

Table 6-57. F5504 to F5510 Device Descriptor Table ⁽¹⁾ (continued)

| DESCRIPTION | ADDRESS | SIZE (bytes) | VALUE | | | | | | | | | |
|------------------------------|---------|-----------------|---------------------|------------|---------------------|-------------|---------------------|------------|------------|------------|------------|------------|
| | | | F5510 | | F5509 | | F5508 | | F5507 | F5506 | F5505 | F5504 |
| | | | RGC, ZXH, ZQE | RGZ, PT | RGC, ZXH, ZQE | RGZ, PT | RGC, ZXH, ZQE | RGZ, PT | | | | |
| Peripheral descriptor tag | 01A2Eh | 1 | 02h | 02h | 02h | 02h | 02h | 02h | 02h | 02h | 02h | 02h |
| Peripheral descriptor length | 01A2Fh | 1 | 61h | 61h | 62h | 62h | 61h | 61h | 5Dh | 5Eh | 5Dh | 5Dh |
| Memory 1 | | 2 | 08h 8Ah | 08h 8Ah | 08h 8Ah | 08h 8Ah | 08h 8Ah | 08h 8Ah | 08h 8Ah | 08h 8Ah | 08h 8Ah | 08h 8Ah |
| Memory 2 | | 2 | 0Ch 86h | 0Ch 86h | 0Ch 86h | 0Ch 86h | 0Ch 86h | 0Ch 86h | 0Ch 86h | 0Ch 86h | 0Ch 86h | 0Ch 86h |
| Memory 3 | | 2 | 0Eh 2Ah | 0Eh 2Ah | 0Eh 2Ah | 00Eh 2Ah | 0Eh 2Ah | 0Eh 2Ah | 0Eh 2Ah | 0Eh 2Ah | 0Eh 2Ah | 0Eh 2Ah |
| Memory 4 | | 2 | 12h 2Ch | 12h 2Ch | 12h 2Ch | 12h 2Ch | 12h 2Ch | 12h 2Ch | 12h 2Ch | 12h 2Ch | 12h 2Ch | 12h 2Ch |
| Memory 5 | | 2 | 40h 92h | 40h 92h | 50h 91h | 50h 91h | 60h 90h | 60h 90h | 40h 92h | 50h 91h | 60h 90h | 70h 8Eh |
| Memory 6 | | | N/A | N/A | 8Eh | 8Eh | N/A | N/A | N/A | 8Eh | N/A | N/A |
| Delimiter | | 1 | 00h | 00h | 00h | 00h | 00h | 00h | 00h | 00h | 00h | 00h |
| Peripheral count | | 1 | 20h | 20h | 20h | 20h | 20h | 20h | 1Eh | 1Eh | 1Eh | 1Eh |
| MSP430CPUXV2 | | 2 | 00h 23h | 00h 23h | 00h 23h | 00h 23h | 00h 23h | 00h 23h | 00h 23h | 00h 23h | 00h 23h | 00h 23h |
| JTAG | | 2 | 00h 09h | 00h 09h | 00h 09h | 00h 09h | 00h 09h | 00h 09h | 00h 09h | 00h 09h | 00h 09h | 00h 09h |
| SBW | | 2 | 00h 0Fh | 00h 0Fh | 00h 0Fh | 00h 0Fh | 00h 0Fh | 00h 0Fh | 00h 0Fh | 00h 0Fh | 00h 0Fh | 00h 0Fh |
| EEM-S | | 2 | 00h 03h | 00h 03h | 00h 03h | 00h 03h | 00h 03h | 00h 03h | 00h 03h | 00h 03h | 00h 03h | 00h 03h |
| TI BSL | | 2 | 00h FCh | 00h FCh | 00h FCh | 00h FCh | 00h FCh | 00h FCh | 00h FCh | 00h FCh | 00h FCh | 00h FCh |
| SFR | | 2 | 10h 41h | 10h 41h | 10h 41h | 10h 41h | 10h 41h | 10h 41h | 10h 41h | 10h 41h | 10h 41h | 10h 41h |
| PMM | | 2 | 02h 30h | 02h 30h | 02h 30h | 02h 30h | 02h 30h | 02h 30h | 02h 30h | 02h 30h | 02h 30h | 02h 30h |
| FCTL | | 2 | 02h 38h | 02h 38h | 02h 38h | 02h 38h | 02h 38h | 02h 38h | 02h 38h | 02h 38h | 02h 38h | 02h 38h |
| CRC16 | | 2 | 01h 3Ch | 01h 3Ch | 01h 3Ch | 01h 3Ch | 01h 3Ch | 01h 3Ch | 01h 3Ch | 01h 3Ch | 01h 3Ch | 01h 3Ch |
| CRC16_RB | | 2 | 00h 3Dh | 00h 3Dh | 00h 3Dh | 00h 3Dh | 00h 3Dh | 00h 3Dh | 00h 3Dh | 00h 3Dh | 00h 3Dh | 00h 3Dh |
| RAMCTL | | 2 | 00h 44h | 00h 44h | 00h 44h | 00h 44h | 00h 44h | 00h 44h | 00h 44h | 00h 44h | 00h 44h | 00h 44h |
| WDT_A | | 2 | 00h 40h | 00h 40h | 00h 40h | 00h 40h | 00h 40h | 00h 40h | 00h 40h | 00h 40h | 00h 40h | 00h 40h |
| UCS | | 2 | 01h 48h | 01h 48h | 01h 48h | 01h 48h | 01h 48h | 01h 48h | 01h 48h | 01h 48h | 01h 48h | 01h 48h |
| SYS | | 2 | 02h 42h | 02h 42h | 02h 42h | 02h 42h | 02h 42h | 02h 42h | 02h 42h | 02h 42h | 02h 42h | 02h 42h |
| REF | | 2 | 03h A0h | 03h A0h | 03h A0h | 03h A0h | 03h A0h | 03h A0h | 03h A0h | 03h A0h | 03h A0h | 03h A0h |
| Port Mapping | | 2 | 01h 10h | 01h 10h | 01h 10h | 01h 10h | 01h 10h | 01h 10h | 01h 10h | 01h 10h | 01h 10h | 01h 10h |
| Port 1 and 2 | | 2 | 04h 51h | 04h 51h | 04h 51h | 04h 51h | 04h 51h | 04h 51h | 04h 51h | 04h 51h | 04h 51h | 04h 51h |
| Port 3 and 4 | | 2 | 02h 52h | 02h 52h | 02h 52h | 02h 52h | 02h 52h | 02h 52h | 02h 52h | 02h 52h | 02h 52h | 02h 52h |
| Port 5 and 6 | | 2 | 02h 53h | 02h 53h | 02h 53h | 02h 53h | 02h 53h | 02h 53h | 02h 53h | 02h 53h | 02h 53h | 02h 53h |

Table 6-57. F5504 to F5510 Device Descriptor Table ⁽¹⁾ (continued)

| DESCRIPTION | ADDRESS | SIZE (bytes) | VALUE | | | | | | | | | | |
|---|-------------------|-----------------|---------------------|------------|---------------------|------------|---------------------|------------|------------|------------|------------|------------|------------|
| | | | F5510 | | F5509 | | F5508 | | | F5507 | F5506 | F5505 | F5504 |
| | | | RGC, ZXH, ZQE | RGZ, PT | RGC, ZXH, ZQE | RGZ, PT | RGC, ZXH, ZQE | RGZ, PT | | | | | |
| Peripheral Descriptor (continued) | JTAG | 2 | 0Eh 5Fh | 0Eh 5Fh | 0Eh 5Fh | 0Eh 5Fh | 0Eh 5Fh | 0Eh 5Fh | 0Eh 5Fh | 0Eh 5Fh | 0Eh 5Fh | 0Eh 5Fh | 0Eh 5Fh |
| | TA0 | 2 | 02h 62h | 02h 62h | 02h 62h | 02h 62h | 02h 62h | 02h 62h | 02h 62h | 02h 62h | 02h 62h | 02h 62h | 02h 62h |
| | TA1 | 2 | 04h 61h | 04h 61h | 04h 61h | 04h 61h | 04h 61h | 04h 61h | 04h 61h | 04h 61h | 04h 61h | 04h 61h | 04h 61h |
| | TB0 | 2 | 04h 67h | 04h 67h | 04h 67h | 04h 67h | 04h 67h | 04h 67h | 04h 67h | 04h 67h | 04h 67h | 04h 67h | 04h 67h |
| | TA2 | 2 | 04h 61h | 04h 61h | 04h 61h | 04h 61h | 04h 61h | 04h 61h | 04h 61h | 04h 61h | 04h 61h | 04h 61h | 04h 61h |
| | RTC | 2 | 0Ah 68h | 0Ah 68h | 0Ah 68h | 0Ah 68h | 0Ah 68h | 0Ah 68h | 0Ah 68h | 0Ah 68h | 0Ah 68h | 0Ah 68h | 0Ah 68h |
| | MPY32 | 2 | 02h 85h | 02h 85h | 02h 85h | 02h 85h | 02h 85h | 02h 85h | 02h 85h | 02h 85h | 02h 85h | 02h 85h | 02h 85h |
| | DMA-3 | 2 | 04h 47h | 04h 47h | 04h 47h | 04h 47h | 04h 47h | 04h 47h | 04h 47h | 04h 47h | 04h 47h | 04h 47h | 04h 47h |
| | USCI_A and USCI_B | 2 | 0Ch 90h | 0Ch 90h | 0Ch 90h | 0Ch 90h | 0Ch 90h | 0Ch 90h | 0Ch 90h | 10h 90h | 10h 90h | 10h 90h | 10h 90h |
| | USCI_A and USCI_B | 2 | 04h 90h | 04h 90h | 04h 90h | 04h 90h | 04h 90h | 04h 90h | 04h 90h | N/A | N/A | N/A | N/A |
| | ADC10_A | 2 | 14h D3h | 14h D3h | 14h D3h | 14h D3h | 14h D3h | 14h D3h | 14h D3h | 14h D3h | 14h D3h | 14h D3h | 14h D3h |
| | COMP_B | 2 | 18h A8h | 18h A8h | 18h A8h | 18h A8h | 18h A8h | 18h A8h | 18h A8h | N/A | N/A | N/A | N/A |
| | USB | 2 | 04h 98h | 04h 98h | 04h 98h | 04h 98h | 04h 98h | 04h 98h | 04h 98h | 1Ch 98h | 1Ch 98h | 1Ch 98h | 1Ch 98h |
| | Interrupts | COMP_B | 1 | A8h | A8h | A8h | A8h | A8h | A8h | A8h | 01h | 01h | 01h |
| TB0.CCIFG0 | | 1 | 64h | 64h | 64h | 64h | 64h | 64h | 64h | 64h | 64h | 64h | 64h |
| TB0.CCIFG1..6 | | 1 | 65h | 65h | 65h | 65h | 65h | 65h | 65h | 65h | 65h | 65h | 65h |
| WDTIFG | | 1 | 40h | 40h | 40h | 40h | 40h | 40h | 40h | 40h | 40h | 40h | 40h |
| USCI_A0 | | 1 | 90h | 90h | 90h | 90h | 90h | 90h | 90h | 01h | 01h | 01h | 01h |
| USCI_B0 | | 1 | 91h | 91h | 91h | 91h | 91h | 91h | 91h | 01h | 01h | 01h | 01h |
| ADC10_A | | 1 | D0h | D0h | D0h | D0h | D0h | D0h | D0h | D0h | D0h | D0h | D0h |
| TA0.CCIFG0 | | 1 | 60h | 60h | 60h | 60h | 60h | 60h | 60h | 60h | 60h | 60h | 60h |
| TA0.CCIFG1..4 | | 1 | 61h | 61h | 61h | 61h | 61h | 61h | 61h | 61h | 61h | 61h | 61h |
| USB | | 1 | 98h | 98h | 98h | 98h | 98h | 98h | 98h | 98h | 98h | 98h | 98h |
| DMA | | 1 | 46h | 46h | 46h | 46h | 46h | 46h | 46h | 46h | 46h | 46h | 46h |
| TA1.CCIFG0 | | 1 | 62h | 62h | 62h | 62h | 62h | 62h | 62h | 62h | 62h | 62h | 62h |
| TA1.CCIFG1..2 | | 1 | 63h | 63h | 63h | 63h | 63h | 63h | 63h | 63h | 63h | 63h | 63h |
| P1 | | 1 | 50h | 50h | 50h | 50h | 50h | 50h | 50h | 50h | 50h | 50h | 50h |
| USCI_A1 | | 1 | 92h | 92h | 92h | 92h | 92h | 92h | 92h | 92h | 92h | 92h | 92h |
| USCI_B1 | | 1 | 93h | 93h | 93h | 93h | 93h | 93h | 93h | 93h | 93h | 93h | 93h |
| TA1.CCIFG0 | | 1 | 66h | 66h | 66h | 66h | 66h | 66h | 66h | 66h | 66h | 66h | 66h |
| TA1.CCIFG1..2 | | 1 | 67h | 67h | 67h | 67h | 67h | 67h | 67h | 67h | 67h | 67h | 67h |
| P2 | | 1 | 51h | 51h | 51h | 51h | 51h | 51h | 51h | 51h | 51h | 51h | 51h |
| RTC_A | | 1 | 68h | 68h | 68h | 68h | 68h | 68h | 68h | 68h | 68h | 68h | 68h |
| Delimiter | 1 | 00h | 00h | 00h | 00h | 00h | 00h | 00h | 00h | 00h | 00h | 00h | |

Table 6-58. F5500 to F5503 Device Descriptor⁽¹⁾

| DESCRIPTION | ADDRESS | SIZE (bytes) | VALUE | | | | |
|-----------------------|------------------------------|-----------------|-------|------------|------------|------------|------------|
| | | | F5503 | F5502 | F5501 | F5500 | |
| Info Block | Info length | 01A00h | 1 | 06h | 06h | 06h | 06h |
| | CRC length | 01A01h | 1 | 06h | 06h | 06h | 06h |
| | CRC value | 01A02h | 2 | Per unit | Per unit | Per unit | Per unit |
| | Device ID | 01A04h | 1 | 34h | 33h | 32h | 3Bh |
| | Device ID | 01A05h | 1 | 80h | 80h | 80h | 80h |
| | Hardware revision | 01A06h | 1 | Per unit | Per unit | Per unit | Per unit |
| | Firmware revision | 01A07h | 1 | Per unit | Per unit | Per unit | Per unit |
| Die Record | Die record tag | 01A08h | 1 | 08h | 08h | 08h | 08h |
| | Die record length | 01A09h | 1 | 0Ah | 0Ah | 0Ah | 0Ah |
| | Lot/wafer ID | 01A0Ah | 4 | Per unit | Per unit | Per unit | Per unit |
| | Die X position | 01A0Eh | 2 | Per unit | Per unit | Per unit | Per unit |
| | Die Y position | 01A10h | 2 | Per unit | Per unit | Per unit | Per unit |
| | Test results | 01A12h | 2 | Per unit | Per unit | Per unit | Per unit |
| ADC10 Calibration | Empty tag | 01A14h | 1 | 05h | 05h | 05h | 05h |
| | Empty tag length | 01A15h | 1 | 10h | 10h | 10h | 10h |
| REF Calibration | REF calibration tag | 01A26h | 1 | 12h | 12h | 12h | 12h |
| | REF calibration length | 01A27h | 1 | 06h | 06h | 06h | 06h |
| | REF 1.5-V reference factor | 01A28h | 2 | Per unit | Per unit | Per unit | Per unit |
| | REF 2.0-V reference factor | 01A2Ah | 2 | Per unit | Per unit | Per unit | Per unit |
| | REF 2.5-V reference factor | 01A2Ch | 2 | Per unit | Per unit | Per unit | Per unit |
| Peripheral Descriptor | Peripheral descriptor tag | 01A2Eh | 1 | 02h | 02h | 02h | 02h |
| | Peripheral descriptor length | 01A2Fh | 1 | 5Dh | 5Eh | 5Dh | 5Dh |
| | Memory 1 | | 2 | 08h 8Ah | 08h 8Ah | 08h 8Ah | 08h 8Ah |
| | Memory 2 | | 2 | 0Ch 86h | 0Ch 86h | 0Ch 86h | 0Ch 86h |
| | Memory 3 | | 2 | 0Eh 2Ah | 0Eh 2Ah | 0Eh 2Ah | 0Eh 2Ah |
| | Memory 4 | | 2 | 12h 2Ch | 12h 2Ch | 12h 2Ch | 12h 2Ch |
| | Memory 5 | | 2 | 40h 92h | 50h 91 | 60h 90h | 70h 8Eh |
| | Memory 6 | | 1 | N/A | 8E | N/A | N/A |
| | Delimiter | | 1 | 00h | 00h | 00h | 00h |
| | Peripheral count | | 1 | 1Eh | 1Eh | 1Eh | 1Eh |
| | MSP430CPUXV2 | | 2 | 00h 23h | 00h 23h | 00h 23h | 00h 23h |
| | JTAG | | 2 | 00h 09h | 00h 09h | 00h 09h | 00h 09h |
| | SBW | | 2 | 00h 0Fh | 00h 0Fh | 00h 0Fh | 00h 0Fh |
| | EEM-S | | 2 | 00h 03h | 00h 03h | 00h 03h | 00h 03h |
| | TI BSL | | 2 | 00h FCh | 00h FCh | 00h FCh | 00h FCh |
| | SFR | | 2 | 10h 41h | 10h 41h | 10h 41h | 10h 41h |
| | PMM | | 2 | 02h 30h | 02h 30h | 02h 30h | 02h 30h |
| | FCTL | | 2 | 02h 38h | 02h 38h | 02h 38h | 02h 38h |

(1) N/A = Not applicable

Table 6-58. F5500 to F5503 Device Descriptor⁽¹⁾ (continued)

| DESCRIPTION | ADDRESS | SIZE (bytes) | VALUE | | | |
|-------------------|---------|-----------------|------------|------------|------------|------------|
| | | | F5503 | F5502 | F5501 | F5500 |
| CRC16 | | 2 | 01h 3Ch | 01h 3Ch | 01h 3Ch | 01h 3Ch |
| CRC16_RB | | 2 | 00h 3Dh | 00h 3Dh | 00h 3Dh | 00h 3Dh |
| RAMCTL | | 2 | 00h 44h | 00h 44h | 00h 44h | 00h 44h |
| WDT_A | | 2 | 00h 40h | 00h 40h | 00h 40h | 00h 40h |
| UCS | | 2 | 01h 48h | 01h 48h | 01h 48h | 01h 48h |
| SYS | | 2 | 02h 42h | 02h 42h | 02h 42h | 02h 42h |
| REF | | 2 | 03h A0h | 03h A0h | 03h A0h | 03h A0h |
| Port Mapping | | 2 | 01h 10h | 01h 10h | 01h 10h | 01h 10h |
| Port 1 and 2 | | 2 | 04h 51h | 04h 51h | 04h 51h | 04h 51h |
| Port 3 and 4 | | 2 | 02h 52h | 02h 52h | 02h 52h | 02h 52h |
| Port 5 and 6 | | 2 | 02h 53h | 02h 53h | 02h 53h | 02h 53h |
| JTAG | | 2 | 0Eh 5Fh | 0Eh 5Fh | 0Eh 5Fh | 0Eh 5Fh |
| TA0 | | 2 | 02h 62h | 02h 62h | 02h 62h | 02h 62h |
| TA1 | | 2 | 04h 61h | 04h 61h | 04h 61h | 04h 61h |
| TB0 | | 2 | 04h 67h | 04h 67h | 04h 67h | 04h 67h |
| TA2 | | 2 | 04h 61h | 04h 61h | 04h 61h | 04h 61h |
| RTC | | 2 | 0Ah 68h | 0Ah 68h | 0Ah 68h | 0Ah 68h |
| MPY32 | | 2 | 02h 85h | 02h 85h | 02h 85h | 02h 85h |
| DMA-3 | | 2 | 04h 47h | 04h 47h | 04h 47h | 04h 47h |
| USCI_A and USCI_B | | 2 | 10h 90h | 10h 90h | 10h 90h | 10h 90h |
| ADC10_A | | 2 | N/A | N/A | N/A | N/A |
| COMP_B | | 2 | 2Ch A8h | 2Ch A8h | 2Ch A8h | 2Ch A8h |
| USB | | 2 | 04h 98h | 04h 98h | 04h 98h | 04h 98h |

Table 6-58. F5500 to F5503 Device Descriptor⁽¹⁾ (continued)

| DESCRIPTION | ADDRESS | SIZE (bytes) | VALUE | | | |
|---------------|---------|-----------------|-------|-------|-------|-------|
| | | | F5503 | F5502 | F5501 | F5500 |
| COMP_B | | 1 | A8h | A8h | A8h | A8h |
| TB0.CCIFG0 | | 1 | 64h | 64h | 64h | 64h |
| TB0.CCIFG1..6 | | 1 | 65h | 65h | 65h | 65h |
| WDTIFG | | 1 | 40h | 40h | 40h | 40h |
| USCI_A0 | | 1 | 01h | 01h | 01h | 01h |
| USCI_B0 | | 1 | 01h | 01h | 01h | 01h |
| ADC10_A | | 1 | 01h | 01h | 01h | 01h |
| TA0.CCIFG0 | | 1 | 60h | 60h | 60h | 60h |
| TA0.CCIFG1..4 | | 1 | 61h | 61h | 61h | 61h |
| USB | | 1 | 98h | 98h | 98h | 98h |
| DMA | | 1 | 46h | 46h | 46h | 46h |
| TA1.CCIFG0 | | 1 | 62h | 62h | 62h | 62h |
| TA1.CCIFG1..2 | | 1 | 63h | 63h | 63h | 63h |
| P1 | | 1 | 50h | 50h | 50h | 50h |
| USCI_A1 | | 1 | 92h | 92h | 92h | 92h |
| USCI_B1 | | 1 | 93h | 93h | 93h | 93h |
| TA1.CCIFG0 | | 1 | 66h | 66h | 66h | 66h |
| TA1.CCIFG1..2 | | 1 | 67h | 67h | 67h | 67h |
| P2 | | 1 | 51h | 51h | 51h | 51h |
| RTC_A | | 1 | 68h | 68h | 68h | 68h |
| Delimiter | | 1 | 00h | 00h | 00h | 00h |

7 Device and Documentation Support

7.1 Getting Started and Next Steps

For an introduction to the MSP430™ family of microcontrollers and the tools and libraries that are available to help with your development, visit the [MSP430 ultra-low-power sensing & measurement MCUs overview](#).

7.2 Device Nomenclature

To designate the stages in the product development cycle, TI assigns prefixes to the part numbers of all MSP MCU devices. Each MSP MCU commercial family member has one of two prefixes: MSP or XMS. These prefixes represent evolutionary stages of product development from engineering prototypes (XMS) through fully qualified production devices (MSP).

XMS – Experimental device that is not necessarily representative of the final device's electrical specifications

MSP – Fully qualified production device

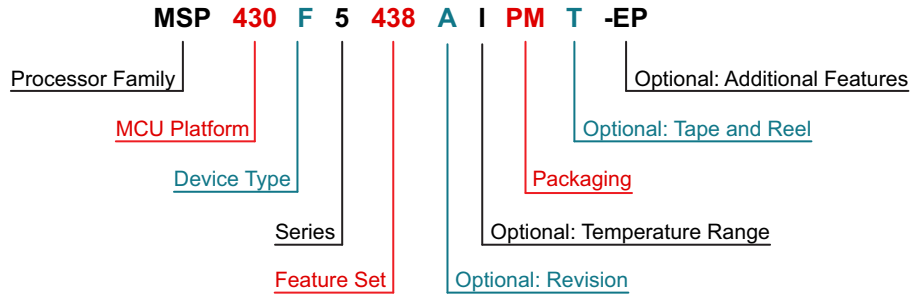
XMS devices are shipped against the following disclaimer:

"Developmental product is intended for internal evaluation purposes."

MSP devices have been characterized fully, and the quality and reliability of the device have been demonstrated fully. TI's standard warranty applies.

Predictions show that prototype devices (XMS) have a greater failure rate than the standard production devices. TI recommends that these devices not be used in any production system because their expected end-use failure rate still is undefined. Only qualified production devices are to be used.

TI device nomenclature also includes a suffix with the device family name. This suffix indicates the temperature range, package type, and distribution format. [Figure 7-1](#) provides a legend for reading the complete device name.



| | | | |
|---|--|---|---|
| Processor Family | CC = Embedded RF Radio MSP = Mixed-Signal Processor XMS = Experimental Silicon PMS = Prototype Device | | |
| MCU Platform | 430 = MSP430 low-power microcontroller platform | | |
| Device Type | <table border="0" style="width: 100%;"> <tr> <td style="vertical-align: top;">Memory Type C = ROM F = Flash FR = FRAM G = Flash L = No nonvolatile memory</td> <td style="vertical-align: top;">Specialized Application AFE = Analog front end BQ = Contactless power CG = ROM medical FE = Flash energy meter FG = Flash medical FW = Flash electronic flow meter</td> </tr> </table> | Memory Type C = ROM F = Flash FR = FRAM G = Flash L = No nonvolatile memory | Specialized Application AFE = Analog front end BQ = Contactless power CG = ROM medical FE = Flash energy meter FG = Flash medical FW = Flash electronic flow meter |
| Memory Type C = ROM F = Flash FR = FRAM G = Flash L = No nonvolatile memory | Specialized Application AFE = Analog front end BQ = Contactless power CG = ROM medical FE = Flash energy meter FG = Flash medical FW = Flash electronic flow meter | | |
| Series | <table border="0" style="width: 100%;"> <tr> <td style="vertical-align: top;">1 = Up to 8 MHz 2 = Up to 16 MHz 3 = Legacy 4 = Up to 16 MHz with LCD driver</td> <td style="vertical-align: top;">5 = Up to 25 MHz 6 = Up to 25 MHz with LCD driver 0 = Low-voltage series</td> </tr> </table> | 1 = Up to 8 MHz 2 = Up to 16 MHz 3 = Legacy 4 = Up to 16 MHz with LCD driver | 5 = Up to 25 MHz 6 = Up to 25 MHz with LCD driver 0 = Low-voltage series |
| 1 = Up to 8 MHz 2 = Up to 16 MHz 3 = Legacy 4 = Up to 16 MHz with LCD driver | 5 = Up to 25 MHz 6 = Up to 25 MHz with LCD driver 0 = Low-voltage series | | |
| Feature Set | Various levels of integration within a series | | |
| Optional: Revision | Updated version of the base part number | | |
| Optional: Temperature Range | S = 0°C to 50°C C = 0°C to 70°C I = -40°C to 85°C T = -40°C to 105°C | | |
| Packaging | http://www.ti.com/packaging | | |
| Optional: Tape and Reel | T = Small reel R = Large reel No markings = Tube or tray | | |
| Optional: Additional Features | -EP = Enhanced product (-40°C to 105°C) -HT = Extreme temperature parts (-55°C to 150°C) -Q1 = Automotive Q100 qualified | | |

Figure 7-1. Device Nomenclature

7.3 Tools and Software

All MSP microcontrollers are supported by a wide variety of software and hardware development tools. Tools are available from TI and various third parties. See them all at [MSP430 Ultra-Low-Power MCUs – Tools & software](#).

Table 7-1 lists the debug features of the MSP430F5510 and MSP430F550x MCUs. See the [Code Composer Studio IDE for MSP430 User's Guide](#) for details on the available features.

Table 7-1. Hardware Features

| MSP430 ARCHITECTURE | 4-WIRE JTAG | 2-WIRE JTAG | BREAK-POINTS (N) | RANGE BREAK-POINTS | CLOCK CONTROL | STATE SEQUENCER | TRACE BUFFER | LPMx.5 DEBUGGING SUPPORT |
|---------------------|-------------|-------------|------------------|--------------------|---------------|-----------------|--------------|--------------------------|
| MSP430Xv2 | Yes | Yes | 8 | Yes | Yes | Yes | Yes | No |

Design Kits and Evaluation Modules

64-Pin Target Development Board and MSP-FET Programmer Bundle for MSP430F5x MCUs The MSP-FET430U64USB is a powerful flash emulation tool that allows you to quickly begin application development on the MSP430 MCU. It includes USB debugging interface used to program and debug the MSP430 in-system through the JTAG interface or the pin saving Spy Bi-Wire (2-wire JTAG) protocol. The flash memory can be erased and programmed in seconds with only a few keystrokes, and because the MSP430 flash is ultra-low power, no external power supply is required.

MSP-TS430RGC64USB - 64-pin Target Development Board for MSP430F5x MCUs The MSP-TS430RGC64USB is a stand-alone 64-pin ZIF socket target board used to program and debug the MSP430 MCU in-system through the JTAG interface or the Spy Bi-Wire (2-wire JTAG) protocol.

Software

MSP430Ware™ Software MSP430Ware software is a collection of code examples, data sheets, and other design resources for all MSP430 devices delivered in a convenient package. In addition to providing a complete collection of existing MSP430 design resources, MSP430Ware software also includes a high-level API called MSP Driver Library. This library makes it easy to program MSP430 hardware. MSP430Ware software is available as a component of Code Composer Studio™ IDE or as a stand-alone package.

MSP430F550x, MSP430F5510 C Code Examples C Code examples are available for every MSP device that configures each of the integrated peripherals for various application needs.

MSP Driver Library Driver Library's abstracted API keeps you above the bits and bytes of the MSP430 hardware by providing easy-to-use function calls. Thorough documentation is delivered through a helpful API Guide, which includes details on each function call and the recognized parameters. Developers can use Driver Library functions to write complete projects with minimal overhead.

MSP EnergyTrace™ Technology EnergyTrace technology for MSP430 microcontrollers is an energy-based code analysis tool that measures and displays the application's energy profile and helps to optimize it for ultra-low-power consumption.

ULP (Ultra-Low Power) Advisor ULP Advisor™ software is a tool for guiding developers to write more efficient code to fully utilize the unique ultra-low power features of MSP and MSP432 microcontrollers. Aimed at both experienced and new microcontroller developers, ULP Advisor checks your code against a thorough ULP checklist to squeeze every last nano amp out of your application. At build time, ULP Advisor will provide notifications and remarks to highlight areas of your code that can be further optimized for lower power.

MSP430 USB Developers Package The USB Developers Package for MSP430 is a software package containing all necessary source code and sample applications required for developing a USB-based MSP430 project. The package only supports MSP430 USB devices.

IEC60730 Software Package The IEC60730 MSP430 software package was developed to be useful in assisting customers in complying with IEC 60730-1:2010 (Automatic Electrical Controls for Household and Similar Use – Part 1: General Requirements) for up to Class B products, which includes home appliances, arc detectors, power converters, power tools, e-bikes, and many others. The IEC60730 MSP430 software package can be embedded in customer applications running on MSP430s to help simplify the customer's certification efforts of functional safety-compliant consumer devices to IEC 60730-1:2010 Class B.

Fixed Point Math Library for MSP The MSP IQmath and Qmath Libraries are a collection of highly optimized and high-precision mathematical functions for C programmers to seamlessly port a floating-point algorithm into fixed-point code on MSP430 and MSP432 devices. These routines are typically used in computationally intensive real-time applications where optimal execution speed, high accuracy, and ultra-low energy are critical. By using the IQmath and Qmath libraries, it is possible to achieve execution speeds considerably faster and energy consumption considerably lower than equivalent code written using floating-point math.

Floating Point Math Library for MSP430 Continuing to innovate in the low power and low cost microcontroller space, TI brings you MSPMATHLIB. Leveraging the intelligent peripherals of our devices, this floating point math library of scalar functions brings you up to 26x better performance. Mathlib is easy to integrate into your designs. This library is free and is integrated in both Code Composer Studio and IAR IDEs. Read the user's guide for an in depth look at the math library and relevant benchmarks.

Development Tools

Code Composer Studio™ Integrated Development Environment for MSP Microcontrollers Code Composer Studio is an integrated development environment (IDE) that supports all MSP microcontroller devices. Code Composer Studio comprises a suite of embedded software utilities used to develop and debug embedded applications. It includes an optimizing C/C++ compiler, source code editor, project build environment, debugger, profiler, and many other features. The intuitive IDE provides a single user interface taking you through each step of the application development flow. Familiar utilities and interfaces allow users to get started faster than ever before. Code Composer Studio combines the advantages of the Eclipse software framework with advanced embedded debug capabilities from TI resulting in a compelling feature-rich development environment for embedded developers. When using CCS with an MSP MCU, a unique and powerful set of plugins and embedded software utilities are made available to fully leverage the MSP microcontroller.

Command-Line Programmer MSP Flasher is an open-source shell-based interface for programming MSP microcontrollers through a FET programmer or eZ430 using JTAG or Spy-Bi-Wire (SBW) communication. MSP Flasher can download binary files (.txt or .hex) files directly to the MSP microcontroller without an IDE.

MSP MCU Programmer and Debugger The MSP-FET is a powerful emulation development tool – often called a debug probe – which allows users to quickly begin application development on MSP low-power microcontrollers (MCU). Creating MCU software usually requires downloading the resulting binary program to the MSP device for validation and debugging. The MSP-FET provides a debug communication pathway between a host computer and the target MSP. Furthermore, the MSP-FET also provides a Backchannel UART connection between the computer's USB interface and the MSP UART. This affords the MSP programmer a convenient method for communicating serially between the MSP and a terminal running on the computer. It also supports loading programs (often called firmware) to the MSP target using the BSL (bootloader) through the UART and I²C communication protocols.

MSP-GANG Production Programmer The MSP Gang Programmer is an MSP430 or MSP432 device programmer that can program up to eight identical MSP430 or MSP432 Flash or FRAM devices at the same time. The MSP Gang Programmer connects to a host PC using a standard RS-232 or USB connection and provides flexible programming options that allow the user to fully customize the process. The MSP Gang Programmer is provided with an expansion board, called the Gang Splitter, that implements the interconnections between the MSP Gang Programmer and multiple target devices. Eight cables are provided that connect the expansion board to eight target devices (through JTAG or Spy-Bi-Wire connectors). The programming can be done with a PC or as a stand-alone device. A PC-side graphical user interface is also available and is DLL-based.

7.4 Documentation Support

The following documents describe the MSP430F550x microcontrollers. Copies of these documents are available on the Internet at www.ti.com.

Receiving Notification of Document Updates

To receive notification of documentation updates—including silicon errata—go to the product folder for your device on ti.com (for links to the product folders, see [Table 7-2](#)). In the upper right corner, click the "Alert me" button. This registers you to receive a weekly digest of product information that has changed (if any). For change details, check the revision history of any revised document.

Errata

MSP430F5510 Device Erratasheet Describes the known exceptions to the functional specifications for the MSP430F5510 device.

MSP430F5509 Device Erratasheet Describes the known exceptions to the functional specifications for the MSP430F5509 device.

MSP430F5508 Device Erratasheet Describes the known exceptions to the functional specifications for the MSP430F5508 device.

MSP430F5507 Device Erratasheet Describes the known exceptions to the functional specifications for the MSP430F5507 device.

MSP430F5506 Device Erratasheet Describes the known exceptions to the functional specifications for the MSP430F5506 device.

MSP430F5505 Device Erratasheet Describes the known exceptions to the functional specifications for the MSP430F5505 device.

MSP430F5504 Device Erratasheet Describes the known exceptions to the functional specifications for the MSP430F5504 device.

MSP430F5503 Device Erratasheet Describes the known exceptions to the functional specifications for the MSP430F5503 device.

MSP430F5502 Device Erratasheet Describes the known exceptions to the functional specifications for the MSP430F5502 device.

MSP430F5501 Device Erratasheet Describes the known exceptions to the functional specifications for the MSP430F5501 device.

MSP430F5500 Device Erratasheet Describes the known exceptions to the functional specifications for the MSP430F5500 device.

User's Guides

MSP430F5xx and MSP430F6xx Family User's Guide Detailed information on the modules and peripherals available in this device family.

MSP430 Flash Device Bootloader (BSL) User's Guide The MSP430 bootloader (BSL) lets users communicate with embedded memory in the MSP430 microcontroller during the prototyping phase, final production, and in service. Both the programmable memory (flash memory) and the data memory (RAM) can be modified as required. Do not confuse the bootloader with the bootstrap loader programs found in some digital signal processors (DSPs) that automatically load program code (and data) from external memory to the internal memory of the DSP.

MSP430 Programming With the JTAG Interface This document describes the functions that are required to erase, program, and verify the memory module of the MSP430 flash-based and FRAM-based microcontroller families using the JTAG communication port. In addition, it describes how to program the JTAG access security fuse that is available on all MSP430 devices. This document describes device access using both the standard 4-wire JTAG interface and the 2-wire JTAG interface, which is also referred to as Spy-Bi-Wire (SBW).

MSP430 Hardware Tools User's Guide This manual describes the hardware of the TI MSP-FET430 Flash Emulation Tool (FET). The FET is the program development tool for the MSP430 ultra-low-power microcontroller. Both available interface types, the parallel port interface and the USB interface, are described.

Application Reports

MSP430 32-kHz Crystal Oscillators Selection of the right crystal, correct load circuit, and proper board layout are important for a stable crystal oscillator. This application report summarizes crystal oscillator function and explains the parameters to select the correct crystal for MSP430 ultra-low-power operation. In addition, hints and examples for correct board layout are given. The document also contains detailed information on the possible oscillator tests to ensure stable oscillator operation in mass production.

MSP430 System-Level ESD Considerations System-Level ESD has become increasingly demanding with silicon technology scaling towards lower voltages and the need for designing cost-effective and ultra-low-power components. This application report addresses three different ESD topics to help board designers and OEMs understand and design robust system-level designs: (1) Component-level ESD testing and system-level ESD testing, their differences and why component-level ESD rating does not ensure system-level robustness. (2) General design guidelines for system-level ESD protection at different levels including enclosures, cables, PCB layout, and on-board ESD protection devices. (3) Introduction to System Efficient ESD Design (SEED), a co-design methodology of on-board and on-chip ESD protection to achieve system-level ESD robustness, with example simulations and test results. A few real-world system-level ESD protection design examples and their results are also discussed.

7.5 Related Links

Table 7-2 lists quick access links. Categories include technical documents, support and community resources, tools and software, and quick access to sample or buy.

Table 7-2. Related Links

| PARTS | PRODUCT FOLDER | ORDER NOW | TECHNICAL DOCUMENTS | TOOLS & SOFTWARE | SUPPORT & COMMUNITY |
|-------------|----------------------------|----------------------------|----------------------------|----------------------------|----------------------------|
| MSP430F5510 | Click here | Click here | Click here | Click here | Click here |
| MSP430F5509 | Click here | Click here | Click here | Click here | Click here |
| MSP430F5508 | Click here | Click here | Click here | Click here | Click here |
| MSP430F5507 | Click here | Click here | Click here | Click here | Click here |
| MSP430F5506 | Click here | Click here | Click here | Click here | Click here |
| MSP430F5505 | Click here | Click here | Click here | Click here | Click here |
| MSP430F5504 | Click here | Click here | Click here | Click here | Click here |
| MSP430F5503 | Click here | Click here | Click here | Click here | Click here |
| MSP430F5502 | Click here | Click here | Click here | Click here | Click here |
| MSP430F5501 | Click here | Click here | Click here | Click here | Click here |
| MSP430F5500 | Click here | Click here | Click here | Click here | Click here |

7.6 Community Resources

The following links connect to TI community resources. Linked contents are provided "AS IS" by the respective contributors. They do not constitute TI specifications and do not necessarily reflect TI's views; see TI's [Terms of Use](#).

[TI E2E™ Community](#)

TI's Engineer-to-Engineer (E2E) Community. Created to foster collaboration among engineers. At e2e.ti.com, you can ask questions, share knowledge, explore ideas, and help solve problems with fellow engineers.

[TI Embedded Processors Wiki](#)

Texas Instruments Embedded Processors Wiki. Established to help developers get started with embedded processors from Texas Instruments and to foster innovation and growth of general knowledge about the hardware and software surrounding these devices.

7.7 Trademarks

MicroStar Junior, MSP430, MSP430Ware, Code Composer Studio, EnergyTrace, ULP Advisor, E2E are trademarks of Texas Instruments.
All other trademarks are the property of their respective owners.

7.8 Electrostatic Discharge Caution



This integrated circuit can be damaged by ESD. Texas Instruments recommends that all integrated circuits be handled with appropriate precautions. Failure to observe proper handling and installation procedures can cause damage.

ESD damage can range from subtle performance degradation to complete device failure. Precision integrated circuits may be more susceptible to damage because very small parametric changes could cause the device not to meet its published specifications.

7.9 Export Control Notice

Recipient agrees to not knowingly export or re-export, directly or indirectly, any product or technical data (as defined by the U.S., EU, and other Export Administration Regulations) including software, or any controlled product restricted by other applicable national regulations, received from disclosing party under nondisclosure obligations (if any), or any direct product of such technology, to any destination to which such export or re-export is restricted or prohibited by U.S. or other applicable laws, without obtaining prior authorization from U.S. Department of Commerce and other competent Government authorities to the extent required by those laws.

7.10 Glossary

TI Glossary This glossary lists and explains terms, acronyms, and definitions.

8 Mechanical, Packaging, and Orderable Information

The following pages include mechanical, packaging, and orderable information. This information is the most current data available for the designated devices. This data is subject to change without notice and revision of this document. For browser-based versions of this data sheet, refer to the left-hand navigation.

PACKAGING INFORMATION

| Orderable Device | Status (1) | Package Type | Package Drawing | Pins | Package Qty | Eco Plan (2) | Lead finish/ Ball material (6) | MSL Peak Temp (3) | Op Temp (°C) | Device Marking (4/5) | Samples |
|------------------|---------------|--------------|-----------------|------|-------------|-----------------|--------------------------------------|----------------------|--------------|-------------------------|-------------------------|
| MSP430F5500IRGZR | ACTIVE | VQFN | RGZ | 48 | 2500 | RoHS & Green | NIPDAU | Level-3-260C-168 HR | -40 to 85 | M430 F5500 | Samples |
| MSP430F5500IRGZT | ACTIVE | VQFN | RGZ | 48 | 250 | RoHS & Green | NIPDAU | Level-3-260C-168 HR | -40 to 85 | M430 F5500 | Samples |
| MSP430F5501IRGZR | ACTIVE | VQFN | RGZ | 48 | 2500 | RoHS & Green | NIPDAU | Level-3-260C-168 HR | -40 to 85 | M430 F5501 | Samples |
| MSP430F5501IRGZT | ACTIVE | VQFN | RGZ | 48 | 250 | RoHS & Green | NIPDAU | Level-3-260C-168 HR | -40 to 85 | M430 F5501 | Samples |
| MSP430F5502IRGZR | ACTIVE | VQFN | RGZ | 48 | 2500 | RoHS & Green | NIPDAU | Level-3-260C-168 HR | -40 to 85 | M430 F5502 | Samples |
| MSP430F5502IRGZT | ACTIVE | VQFN | RGZ | 48 | 250 | RoHS & Green | NIPDAU | Level-3-260C-168 HR | -40 to 85 | M430 F5502 | Samples |
| MSP430F5503IRGZR | ACTIVE | VQFN | RGZ | 48 | 2500 | RoHS & Green | NIPDAU | Level-3-260C-168 HR | -40 to 85 | M430 F5503 | Samples |
| MSP430F5503IRGZT | ACTIVE | VQFN | RGZ | 48 | 250 | RoHS & Green | NIPDAU | Level-3-260C-168 HR | -40 to 85 | M430 F5503 | Samples |
| MSP430F5504IPT | ACTIVE | LQFP | PT | 48 | 250 | RoHS & Green | NIPDAU | Level-3-260C-168 HR | -40 to 85 | M430F5504 | Samples |
| MSP430F5504IPTR | ACTIVE | LQFP | PT | 48 | 1000 | RoHS & Green | NIPDAU | Level-3-260C-168 HR | -40 to 85 | M430F5504 | Samples |
| MSP430F5504IRGZR | ACTIVE | VQFN | RGZ | 48 | 2500 | RoHS & Green | NIPDAU | Level-3-260C-168 HR | -40 to 85 | M430 F5504 | Samples |
| MSP430F5504IRGZT | ACTIVE | VQFN | RGZ | 48 | 250 | RoHS & Green | NIPDAU | Level-3-260C-168 HR | -40 to 85 | M430 F5504 | Samples |
| MSP430F5505IRGZR | ACTIVE | VQFN | RGZ | 48 | 2500 | RoHS & Green | NIPDAU | Level-3-260C-168 HR | -40 to 85 | M430 F5505 | Samples |
| MSP430F5505IRGZT | ACTIVE | VQFN | RGZ | 48 | 250 | RoHS & Green | NIPDAU | Level-3-260C-168 HR | -40 to 85 | M430 F5505 | Samples |
| MSP430F5506IRGZR | ACTIVE | VQFN | RGZ | 48 | 2500 | RoHS & Green | NIPDAU | Level-3-260C-168 HR | -40 to 85 | M430 F5506 | Samples |
| MSP430F5506IRGZT | ACTIVE | VQFN | RGZ | 48 | 250 | RoHS & Green | NIPDAU | Level-3-260C-168 HR | -40 to 85 | M430 F5506 | Samples |
| MSP430F5507IRGZR | ACTIVE | VQFN | RGZ | 48 | 2500 | RoHS & Green | NIPDAU | Level-3-260C-168 HR | -40 to 85 | M430 F5507 | Samples |

| Orderable Device | Status (1) | Package Type | Package Drawing | Pins | Package Qty | Eco Plan (2) | Lead finish/ Ball material (6) | MSL Peak Temp (3) | Op Temp (°C) | Device Marking (4/5) | Samples |
|------------------|---------------|--------------|-----------------|------|-------------|-----------------|--------------------------------------|----------------------|--------------|-------------------------|-------------------------|
| MSP430F5507IRGZT | ACTIVE | VQFN | RGZ | 48 | 250 | RoHS & Green | NIPDAU | Level-3-260C-168 HR | -40 to 85 | M430 F5507 | Samples |
| MSP430F5508IPT | ACTIVE | LQFP | PT | 48 | 250 | RoHS & Green | NIPDAU | Level-3-260C-168 HR | -40 to 85 | M430F5508 | Samples |
| MSP430F5508IPTR | ACTIVE | LQFP | PT | 48 | 1000 | RoHS & Green | NIPDAU | Level-3-260C-168 HR | -40 to 85 | M430F5508 | Samples |
| MSP430F5508IRGCR | ACTIVE | VQFN | RGC | 64 | 2000 | RoHS & Green | NIPDAU | Level-3-260C-168 HR | -40 to 85 | M430F5508 | Samples |
| MSP430F5508IRGCT | ACTIVE | VQFN | RGC | 64 | 250 | RoHS & Green | NIPDAU | Level-3-260C-168 HR | -40 to 85 | M430F5508 | Samples |
| MSP430F5508IRGZR | ACTIVE | VQFN | RGZ | 48 | 2500 | RoHS & Green | NIPDAU | Level-3-260C-168 HR | -40 to 85 | M430 F5508 | Samples |
| MSP430F5508IRGZT | ACTIVE | VQFN | RGZ | 48 | 250 | RoHS & Green | NIPDAU | Level-3-260C-168 HR | -40 to 85 | M430 F5508 | Samples |
| MSP430F5508IZXH | ACTIVE | NFBGA | ZXH | 80 | 576 | RoHS & Green | SNAGCU | Level-3-260C-168 HR | -40 to 85 | F5508 | Samples |
| MSP430F5509IPT | ACTIVE | LQFP | PT | 48 | 250 | RoHS & Green | NIPDAU | Level-3-260C-168 HR | -40 to 85 | M430F5509 | Samples |
| MSP430F5509IRGCR | ACTIVE | VQFN | RGC | 64 | 2000 | RoHS & Green | NIPDAU | Level-3-260C-168 HR | -40 to 85 | M430F5509 | Samples |
| MSP430F5509IRGCT | ACTIVE | VQFN | RGC | 64 | 250 | RoHS & Green | NIPDAU | Level-3-260C-168 HR | -40 to 85 | M430F5509 | Samples |
| MSP430F5509IRGZR | ACTIVE | VQFN | RGZ | 48 | 2500 | RoHS & Green | NIPDAU | Level-3-260C-168 HR | -40 to 85 | M430 F5509 | Samples |
| MSP430F5509IRGZT | ACTIVE | VQFN | RGZ | 48 | 250 | RoHS & Green | NIPDAU | Level-3-260C-168 HR | -40 to 85 | M430 F5509 | Samples |
| MSP430F5509IZXH | ACTIVE | NFBGA | ZXH | 80 | 576 | RoHS & Green | SNAGCU | Level-3-260C-168 HR | -40 to 85 | F5509 | Samples |
| MSP430F5509IZXHR | ACTIVE | NFBGA | ZXH | 80 | 2500 | RoHS & Green | SNAGCU | Level-3-260C-168 HR | -40 to 85 | F5509 | Samples |
| MSP430F5510IPT | ACTIVE | LQFP | PT | 48 | 250 | RoHS & Green | NIPDAU | Level-3-260C-168 HR | -40 to 85 | M430F5510 | Samples |
| MSP430F5510IPTR | ACTIVE | LQFP | PT | 48 | 1000 | RoHS & Green | NIPDAU | Level-3-260C-168 HR | -40 to 85 | M430F5510 | Samples |
| MSP430F5510IRGCR | ACTIVE | VQFN | RGC | 64 | 2000 | RoHS & Green | NIPDAU | Level-3-260C-168 HR | -40 to 85 | M430F5510 | Samples |
| MSP430F5510IRGCT | ACTIVE | VQFN | RGC | 64 | 250 | RoHS & Green | NIPDAU | Level-3-260C-168 HR | -40 to 85 | M430F5510 | Samples |
| MSP430F5510IRGZR | ACTIVE | VQFN | RGZ | 48 | 2500 | RoHS & Green | NIPDAU | Level-3-260C-168 HR | -40 to 85 | M430 F5510 | Samples |

| Orderable Device | Status (1) | Package Type | Package Drawing | Pins | Package Qty | Eco Plan (2) | Lead finish/ Ball material (6) | MSL Peak Temp (3) | Op Temp (°C) | Device Marking (4/5) | Samples |
|------------------|---------------|--------------|-----------------|------|-------------|-----------------|--------------------------------------|----------------------|--------------|-------------------------|-------------------------|
| MSP430F5510IRGZT | ACTIVE | VQFN | RGZ | 48 | 250 | RoHS & Green | NIPDAU | Level-3-260C-168 HR | -40 to 85 | M430 F5510 | Samples |
| MSP430F5510IZXH | ACTIVE | NFBGA | ZXH | 80 | 576 | RoHS & Green | SNAGCU | Level-3-260C-168 HR | -40 to 85 | F5510 | Samples |
| MSP430F5510IZXHR | ACTIVE | NFBGA | ZXH | 80 | 2500 | RoHS & Green | SNAGCU | Level-3-260C-168 HR | -40 to 85 | F5510 | Samples |

(1) The marketing status values are defined as follows:

ACTIVE: Product device recommended for new designs.

LIFEBUY: TI has announced that the device will be discontinued, and a lifetime-buy period is in effect.

NRND: Not recommended for new designs. Device is in production to support existing customers, but TI does not recommend using this part in a new design.

PREVIEW: Device has been announced but is not in production. Samples may or may not be available.

OBSOLETE: TI has discontinued the production of the device.

(2) **RoHS:** TI defines "RoHS" to mean semiconductor products that are compliant with the current EU RoHS requirements for all 10 RoHS substances, including the requirement that RoHS substance do not exceed 0.1% by weight in homogeneous materials. Where designed to be soldered at high temperatures, "RoHS" products are suitable for use in specified lead-free processes. TI may reference these types of products as "Pb-Free".

RoHS Exempt: TI defines "RoHS Exempt" to mean products that contain lead but are compliant with EU RoHS pursuant to a specific EU RoHS exemption.

Green: TI defines "Green" to mean the content of Chlorine (Cl) and Bromine (Br) based flame retardants meet JS709B low halogen requirements of <=1000ppm threshold. Antimony trioxide based flame retardants must also meet the <=1000ppm threshold requirement.

(3) MSL, Peak Temp. - The Moisture Sensitivity Level rating according to the JEDEC industry standard classifications, and peak solder temperature.

(4) There may be additional marking, which relates to the logo, the lot trace code information, or the environmental category on the device.

(5) Multiple Device Markings will be inside parentheses. Only one Device Marking contained in parentheses and separated by a "~" will appear on a device. If a line is indented then it is a continuation of the previous line and the two combined represent the entire Device Marking for that device.

(6) Lead finish/Ball material - Orderable Devices may have multiple material finish options. Finish options are separated by a vertical ruled line. Lead finish/Ball material values may wrap to two lines if the finish value exceeds the maximum column width.

Important Information and Disclaimer:The information provided on this page represents TI's knowledge and belief as of the date that it is provided. TI bases its knowledge and belief on information provided by third parties, and makes no representation or warranty as to the accuracy of such information. Efforts are underway to better integrate information from third parties. TI has taken and continues to take reasonable steps to provide representative and accurate information but may not have conducted destructive testing or chemical analysis on incoming materials and chemicals. TI and TI suppliers consider certain information to be proprietary, and thus CAS numbers and other limited information may not be available for release.

In no event shall TI's liability arising out of such information exceed the total purchase price of the TI part(s) at issue in this document sold by TI to Customer on an annual basis.

TAPE AND REEL INFORMATION

QUADRANT ASSIGNMENTS FOR PIN 1 ORIENTATION IN TAPE


*All dimensions are nominal

| Device | Package Type | Package Drawing | Pins | SPQ | Reel Diameter (mm) | Reel Width W1 (mm) | A0 (mm) | B0 (mm) | K0 (mm) | P1 (mm) | W (mm) | Pin1 Quadrant |
|------------------|--------------|-----------------|------|------|--------------------|--------------------|---------|---------|---------|---------|--------|---------------|
| MSP430F5500IRGZR | VQFN | RGZ | 48 | 2500 | 330.0 | 16.4 | 7.3 | 7.3 | 1.5 | 12.0 | 16.0 | Q2 |
| MSP430F5500IRGZT | VQFN | RGZ | 48 | 250 | 180.0 | 16.4 | 7.3 | 7.3 | 1.5 | 12.0 | 16.0 | Q2 |
| MSP430F5501IRGZR | VQFN | RGZ | 48 | 2500 | 330.0 | 16.4 | 7.3 | 7.3 | 1.5 | 12.0 | 16.0 | Q2 |
| MSP430F5501IRGZT | VQFN | RGZ | 48 | 250 | 180.0 | 16.4 | 7.3 | 7.3 | 1.5 | 12.0 | 16.0 | Q2 |
| MSP430F5502IRGZR | VQFN | RGZ | 48 | 2500 | 330.0 | 16.4 | 7.3 | 7.3 | 1.5 | 12.0 | 16.0 | Q2 |
| MSP430F5502IRGZT | VQFN | RGZ | 48 | 250 | 180.0 | 16.4 | 7.3 | 7.3 | 1.5 | 12.0 | 16.0 | Q2 |
| MSP430F5503IRGZR | VQFN | RGZ | 48 | 2500 | 330.0 | 16.4 | 7.3 | 7.3 | 1.5 | 12.0 | 16.0 | Q2 |
| MSP430F5503IRGZT | VQFN | RGZ | 48 | 250 | 180.0 | 16.4 | 7.3 | 7.3 | 1.5 | 12.0 | 16.0 | Q2 |
| MSP430F5504IRGZR | VQFN | RGZ | 48 | 2500 | 330.0 | 16.4 | 7.3 | 7.3 | 1.5 | 12.0 | 16.0 | Q2 |
| MSP430F5504IRGZT | VQFN | RGZ | 48 | 250 | 180.0 | 16.4 | 7.3 | 7.3 | 1.5 | 12.0 | 16.0 | Q2 |
| MSP430F5505IRGZR | VQFN | RGZ | 48 | 2500 | 330.0 | 16.4 | 7.3 | 7.3 | 1.5 | 12.0 | 16.0 | Q2 |
| MSP430F5505IRGZT | VQFN | RGZ | 48 | 250 | 180.0 | 16.4 | 7.3 | 7.3 | 1.5 | 12.0 | 16.0 | Q2 |
| MSP430F5506IRGZR | VQFN | RGZ | 48 | 2500 | 330.0 | 16.4 | 7.3 | 7.3 | 1.5 | 12.0 | 16.0 | Q2 |
| MSP430F5506IRGZT | VQFN | RGZ | 48 | 250 | 180.0 | 16.4 | 7.3 | 7.3 | 1.5 | 12.0 | 16.0 | Q2 |
| MSP430F5507IRGZR | VQFN | RGZ | 48 | 2500 | 330.0 | 16.4 | 7.3 | 7.3 | 1.5 | 12.0 | 16.0 | Q2 |
| MSP430F5507IRGZT | VQFN | RGZ | 48 | 250 | 180.0 | 16.4 | 7.3 | 7.3 | 1.5 | 12.0 | 16.0 | Q2 |

| Device | Package Type | Package Drawing | Pins | SPQ | Reel Diameter (mm) | Reel Width W1 (mm) | A0 (mm) | B0 (mm) | K0 (mm) | P1 (mm) | W (mm) | Pin1 Quadrant |
|------------------|--------------|-----------------|------|------|--------------------|--------------------|---------|---------|---------|---------|--------|---------------|
| MSP430F5508IRGCR | VQFN | RGC | 64 | 2000 | 330.0 | 16.4 | 9.3 | 9.3 | 1.5 | 12.0 | 16.0 | Q2 |
| MSP430F5508IRGCT | VQFN | RGC | 64 | 250 | 180.0 | 16.4 | 9.3 | 9.3 | 1.5 | 12.0 | 16.0 | Q2 |
| MSP430F5508IRGZR | VQFN | RGZ | 48 | 2500 | 330.0 | 16.4 | 7.3 | 7.3 | 1.5 | 12.0 | 16.0 | Q2 |
| MSP430F5508IRGZT | VQFN | RGZ | 48 | 250 | 180.0 | 16.4 | 7.3 | 7.3 | 1.5 | 12.0 | 16.0 | Q2 |
| MSP430F5509IRGCR | VQFN | RGC | 64 | 2000 | 330.0 | 16.4 | 9.3 | 9.3 | 1.5 | 12.0 | 16.0 | Q2 |
| MSP430F5509IRGCT | VQFN | RGC | 64 | 250 | 180.0 | 16.4 | 9.3 | 9.3 | 1.5 | 12.0 | 16.0 | Q2 |
| MSP430F5509IRGZR | VQFN | RGZ | 48 | 2500 | 330.0 | 16.4 | 7.3 | 7.3 | 1.5 | 12.0 | 16.0 | Q2 |
| MSP430F5509IRGZT | VQFN | RGZ | 48 | 250 | 180.0 | 16.4 | 7.3 | 7.3 | 1.5 | 12.0 | 16.0 | Q2 |
| MSP430F5509IZXHR | NFBGA | ZXH | 80 | 2500 | 330.0 | 12.4 | 5.3 | 5.3 | 1.5 | 8.0 | 12.0 | Q1 |
| MSP430F5510IRGCR | VQFN | RGC | 64 | 2000 | 330.0 | 16.4 | 9.3 | 9.3 | 1.5 | 12.0 | 16.0 | Q2 |
| MSP430F5510IRGCT | VQFN | RGC | 64 | 250 | 180.0 | 16.4 | 9.3 | 9.3 | 1.5 | 12.0 | 16.0 | Q2 |
| MSP430F5510IRGZR | VQFN | RGZ | 48 | 2500 | 330.0 | 16.4 | 7.3 | 7.3 | 1.5 | 12.0 | 16.0 | Q2 |
| MSP430F5510IRGZT | VQFN | RGZ | 48 | 250 | 180.0 | 16.4 | 7.3 | 7.3 | 1.5 | 12.0 | 16.0 | Q2 |
| MSP430F5510IZXHR | NFBGA | ZXH | 80 | 2500 | 330.0 | 12.4 | 5.3 | 5.3 | 1.5 | 8.0 | 12.0 | Q1 |

TAPE AND REEL BOX DIMENSIONS


*All dimensions are nominal

| Device | Package Type | Package Drawing | Pins | SPQ | Length (mm) | Width (mm) | Height (mm) |
|------------------|--------------|-----------------|------|------|-------------|------------|-------------|
| MSP430F5500IRGZR | VQFN | RGZ | 48 | 2500 | 367.0 | 367.0 | 38.0 |
| MSP430F5500IRGZT | VQFN | RGZ | 48 | 250 | 210.0 | 185.0 | 35.0 |
| MSP430F5501IRGZR | VQFN | RGZ | 48 | 2500 | 356.0 | 356.0 | 35.0 |
| MSP430F5501IRGZT | VQFN | RGZ | 48 | 250 | 210.0 | 185.0 | 35.0 |
| MSP430F5502IRGZR | VQFN | RGZ | 48 | 2500 | 356.0 | 356.0 | 35.0 |
| MSP430F5502IRGZT | VQFN | RGZ | 48 | 250 | 210.0 | 185.0 | 35.0 |
| MSP430F5503IRGZR | VQFN | RGZ | 48 | 2500 | 367.0 | 367.0 | 38.0 |
| MSP430F5503IRGZT | VQFN | RGZ | 48 | 250 | 210.0 | 185.0 | 35.0 |
| MSP430F5504IRGZR | VQFN | RGZ | 48 | 2500 | 356.0 | 356.0 | 35.0 |
| MSP430F5504IRGZT | VQFN | RGZ | 48 | 250 | 210.0 | 185.0 | 35.0 |
| MSP430F5505IRGZR | VQFN | RGZ | 48 | 2500 | 356.0 | 356.0 | 35.0 |
| MSP430F5505IRGZT | VQFN | RGZ | 48 | 250 | 210.0 | 185.0 | 35.0 |
| MSP430F5506IRGZR | VQFN | RGZ | 48 | 2500 | 356.0 | 356.0 | 35.0 |
| MSP430F5506IRGZT | VQFN | RGZ | 48 | 250 | 210.0 | 185.0 | 35.0 |
| MSP430F5507IRGZR | VQFN | RGZ | 48 | 2500 | 356.0 | 356.0 | 35.0 |
| MSP430F5507IRGZT | VQFN | RGZ | 48 | 250 | 210.0 | 185.0 | 35.0 |
| MSP430F5508IRGCR | VQFN | RGC | 64 | 2000 | 356.0 | 356.0 | 35.0 |
| MSP430F5508IRGCT | VQFN | RGC | 64 | 250 | 210.0 | 185.0 | 35.0 |

| Device | Package Type | Package Drawing | Pins | SPQ | Length (mm) | Width (mm) | Height (mm) |
|------------------|--------------|-----------------|------|------|-------------|------------|-------------|
| MSP430F5508IRGZR | VQFN | RGZ | 48 | 2500 | 356.0 | 356.0 | 35.0 |
| MSP430F5508IRGZT | VQFN | RGZ | 48 | 250 | 210.0 | 185.0 | 35.0 |
| MSP430F5509IRGCR | VQFN | RGC | 64 | 2000 | 356.0 | 356.0 | 35.0 |
| MSP430F5509IRGCT | VQFN | RGC | 64 | 250 | 210.0 | 185.0 | 35.0 |
| MSP430F5509IRGZR | VQFN | RGZ | 48 | 2500 | 356.0 | 356.0 | 35.0 |
| MSP430F5509IRGZT | VQFN | RGZ | 48 | 250 | 210.0 | 185.0 | 35.0 |
| MSP430F5509IZXHR | NFBGA | ZXH | 80 | 2500 | 350.0 | 350.0 | 43.0 |
| MSP430F5510IRGCR | VQFN | RGC | 64 | 2000 | 356.0 | 356.0 | 35.0 |
| MSP430F5510IRGCT | VQFN | RGC | 64 | 250 | 210.0 | 185.0 | 35.0 |
| MSP430F5510IRGZR | VQFN | RGZ | 48 | 2500 | 356.0 | 356.0 | 35.0 |
| MSP430F5510IRGZT | VQFN | RGZ | 48 | 250 | 210.0 | 185.0 | 35.0 |
| MSP430F5510IZXHR | NFBGA | ZXH | 80 | 2500 | 350.0 | 350.0 | 43.0 |

TRAY


Chamfer on Tray corner indicates Pin 1 orientation of packed units.

*All dimensions are nominal

| Device | Package Name | Package Type | Pins | SPQ | Unit array matrix | Max temperature (°C) | L (mm) | W (mm) | K0 (µm) | P1 (mm) | CL (mm) | CW (mm) |
|------------------|--------------|--------------|------|------|-------------------|----------------------|--------|--------|---------|---------|---------|---------|
| MSP430F5504IPT | PT | LQFP | 48 | 250 | 10 x 25 | 150 | 315 | 135.9 | 7620 | 12.2 | 11.1 | 11.25 |
| MSP430F5508IPT | PT | LQFP | 48 | 250 | 10 x 25 | 150 | 315 | 135.9 | 7620 | 12.2 | 11.1 | 11.25 |
| MSP430F5508IZXH | ZXH | NFBGA | 80 | 576 | 16 x 36 | 150 | 315 | 135.9 | 7620 | 8.5 | 8.75 | 8.7 |
| MSP430F5508IZXH | ZXH | NFBGA | 80 | 576 | 16 x 36 | 150 | 315 | 135.9 | 7620 | 8.5 | 8.75 | 8.7 |
| MSP430F5509IPT | PT | LQFP | 48 | 250 | 10 x 25 | 150 | 315 | 135.9 | 7620 | 12.2 | 11.1 | 11.25 |
| MSP430F5509IZXH | ZXH | NFBGA | 80 | 576 | 16 x 36 | 150 | 315 | 135.9 | 7620 | 8.5 | 8.75 | 8.7 |
| MSP430F5509IZXH | ZXH | NFBGA | 80 | 576 | 16 x 36 | 150 | 315 | 135.9 | 7620 | 8.5 | 8.75 | 8.7 |
| MSP430F5509IZXHR | ZXH | NFBGA | 80 | 2500 | 16 x 36 | 150 | 315 | 135.9 | 7620 | 8.5 | 8.75 | 8.7 |
| MSP430F5510IPT | PT | LQFP | 48 | 250 | 10 x 25 | 150 | 315 | 135.9 | 7620 | 12.2 | 11.1 | 11.25 |
| MSP430F5510IZXH | ZXH | NFBGA | 80 | 576 | 16 x 36 | 150 | 315 | 135.9 | 7620 | 8.5 | 8.75 | 8.7 |
| MSP430F5510IZXH | ZXH | NFBGA | 80 | 576 | 16 x 36 | 150 | 315 | 135.9 | 7620 | 8.5 | 8.75 | 8.7 |
| MSP430F5510IZXHR | ZXH | NFBGA | 80 | 2500 | 16 x 36 | 150 | 315 | 135.9 | 7620 | 8.5 | 8.75 | 8.7 |

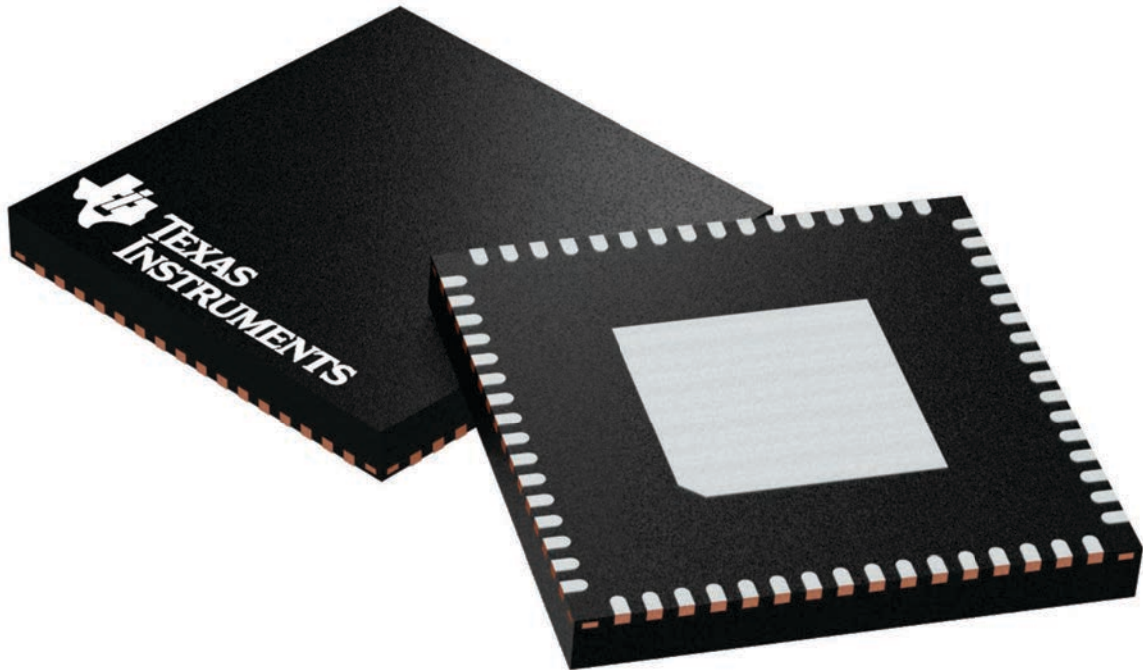
GENERIC PACKAGE VIEW

RGC 64

VQFN - 1 mm max height

9 x 9, 0.5 mm pitch

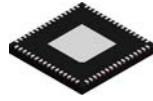
PLASTIC QUAD FLATPACK - NO LEAD



Images above are just a representation of the package family, actual package may vary.
Refer to the product data sheet for package details.

4224597/A

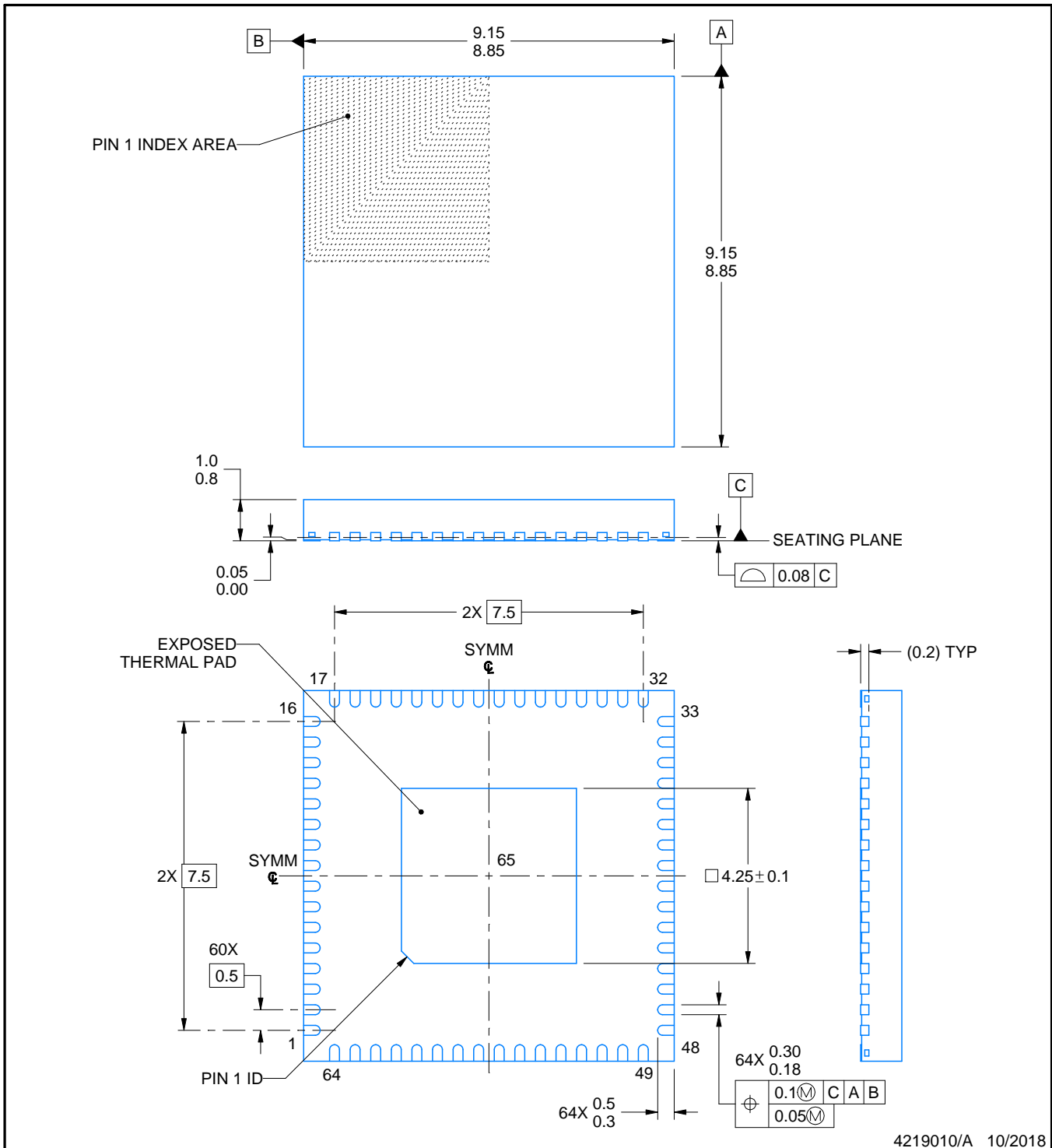
RGC0064B



PACKAGE OUTLINE

VQFN - 1 mm max height

PLASTIC QUAD FLATPACK - NO LEAD



NOTES:

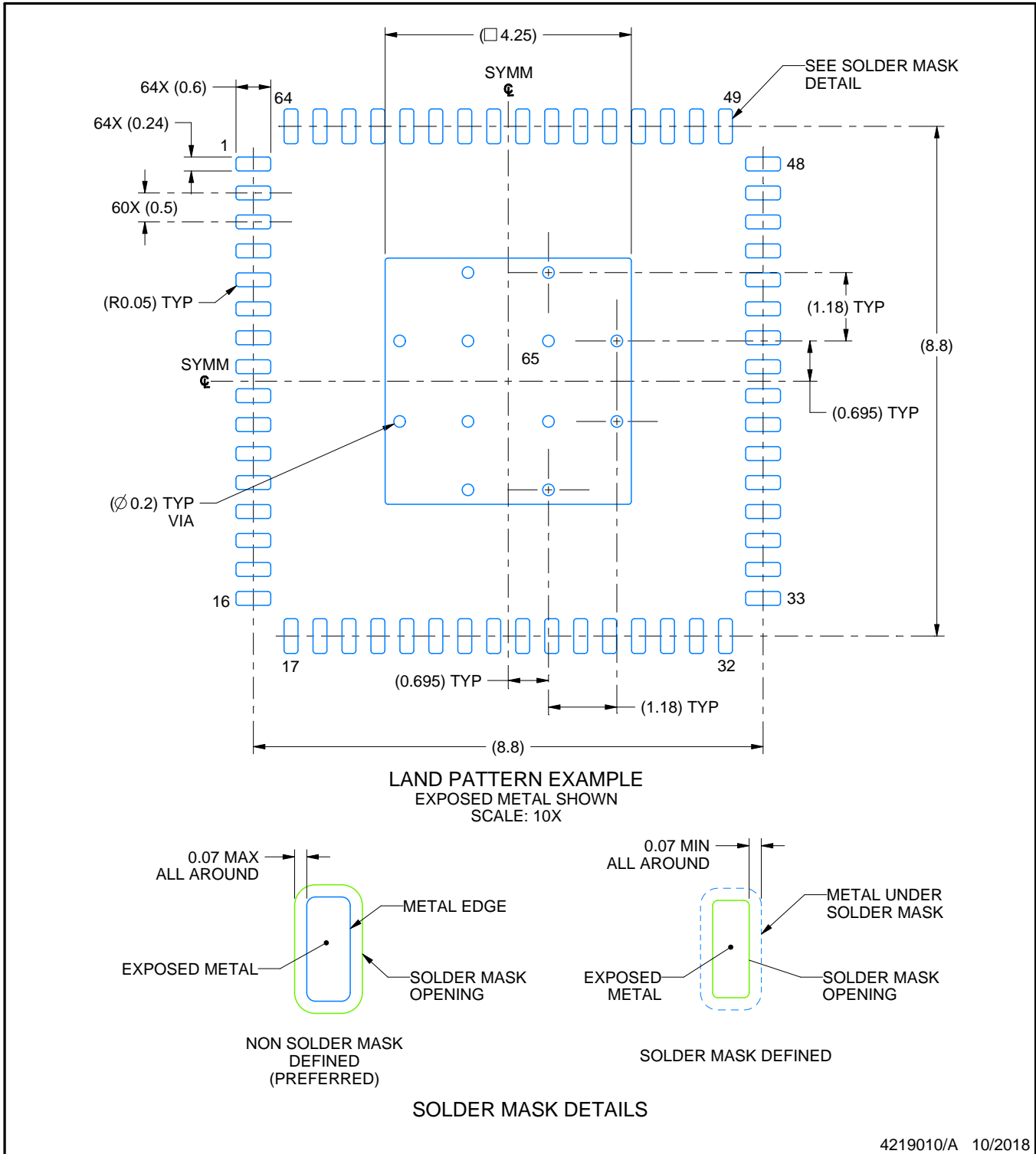
1. All linear dimensions are in millimeters. Any dimensions in parenthesis are for reference only. Dimensioning and tolerancing per ASME Y14.5M.
2. This drawing is subject to change without notice.
3. The package thermal pad must be soldered to the printed circuit board for thermal and mechanical performance.

EXAMPLE BOARD LAYOUT

RGC0064B

VQFN - 1 mm max height

PLASTIC QUAD FLATPACK - NO LEAD



NOTES: (continued)

- This package is designed to be soldered to a thermal pad on the board. For more information, see Texas Instruments literature number SLUA271 (www.ti.com/lit/slua271).
- Vias are optional depending on application, refer to device data sheet. If any vias are implemented, refer to their locations shown on this view. It is recommended that vias under paste be filled, plugged or tented.

EXAMPLE STENCIL DESIGN

RGC0064B

VQFN - 1 mm max height

PLASTIC QUAD FLATPACK - NO LEAD



SOLDER PASTE EXAMPLE
 BASED ON 0.125 MM THICK STENCIL
 SCALE: 10X

EXPOSED PAD 65
 71% PRINTED SOLDER COVERAGE BY AREA UNDER PACKAGE

4219010/A 10/2018

NOTES: (continued)

6. Laser cutting apertures with trapezoidal walls and rounded corners may offer better paste release. IPC-7525 may have alternate design recommendations.

GENERIC PACKAGE VIEW

RGZ 48

VQFN - 1 mm max height

7 x 7, 0.5 mm pitch

PLASTIC QUADFLAT PACK- NO LEAD



Images above are just a representation of the package family, actual package may vary.
Refer to the product data sheet for package details.

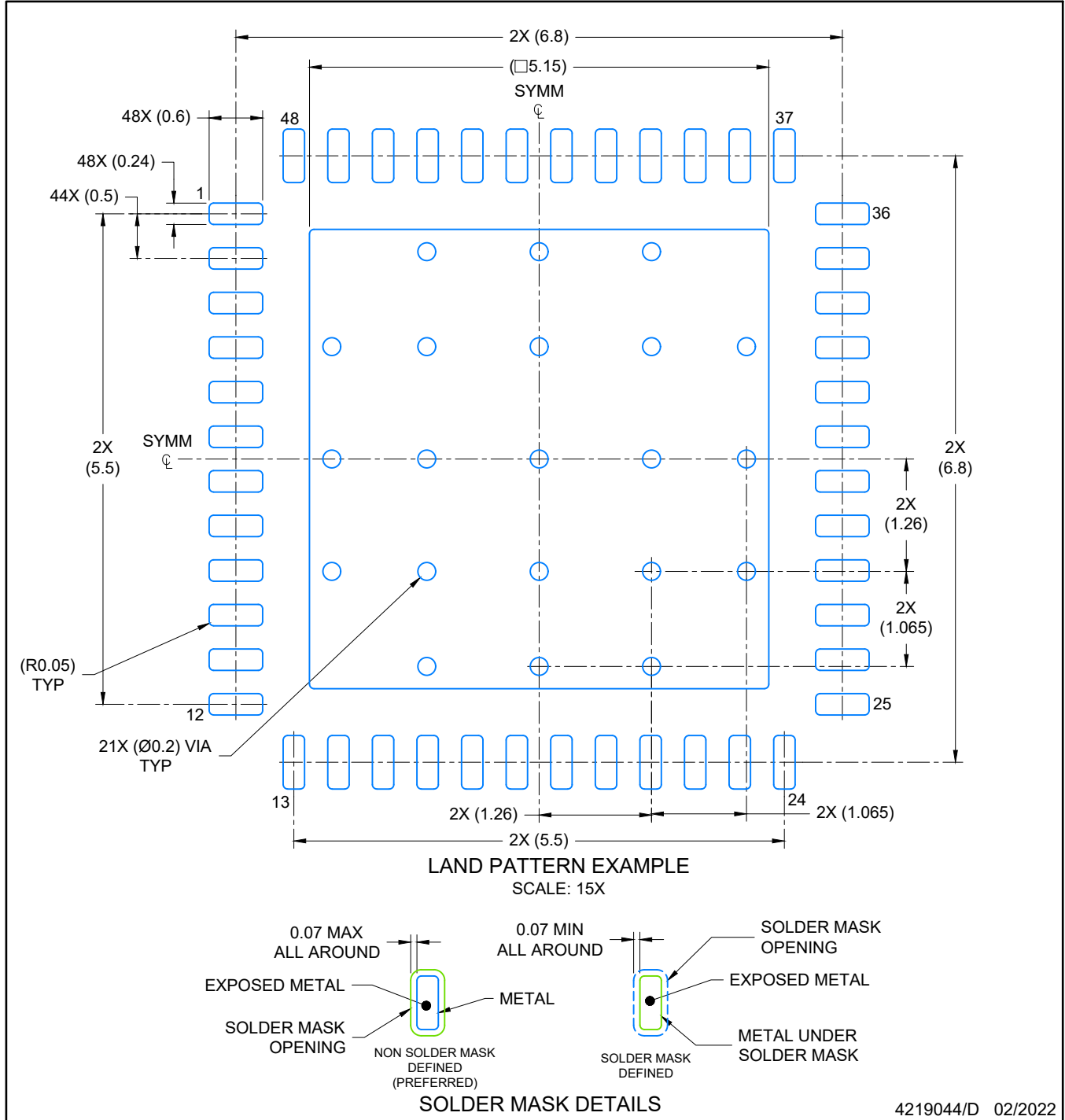
4224671/A



4219044/D 02/2022

NOTES:

1. All linear dimensions are in millimeters. Any dimensions in parenthesis are for reference only. Dimensioning and tolerancing per ASME Y14.5M.
2. This drawing is subject to change without notice.
3. The package thermal pad must be soldered to the printed circuit board for optimal thermal and mechanical performance.



NOTES: (continued)

4. This package is designed to be soldered to a thermal pad on the board. For more information, see Texas Instruments literature number SLUA271 (www.ti.com/lit/slua271).
5. Vias are optional depending on application, refer to device data sheet. If any vias are implemented, refer to their locations shown on this view. It is recommended that vias under paste be filled, plugged or tented.

EXAMPLE STENCIL DESIGN

RGZ0048A

VQFN - 1 mm max height

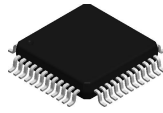
PLASTIC QUADFLAT PACK- NO LEAD



NOTES: (continued)

6. Laser cutting apertures with trapezoidal walls and rounded corners may offer better paste release. IPC-7525 may have alternate design recommendations.

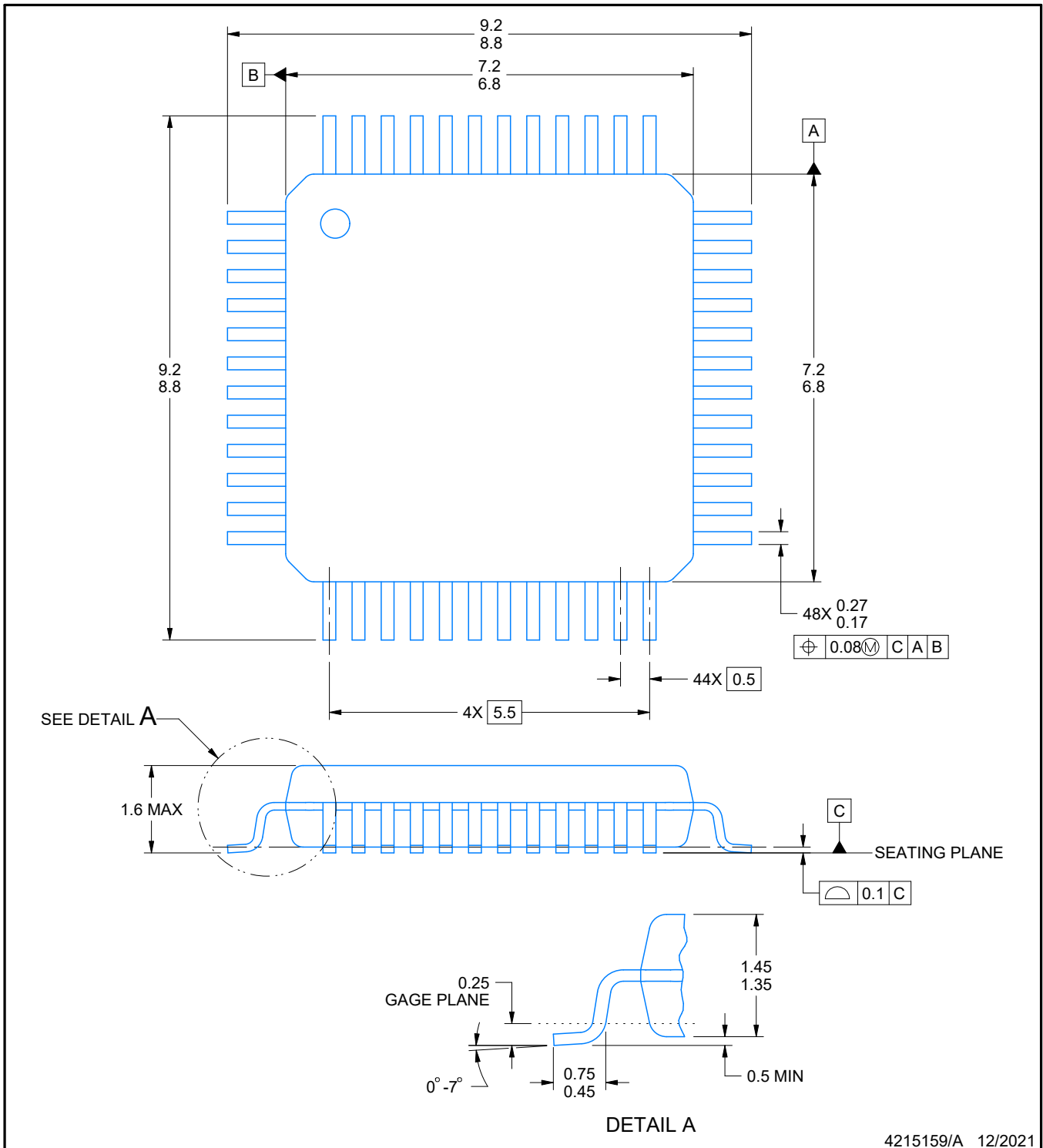
PT0048A



PACKAGE OUTLINE

LQFP - 1.6 mm max height

LOW PROFILE QUAD FLATPACK



4215159/A 12/2021

NOTES:

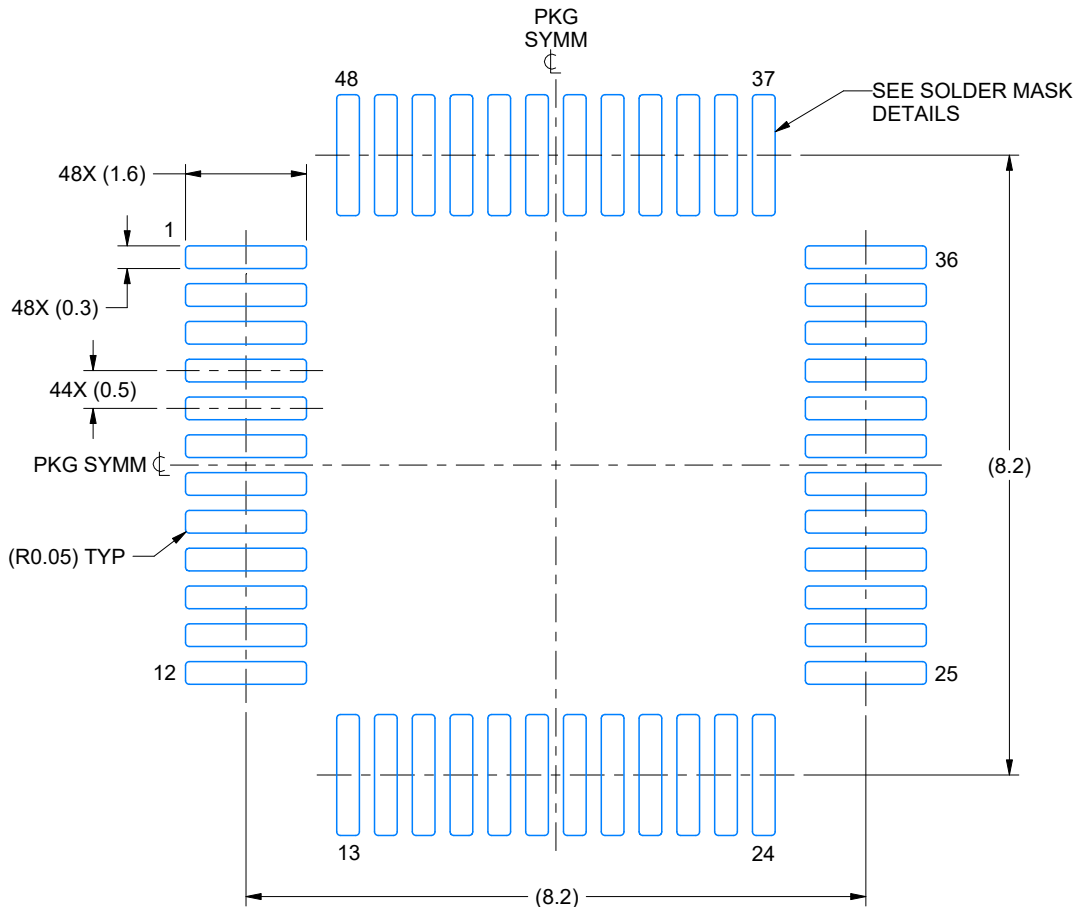
1. All linear dimensions are in millimeters. Any dimensions in parenthesis are for reference only. Dimensioning and tolerancing per ASME Y14.5M.
2. This drawing is subject to change without notice.
3. Reference JEDEC registration MS-026.
4. This may also be a thermally enhanced plastic package with leads connected to the die pads.

EXAMPLE BOARD LAYOUT

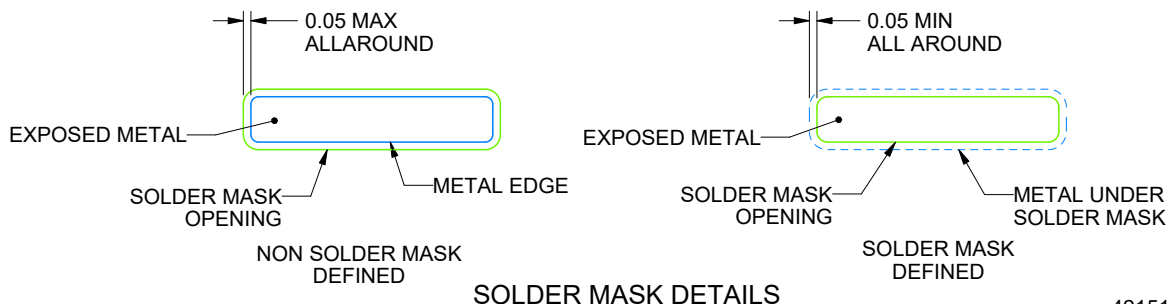
PT0048A

LQFP - 1.6 mm max height

LOW PROFILE QUAD FLATPACK



LAND PATTERN EXAMPLE
EXPOSED METAL SHOWN
SCALE 10.000



SOLDER MASK DETAILS

4215159/A 12/2021

NOTES: (continued)

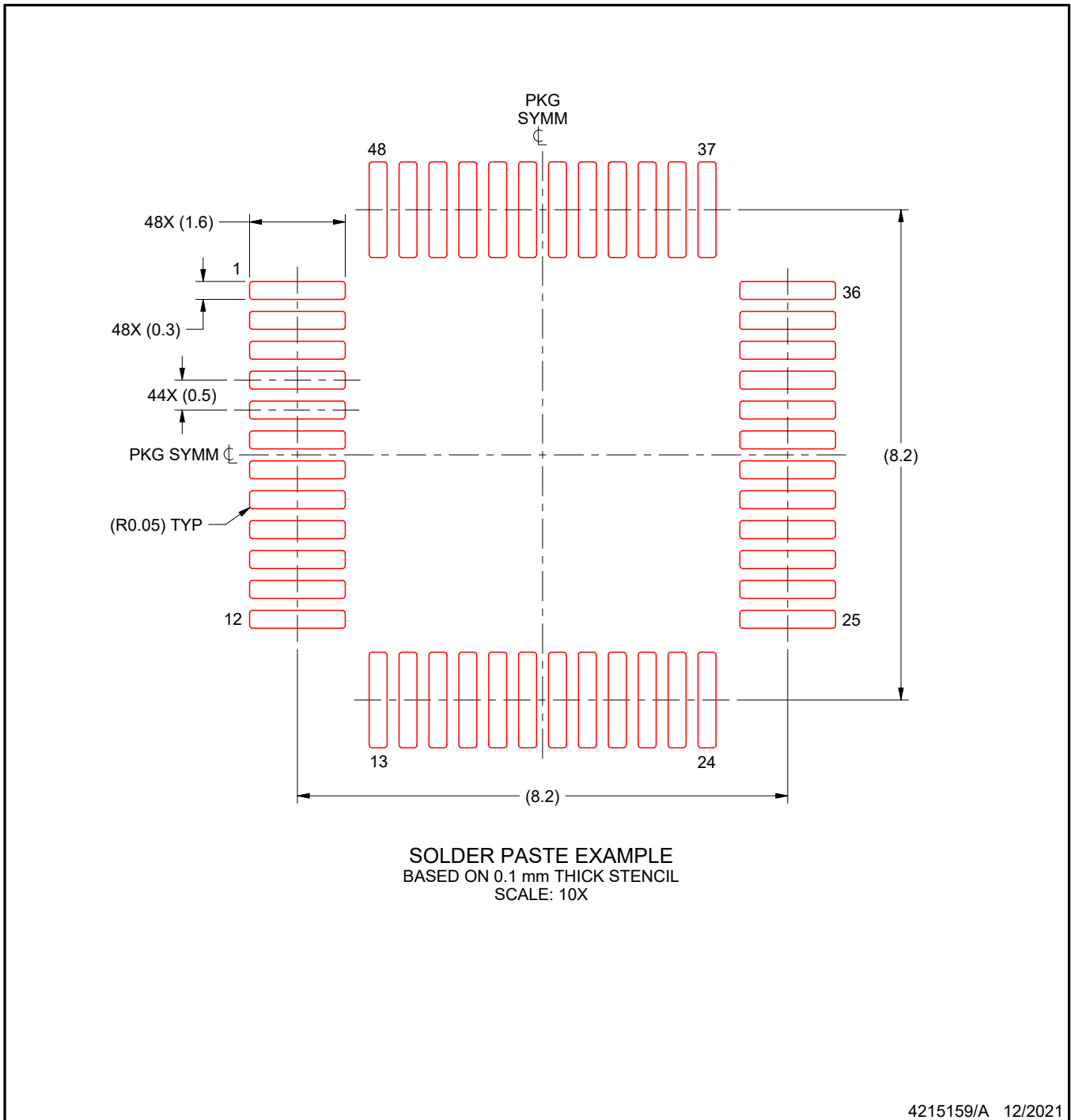
- 5. Publication IPC-7351 may have alternate designs.
- 6. Solder mask tolerances between and around signal pads can vary based on board fabrication site.

EXAMPLE STENCIL DESIGN

PT0048A

LQFP - 1.6 mm max height

LOW PROFILE QUAD FLATPACK



NOTES: (continued)

7. Laser cutting apertures with trapezoidal walls and rounded corners may offer better paste release. IPC-7525 may have alternate design recommendations.
8. Board assembly site may have different recommendations for stencil design.

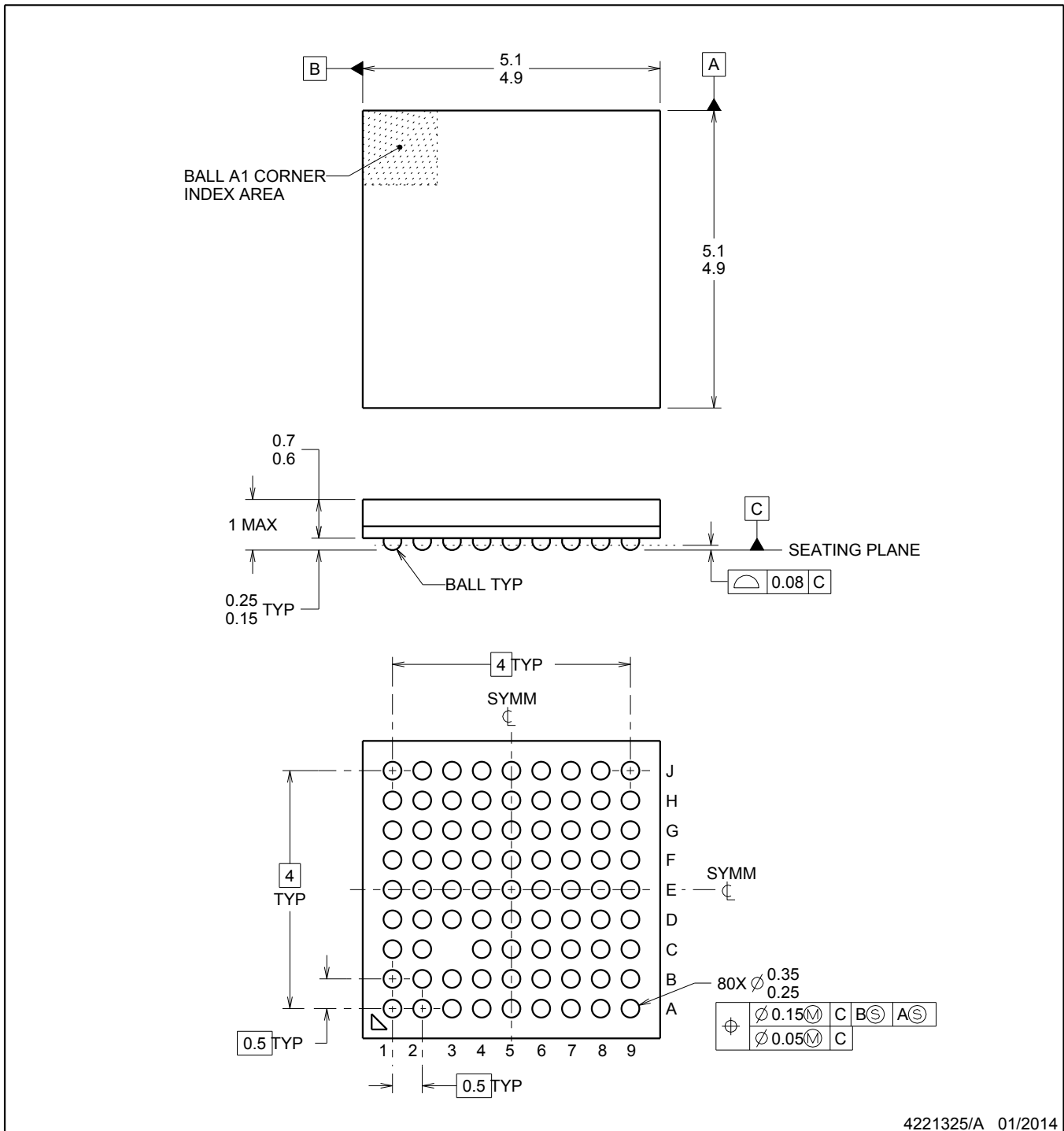


PACKAGE OUTLINE

ZXH0080A

NFBGA - 1 mm max height

BALL GRID ARRAY



4221325/A 01/2014

NOTES:

1. All linear dimensions are in millimeters. Any dimensions in parenthesis is for reference only. Dimensioning and tolerancing per ASME Y14.5M.
2. This drawing is subject to change without notice.
3. This is a Pb-free solder ball design.

EXAMPLE BOARD LAYOUT

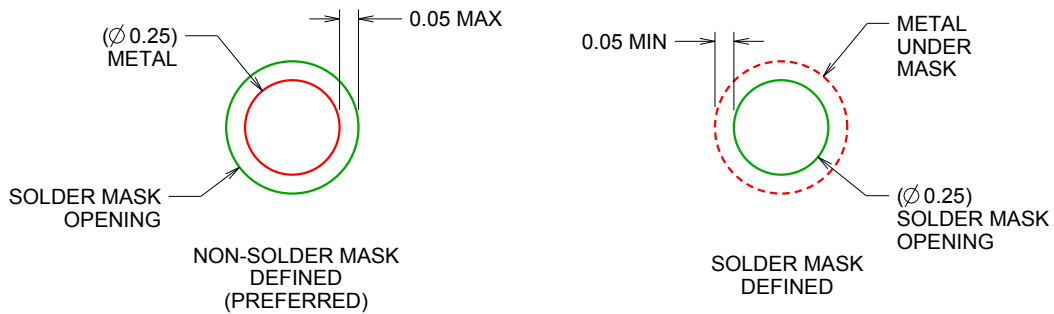
ZXH0080A

NFBGA - 1 mm max height

BALL GRID ARRAY



LAND PATTERN EXAMPLE
SCALE:15X



SOLDER MASK DETAILS
NOT TO SCALE

4221325/A 01/2014

NOTES: (continued)

- Final dimensions may vary due to manufacturing tolerance considerations and also routing constraints. See Texas Instruments Literature No. SBVA017 (www.ti.com/lit/sbva017).

EXAMPLE STENCIL DESIGN

ZXH0080A

NFBGA - 1 mm max height

BALL GRID ARRAY



SOLDER PASTE EXAMPLE
BASED ON 0.1 mm THICK STENCIL
SCALE:20X

4221325/A 01/2014

NOTES: (continued)

4. Laser cutting apertures with trapezoidal walls and rounded corners may offer better paste release.

IMPORTANT NOTICE AND DISCLAIMER

TI PROVIDES TECHNICAL AND RELIABILITY DATA (INCLUDING DATA SHEETS), DESIGN RESOURCES (INCLUDING REFERENCE DESIGNS), APPLICATION OR OTHER DESIGN ADVICE, WEB TOOLS, SAFETY INFORMATION, AND OTHER RESOURCES "AS IS" AND WITH ALL FAULTS, AND DISCLAIMS ALL WARRANTIES, EXPRESS AND IMPLIED, INCLUDING WITHOUT LIMITATION ANY IMPLIED WARRANTIES OF MERCHANTABILITY, FITNESS FOR A PARTICULAR PURPOSE OR NON-INFRINGEMENT OF THIRD PARTY INTELLECTUAL PROPERTY RIGHTS.

These resources are intended for skilled developers designing with TI products. You are solely responsible for (1) selecting the appropriate TI products for your application, (2) designing, validating and testing your application, and (3) ensuring your application meets applicable standards, and any other safety, security, regulatory or other requirements.

These resources are subject to change without notice. TI grants you permission to use these resources only for development of an application that uses the TI products described in the resource. Other reproduction and display of these resources is prohibited. No license is granted to any other TI intellectual property right or to any third party intellectual property right. TI disclaims responsibility for, and you will fully indemnify TI and its representatives against, any claims, damages, costs, losses, and liabilities arising out of your use of these resources.

TI's products are provided subject to [TI's Terms of Sale](#) or other applicable terms available either on ti.com or provided in conjunction with such TI products. TI's provision of these resources does not expand or otherwise alter TI's applicable warranties or warranty disclaimers for TI products.

TI objects to and rejects any additional or different terms you may have proposed.

Mailing Address: Texas Instruments, Post Office Box 655303, Dallas, Texas 75265
Copyright © 2022, Texas Instruments Incorporated