

## CDCLVP1102 Two-LVPECL Output, High-Performance Clock Buffer

### 1 Features

- 1:2 Differential Buffer
- Single Clock Input
- Universal Inputs Can Accept LVPECL, LVDS, LVCMOS/LVTTL
- Two LVPECL Outputs
- Maximum Clock Frequency: 2 GHz
- Maximum Core Current Consumption: 33 mA
- Very Low Additive Jitter: <100 fs, RMS in 10-kHz to 20-MHz Offset Range
- 2.375-V to 3.6-V Device Power Supply
- Maximum Propagation Delay: 450 ps
- Maximum Output Skew: 10 ps
- LVPECL Reference Voltage,  $V_{AC\_REF}$ , Available for Capacitive-Coupled Inputs
- Industrial Temperature Range:  $-40^{\circ}\text{C}$  to  $85^{\circ}\text{C}$
- Supports  $105^{\circ}\text{C}$  PCB Temperature (Measured at Thermal Pad)
- Available in 3-mm x 3-mm QFN-16 (RGT) Package
- ESD Protection Exceeds 2 kV (HBM)

### 2 Applications

- Wireless Communications
- Telecommunications/Networking
- Medical Imaging
- Test and Measurement Equipment

### 3 Description

The CDCLVP1102 is a highly versatile, low additive jitter buffer that can generate two copies of LVPECL clock outputs from one LVPECL, LVDS, or LVCMOS input for a variety of communication applications. It has a maximum clock frequency up to 2 GHz. The overall additive jitter performance is less than 0.1 ps, RMS from 10 kHz to 20 MHz, and overall output skew is as low as 10 ps, making the device a perfect choice for use in demanding applications.

The CDCLVP1102 clock buffer distributes a single clock input (IN) to two pairs of differential LVPECL clock outputs (OUT0, OUT1) with minimum skew for clock distribution. The inputs can be LVPECL, LVDS, or LVCMOS/LVTTL.

The CDCLVP1102 is specifically designed for driving 50- $\Omega$  transmission lines. When driving the inputs in single-ended mode, the LVPECL bias voltage ( $V_{AC\_REF}$ ) should be applied to the unused negative input pin. However, for high-speed performance up to 2 GHz, differential mode is strongly recommended.

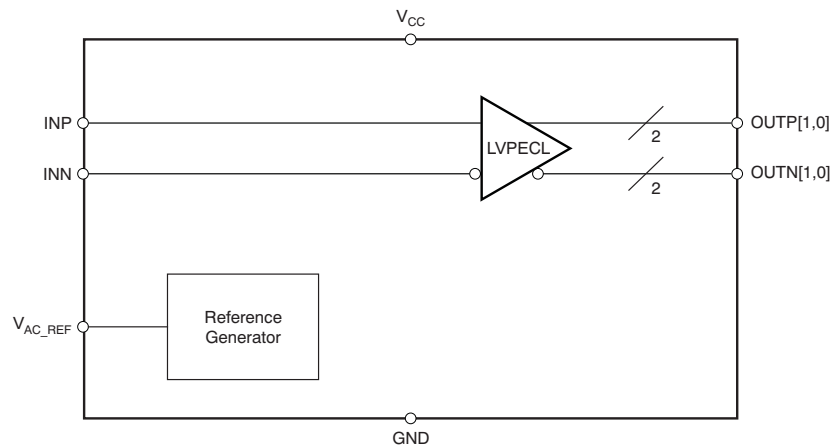
The CDCLVP1102 is characterized for operation from  $-40^{\circ}\text{C}$  to  $85^{\circ}\text{C}$  and is available in a QFN-16, 3-mm x 3-mm package.

#### Device Information<sup>(1)</sup>

PART NUMBER	PACKAGE	BODY SIZE (NOM)
CDCLVP1102	QFN (16)	3.00 mm x 3.00 mm

(1) For all available packages, see the orderable addendum at the end of the data sheet.

#### Simplified Schematic



## Table of Contents

<p><b>1 Features</b> ..... 1</p> <p><b>2 Applications</b> ..... 1</p> <p><b>3 Description</b> ..... 1</p> <p><b>4 Revision History</b> ..... 2</p> <p><b>5 Pin Configuration and Functions</b> ..... 3</p> <p><b>6 Specifications</b> ..... 4</p> <p style="padding-left: 20px;">6.1 Absolute Maximum Ratings ..... 4</p> <p style="padding-left: 20px;">6.2 ESD Ratings ..... 4</p> <p style="padding-left: 20px;">6.3 Recommended Operating Conditions ..... 4</p> <p style="padding-left: 20px;">6.4 Thermal Information ..... 4</p> <p style="padding-left: 20px;">6.5 Electrical Characteristics: LVCMOS Input ..... 5</p> <p style="padding-left: 20px;">6.6 Electrical Characteristics: Differential Input ..... 5</p> <p style="padding-left: 20px;">6.7 Electrical Characteristics: LVPECL Output ..... 6</p> <p style="padding-left: 20px;">6.8 Electrical Characteristics: LVPECL Output ..... 7</p> <p style="padding-left: 20px;">6.9 Typical Characteristics ..... 8</p> <p><b>7 Parameter Measurement Information</b> ..... 9</p> <p style="padding-left: 20px;">7.1 Test Configurations ..... 9</p> <p><b>8 Detailed Description</b> ..... 12</p> <p style="padding-left: 20px;">8.1 Overview ..... 12</p>	<p style="padding-left: 20px;">8.2 Functional Block Diagram ..... 12</p> <p style="padding-left: 20px;">8.3 Feature Description ..... 12</p> <p style="padding-left: 20px;">8.4 Device Functional Modes ..... 12</p> <p><b>9 Application and Implementation</b> ..... 17</p> <p style="padding-left: 20px;">9.1 Application Information ..... 17</p> <p style="padding-left: 20px;">9.2 Typical Application ..... 17</p> <p><b>10 Power Supply Recommendations</b> ..... 19</p> <p><b>11 Layout</b> ..... 20</p> <p style="padding-left: 20px;">11.1 Layout Guidelines ..... 20</p> <p style="padding-left: 20px;">11.2 Layout Example ..... 20</p> <p style="padding-left: 20px;">11.3 Thermal Considerations ..... 20</p> <p><b>12 Device and Documentation Support</b> ..... 21</p> <p style="padding-left: 20px;">12.1 Documentation Support ..... 21</p> <p style="padding-left: 20px;">12.2 Community Resources ..... 21</p> <p style="padding-left: 20px;">12.3 Trademarks ..... 21</p> <p style="padding-left: 20px;">12.4 Electrostatic Discharge Caution ..... 21</p> <p style="padding-left: 20px;">12.5 Glossary ..... 21</p> <p><b>13 Mechanical, Packaging, and Orderable Information</b> ..... 21</p>
--	--

## 4 Revision History

NOTE: Page numbers for previous revisions may differ from page numbers in the current version.

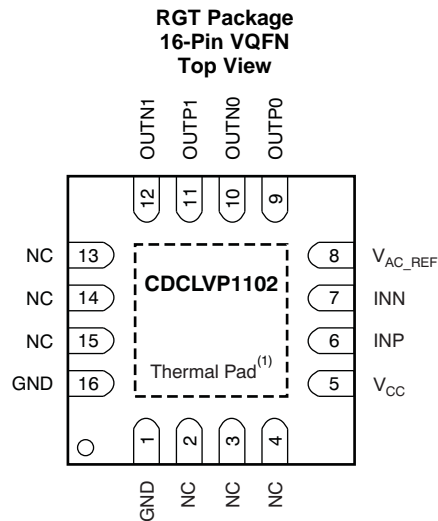
Changes from Revision C (January 2011) to Revision D	Page
• Added support for 105°C thermal pad temperature .....	1
• Added <i>Device Information</i> and <i>Pin Configuration and Functions</i> sections, <i>ESD Rating</i> table, <i>Feature Description</i> , <i>Device Functional Modes</i> , <i>Application and Implementation</i> , <i>Power Supply Recommendations</i> , <i>Layout</i> , <i>Device and Documentation Support</i> , and <i>Mechanical, Packaging, and Orderable Information</i> sections .....	1
• Added $V_{OH}$ specification for $T_{PCB} \leq 105^{\circ}C$ in Electrical Characteristics: LVPECL Output, at $V_{CC} = 2.375\text{ V to }2.625\text{ V}$ .....	6
• Added $V_{OL}$ specification for $T_{PCB} \leq 105^{\circ}C$ in Electrical Characteristics: LVPECL Output, at $V_{CC} = 2.375\text{ V to }2.625\text{ V}$ .....	6
• Added $I_{EE}$ specification for $T_{PCB} \leq 105^{\circ}C$ in Electrical Characteristics: LVPECL Output, at $V_{CC} = 2.375\text{ V to }2.625\text{ V}$ .....	6
• Added $I_{CC}$ specification for $T_{PCB} \leq 105^{\circ}C$ in Electrical Characteristics: LVPECL Output, at $V_{CC} = 2.375\text{ V to }2.625\text{ V}$ .....	6
• Added $V_{OH}$ specification for $T_{PCB} \leq 105^{\circ}C$ in Electrical Characteristics: LVPECL Output, at $V_{CC} = 3\text{ V to }3.6\text{ V}$ .....	7
• Added $V_{OL}$ specification for $T_{PCB} \leq 105^{\circ}C$ in Electrical Characteristics: LVPECL Output, at $V_{CC} = 3\text{ V to }3.6\text{ V}$ .....	7
• Added $I_{EE}$ specification for $T_{PCB} \leq 105^{\circ}C$ in Electrical Characteristics: LVPECL Output, at $V_{CC} = 3\text{ V to }3.6\text{ V}$ .....	7
• Added $I_{CC}$ specification for $T_{PCB} \leq 105^{\circ}C$ in Electrical Characteristics: LVPECL Output, at $V_{CC} = 3\text{ V to }3.6\text{ V}$ .....	7

Changes from Revision B (May 2010) to Revision C	Page
• Revised description of pin 8 .....	3
• Corrected $V_{IL}$ parameter description in <i>Electrical Characteristics</i> table for LVCMOS inputs .....	5
• Added footnote (2) to <i>Electrical Characteristics</i> table for LVPECL Output, $V_{CC} = 2.375\text{ V to }2.625\text{ V}$ .....	6
• Changed recommended resistor values in <a href="#">Figure 12(a)</a> .....	13
• Changed resistor values in <a href="#">Figure 16</a> .....	15
• Changed resistor values in <a href="#">Figure 17</a> .....	15

**Changes from Revision A (October 2009) to Revision B****Page**

- 
- Changed description of OUTN1 and OUTN0 pins in *Pin Functions* table..... **3**
-

## 5 Pin Configuration and Functions



(1) Thermal pad must be soldered to ground.

### Pin Functions

PIN		TYPE	DESCRIPTION
NAME	NUMBER		
GND	1, 16	Ground	Device ground
INP, INN	6, 7	Input	Differential input pair or single-ended input
OUTP1, OUTN1	11, 12	Output	Differential LVPECL output pair no. 1. Unused output pair can be left floating.
OUTP0, OUTN0	9, 10	Output	Differential LVPECL output pair no. 0. Unused output pair can be left floating.
$V_{AC\_REF}$	8	Output	Bias voltage output for capacitive-coupled input pair no. 0. Do not use $V_{AC\_REF}$ at $V_{CC} < 3.0$ V. If used, it is recommended to use a 0.1- $\mu$ F capacitor to GND on this pin. The output current is limited to 2 mA.
$V_{CC}$	5	Power	2.5-V/3.3-V supply for the device
NC	2, 3, 4, 13, 14, 15	—	Do not connect

## 6 Specifications

### 6.1 Absolute Maximum Ratings

over operating free-air temperature range (unless otherwise noted)<sup>(1)</sup>

		MIN	MAX	UNIT
V <sub>CC</sub>	Supply voltage range <sup>(2)</sup>	-0.5	4.6	V
V <sub>IN</sub>	Input voltage range <sup>(3)</sup>	-0.5	V <sub>CC</sub> + 0.5	V
V <sub>OUT</sub>	Output voltage range <sup>(3)</sup>	-0.5	V <sub>CC</sub> + 0.5	V
I <sub>IN</sub>	Input current		20	mA
I <sub>OUT</sub>	Output current		50	mA
T <sub>A</sub>	Specified free-air temperature (no airflow)	-40	85	°C
T <sub>J</sub>	Maximum junction temperature		125	°C
T <sub>stg</sub>	Storage temperature	-65	150	°C

- (1) Stresses beyond those listed under *Absolute Maximum Ratings* may cause permanent damage to the device. These are stress ratings only, which do not imply functional operation of the device at these or any other conditions beyond those indicated under *Recommended Operating Conditions*. Exposure to absolute-maximum-rated conditions for extended periods may affect device reliability.
- (2) All supply voltages must be supplied simultaneously.
- (3) The input and output negative voltage ratings may be exceeded if the input and output clamp-current ratings are observed.

### 6.2 ESD Ratings

		VALUE	UNIT
V <sub>(ESD)</sub>	Electrostatic discharge Human-body model (HBM), per ANSI/ESDA/JEDEC JS-001 <sup>(1)</sup>	±2000	V

- (1) JEDEC document JEP155 states that 500-V HBM allows safe manufacturing with a standard ESD control process.

### 6.3 Recommended Operating Conditions

over operating free-air temperature range (unless otherwise noted)

		MIN	NOM	MAX	UNIT
V <sub>CC</sub>	Supply voltage	2.375	2.50/3.30	3.60	V
T <sub>A</sub>	Ambient temperature	-40		85	°C
T <sub>PCB</sub>	PCB temperature (measured at thermal pad)			105	°C

### 6.4 Thermal Information

THERMAL METRIC <sup>(1)(2)(3)</sup>		CDCLVP1102		UNIT
		RGT (VQFN)		
		16 PINS		
R <sub>θJA</sub>	Junction-to-ambient thermal resistance	0 LFM <sup>(4)</sup>	51.8	°C/W
		150 LFM <sup>(4)</sup>	45	
		400 LFM <sup>(4)</sup>	40.8	
R <sub>θJC(top)</sub>	Junction-to-case (top) thermal resistance		61.3	°C/W
R <sub>θJB</sub> <sup>(5)</sup>	Junction-to-board thermal resistance		21.7	°C/W
ψ <sub>JT</sub>	Junction-to-top characterization parameter		1.5	°C/W
ψ <sub>JB</sub>	Junction-to-board characterization parameter		21.7	°C/W
R <sub>θJC(bottom)</sub>	Junction-to-case (bottom) thermal resistance		6.3	°C/W

- (1) For more information about traditional and new thermal metrics, see the *Semiconductor and IC Package Thermal Metrics* application report ([SPRA953](#)).
- (2) The package thermal resistance is calculated in accordance with JESD 51 and JEDEC 2S2P (high-K board).
- (3) Connected to GND with four thermal vias (0.3-mm diameter).
- (4) 2 x 2 vias on Pad
- (5) θ<sub>JP</sub> (junction-to-pad) is used for the QFN package, because the primary heat flow is from the junction to the GND pad of the QFN package.

## 6.5 Electrical Characteristics: LVCMOS Input

 at  $V_{CC} = 2.375\text{ V to }3.6\text{ V}$  and  $T_A = -40^\circ\text{C to }85^\circ\text{C}$  and  $T_{PCB} \leq 105^\circ\text{C}$  (unless otherwise noted)<sup>(1)</sup>

PARAMETER	TEST CONDITIONS	MIN	TYP	MAX	UNIT
$f_{IN}$	Input frequency			200	MHz
$V_{th}$	Input threshold voltage	External threshold voltage applied to complementary input		1.8	V
$V_{IH}$	Input high voltage	$V_{th} + 0.1$		$V_{CC}$	V
$V_{IL}$	Input low voltage	0	$V_{th} - 0.1$		V
$I_{IH}$	Input high current	$V_{CC} = 3.6\text{ V}, V_{IH} = 3.6\text{ V}$		40	$\mu\text{A}$
$I_{IL}$	Input low current	$V_{CC} = 3.6\text{ V}, V_{IL} = 0\text{ V}$		-40	$\mu\text{A}$
$\Delta V/\Delta T$	Input edge rate	20% to 80%		1.5	V/ns
$I_{CAP}$	Input capacitance		5		pF

 (1) [Figure 3](#) and [Figure 4](#) show DC test setup.

## 6.6 Electrical Characteristics: Differential Input

 at  $V_{CC} = 2.375\text{ V to }3.6\text{ V}$  and  $T_A = -40^\circ\text{C to }85^\circ\text{C}$  and  $T_{PCB} \leq 105^\circ\text{C}$  (unless otherwise noted)<sup>(1)</sup>

PARAMETER	TEST CONDITIONS	MIN	TYP	MAX	UNIT
$f_{IN}$	Input frequency	Clock input		2000	MHz
$V_{IN, DIFF, PP}$	Differential input peak-peak voltage	$f_{IN} \leq 1.5\text{ GHz}$		1.5	V
		$1.5\text{ GHz} \leq f_{IN} \leq 2\text{ GHz}$		1.5	V
$V_{ICM}$	Input common-mode level	1	$V_{CC} - 0.3$		V
$I_{IH}$	Input high current	$V_{CC} = 3.6\text{ V}, V_{IH} = 3.6\text{ V}$		40	$\mu\text{A}$
$I_{IL}$	Input low current	$V_{CC} = 3.6\text{ V}, V_{IL} = 0\text{ V}$		-40	$\mu\text{A}$
$\Delta V/\Delta T$	Input edge rate	20% to 80%		1.5	V/ns
$I_{CAP}$	Input capacitance		5		pF

 (1) [Figure 5](#) and [Figure 6](#) show DC test setup. [Figure 7](#) shows AC test setup.

## 6.7 Electrical Characteristics: LVPECL Output

at  $V_{CC} = 2.375\text{ V}$  to  $2.625\text{ V}$  and  $T_A = -40^\circ\text{C}$  to  $85^\circ\text{C}$  and  $T_{PCB} \leq 105^\circ\text{C}$  (unless otherwise noted)<sup>(1)</sup>

PARAMETER		TEST CONDITIONS	MIN	TYP	MAX	UNIT
$V_{OH}$	Output high voltage	$T_A \leq 85^\circ\text{C}$	$V_{CC} - 1.26$		$V_{CC} - 0.9$	V
		$T_{PCB} \leq 105^\circ\text{C}$	$V_{CC} - 1.26$		$V_{CC} - 0.83$	V
$V_{OL}$	Output low voltage	$T_A \leq 85^\circ\text{C}$	$V_{CC} - 1.7$		$V_{CC} - 1.3$	V
		$T_{PCB} \leq 105^\circ\text{C}$	$V_{CC} - 1.7$		$V_{CC} - 1.25$	V
$V_{OUT, DIFF, PP}$	Differential output peak-peak voltage	$f_{IN} \leq 2\text{ GHz}$	0.5		1.35	V
$V_{AC, REF}$	Input bias voltage <sup>(2)</sup>	$I_{AC, REF} = 2\text{ mA}$	$V_{CC} - 1.6$		$V_{CC} - 1.1$	V
$t_{PD}$	Propagation delay	$V_{IN, DIFF, PP} = 0.1\text{ V}$			450	ps
		$V_{IN, DIFF, PP} = 0.3\text{ V}$			450	ps
$t_{SK, PP}$	Part-to-part skew				100	ps
$t_{SK, O}$	Output skew				10	ps
$t_{SK, P}$	Pulse skew (with 50% duty cycle input)	Crossing-point-to-crossing-point distortion, $f_{OUT} = 100\text{ MHz}$	-50		50	ps
$t_{RJIT}$	Random additive jitter (with 50% duty cycle input)	$f_{OUT} = 100\text{ MHz}$ , $V_{IN, SE} = V_{CC}$ , $V_{th} = 1.25\text{ V}$ , 10 kHz to 20 MHz		0.089		ps, RMS
		$f_{OUT} = 100\text{ MHz}$ , $V_{IN, SE} = 0.9\text{ V}$ , $V_{th} = 1.1\text{ V}$ , 10 kHz to 20 MHz		0.093		ps, RMS
		$f_{OUT} = 2\text{ GHz}$ , $V_{IN, DIFF, PP} = 0.2\text{ V}$ , $V_{ICM} = 1\text{ V}$ , 10 kHz to 20 MHz		0.037		ps, RMS
		$f_{OUT} = 100\text{ MHz}$ , $V_{IN, DIFF, PP} = 0.15\text{ V}$ , $V_{ICM} = 1\text{ V}$ , 10 kHz to 20 MHz		0.094		ps, RMS
		$f_{OUT} = 100\text{ MHz}$ , $V_{IN, DIFF, PP} = 1\text{ V}$ , $V_{ICM} = 1\text{ V}$ , 10 kHz to 20 MHz		0.091		ps, RMS
$t_R/t_F$	Output rise/fall time	20% to 80%			200	ps
$I_{EE}$	Supply internal current	Outputs unterminated, $T_A \leq 85^\circ\text{C}$			33	mA
		Outputs unterminated, $T_{PCB} \leq 105^\circ\text{C}$			34	mA
$I_{CC}$	Output and internal supply current	All outputs terminated, 50 $\Omega$ to $V_{CC} - 2$ , $T_A \leq 85^\circ\text{C}$			100	mA
		All outputs terminated, 50 $\Omega$ to $V_{CC} - 2$ , $T_{PCB} \leq 105^\circ\text{C}$			105	mA

(1) [Figure 8](#) and [Figure 9](#) show DC and AC test setup.

(2) Internally generated bias voltage ( $V_{AC, REF}$ ) is for 3.3-V operation only. It is recommended to apply externally generated bias voltage for  $V_{CC} < 3.0\text{ V}$ .

## 6.8 Electrical Characteristics: LVPECL Output

 at  $V_{CC} = 3.0\text{ V to }3.6\text{ V}$  and  $T_A = -40^\circ\text{C to }85^\circ\text{C}$  and  $T_{PCB} \leq 105^\circ\text{C}$  (unless otherwise noted)<sup>(1)</sup>

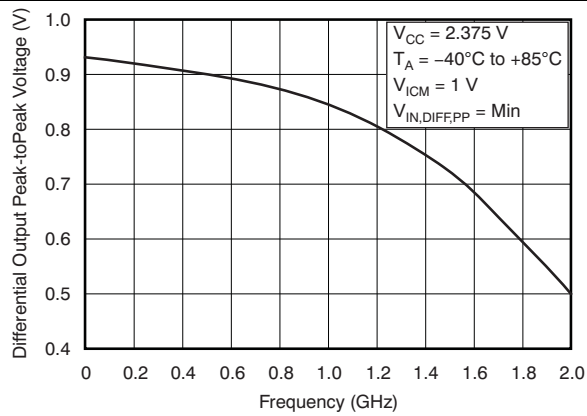
PARAMETER		TEST CONDITIONS	MIN	TYP	MAX	UNIT
$V_{OH}$	Output high voltage	$T_A \leq 85^\circ\text{C}$	$V_{CC} - 1.26$	$V_{CC} - 0.9$		V
		$T_{PCB} \leq 105^\circ\text{C}$	$V_{CC} - 1.26$	$V_{CC} - 0.85$		V
$V_{OL}$	Output low voltage	$T_A \leq 85^\circ\text{C}$	$V_{CC} - 1.7$	$V_{CC} - 1.3$		V
		$T_{PCB} \leq 105^\circ\text{C}$	$V_{CC} - 1.7$	$V_{CC} - 1.3$		V
$V_{OUT, DIFF, PP}$	Differential output peak-peak voltage	$f_{IN} \leq 2\text{ GHz}$	0.65		1.35	V
$V_{AC, REF}$	Input bias voltage	$I_{AC, REF} = 2\text{ mA}$	$V_{CC} - 1.6$		$V_{CC} - 1.1$	V
$t_{PD}$	Propagation delay	$V_{IN, DIFF, PP} = 0.1\text{ V}$			450	ps
		$V_{IN, DIFF, PP} = 0.3\text{ V}$			450	ps
$t_{SK, PP}$	Part-to-part skew				100	ps
$t_{SK, O}$	Output skew				10	ps
$t_{SK, P}$	Pulse skew (with 50% duty cycle input)	Crossing-point-to-crossing-point distortion, $f_{OUT} = 100\text{ MHz}$	-50		50	ps
$t_{RJIT}$	Random additive jitter (with 50% duty cycle input)	$f_{OUT} = 100\text{ MHz}, V_{IN, SE} = V_{CC}, V_{th} = 1.65\text{ V}, 10\text{ kHz to }20\text{ MHz}$		0.081		ps, RMS
		$f_{OUT} = 100\text{ MHz}, V_{IN, SE} = 0.9\text{ V}, V_{th} = 1.1\text{ V}, 10\text{ kHz to }20\text{ MHz}$		0.097		
		$f_{OUT} = 2\text{ GHz}, V_{IN, DIFF, PP} = 0.2\text{ V}, V_{ICM} = 1\text{ V}, 10\text{ kHz to }20\text{ MHz}$		0.050		
		$f_{OUT} = 100\text{ MHz}, V_{IN, DIFF, PP} = 0.15\text{ V}, V_{ICM} = 1\text{ V}, 10\text{ kHz to }20\text{ MHz}$		0.098		
		$f_{OUT} = 100\text{ MHz}, V_{IN, DIFF, PP} = 1\text{ V}, V_{ICM} = 1\text{ V}, 10\text{ kHz to }20\text{ MHz}$		0.095		
$t_R/t_F$	Output rise/fall time	20% to 80%			200	ps
$I_{EE}$	Supply internal current	Outputs unterminated, $T_A \leq 85^\circ\text{C}$			33	mA
		Outputs unterminated, $T_{PCB} \leq 105^\circ\text{C}$			34	mA
$I_{CC}$	Output and internal supply current	All outputs terminated, $50\ \Omega$ to $V_{CC} - 2$ , $T_A \leq 85^\circ\text{C}$			100	mA
		All outputs terminated, $50\ \Omega$ to $V_{CC} - 2$ , $T_{PCB} \leq 105^\circ\text{C}$			105	mA

 (1) [Figure 8](#) and [Figure 9](#) show DC and AC test setup.

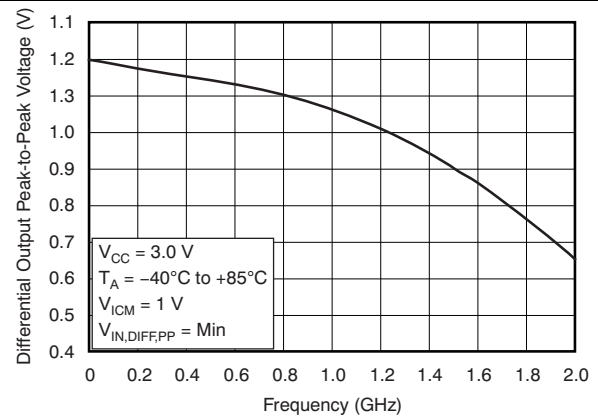


## 6.9 Typical Characteristics

at  $T_A = -40^\circ\text{C}$  to  $85^\circ\text{C}$  (unless otherwise noted)



**Figure 1. Differential Output Peak-To-Peak Voltage vs Frequency**



**Figure 2. Differential Output Peak-To-Peak Voltage vs Frequency**

## 7 Parameter Measurement Information

### 7.1 Test Configurations

This section describes the function of each block for the CDCLVP1102. Figure 3 through Figure 9 illustrate how the device should be setup for a variety of test configurations.

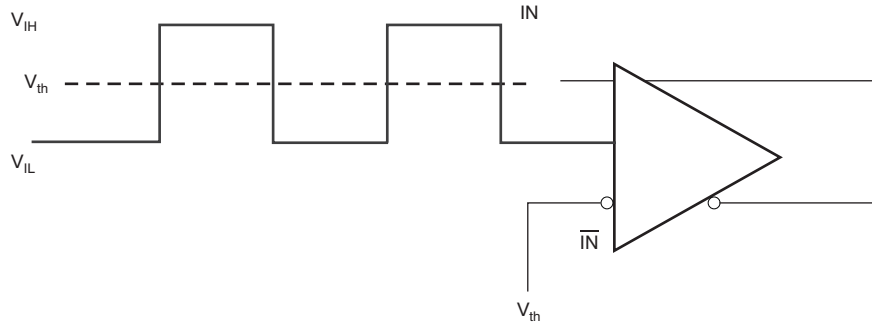


Figure 3. DC-Coupled LVCMOS Input During Device Test

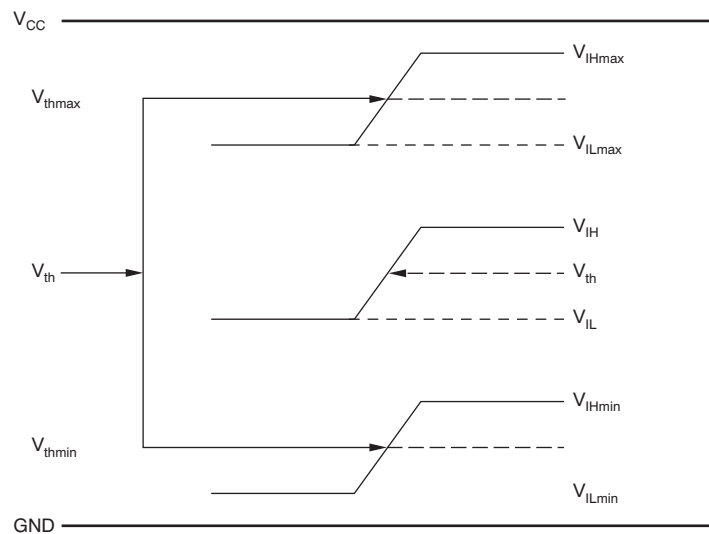


Figure 4.  $V_{th}$  Variation Over LVCMOS Levels

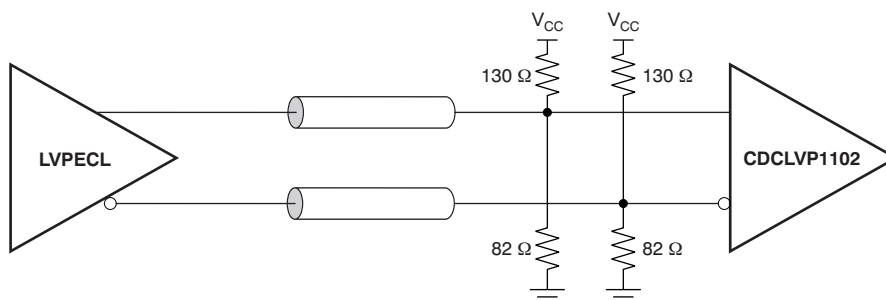


Figure 5. DC-Coupled LVPECL Input During Device Test

Test Configurations (continued)

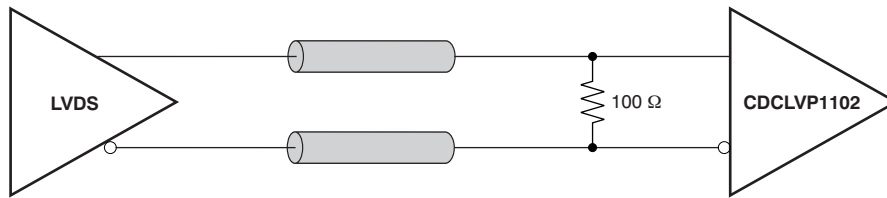


Figure 6. DC-Coupled LVDS Input During Device Test

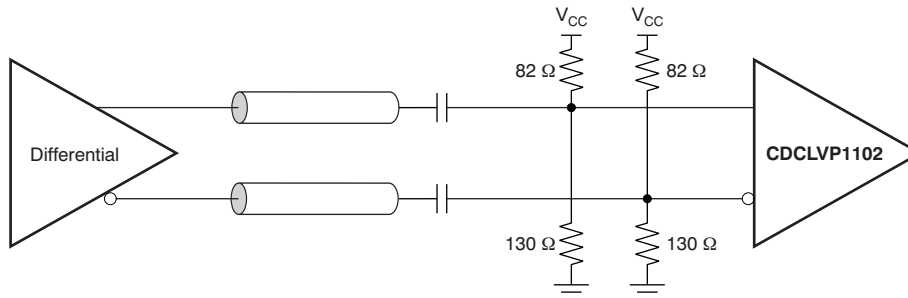


Figure 7. AC-Coupled Differential Input to Device

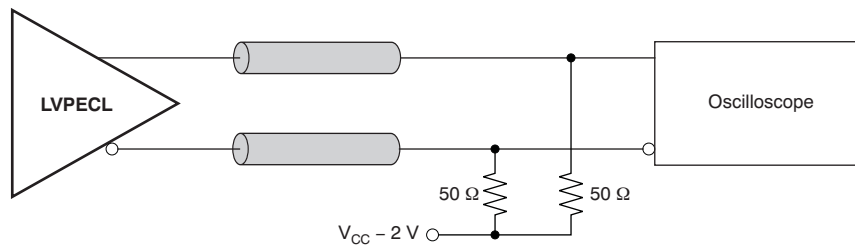


Figure 8. LVPECL Output DC Configuration During Device Test

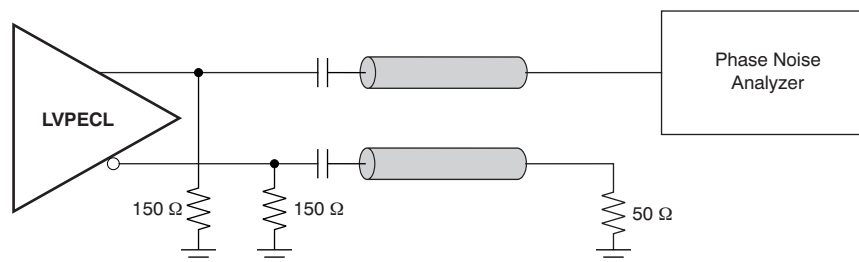
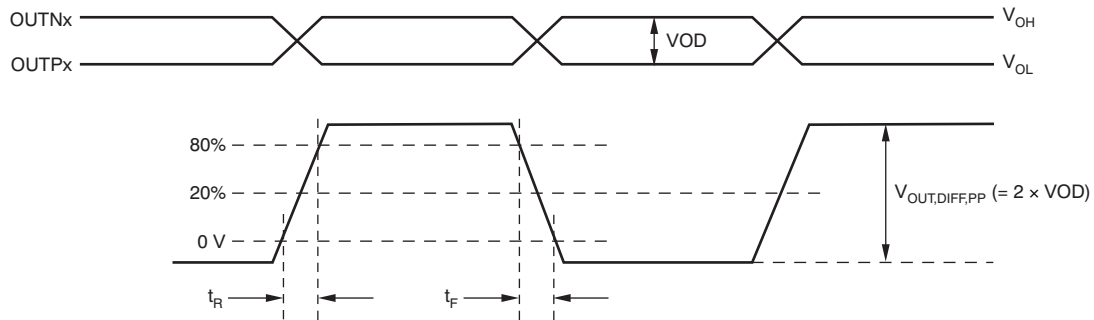


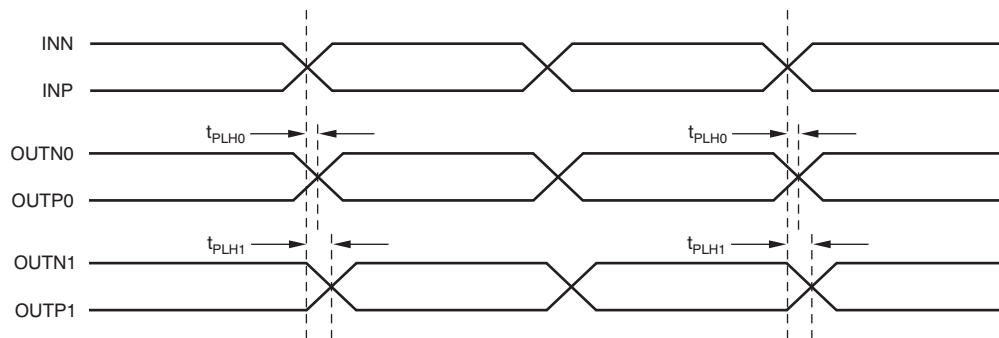
Figure 9. LVPECL Output AC Configuration During Device Test

**Test Configurations (continued)**

Figure 10 shows the output voltage and rise/fall time. Output and part-to-part skew are shown in Figure 11.



**Figure 10. Output Voltage and Rise/Fall Time**



- (1) Output skew is calculated as the greater of the following: As the difference between the fastest and the slowest  $t_{PLHn}$  ( $n = 0, 1$ ), or as the difference between the fastest and the slowest  $t_{PHLn}$  ( $n = 0, 1$ ).
- (2) Part-to-part skew is calculated as the greater of the following: As the difference between the fastest and the slowest  $t_{PLHn}$  ( $n = 0, 1$ ) across multiple devices, or the difference between the fastest and the slowest  $t_{PHLn}$  ( $n = 0, 1$ ) across multiple devices.

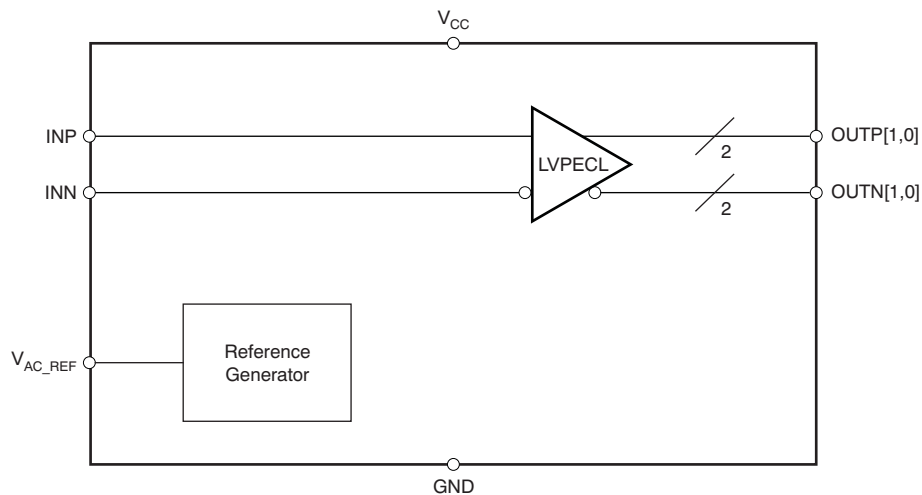
**Figure 11. Output and Part-to-Part Skew**

## 8 Detailed Description

### 8.1 Overview

The CDCLVP1102 is an open emitter for LVPECL outputs. Therefore, proper biasing and termination are required to ensure correct operation of the device and to minimize signal integrity. The proper termination for LVPECL outputs is  $50\ \Omega$  to  $(V_{CC} - 2)$  V, but this DC voltage is not readily available on PCB. Therefore, a Thevenin equivalent circuit is worked out for the LVPECL termination in both direct-coupled (DC) and AC coupled configurations. These configurations are shown in [Figure 12](#) for  $V_{CC} = 2.5$  V and [Figure 13](#) for  $V_{CC} = 3.3$  V, respectively. It is recommended to place all resistive components close to either the driver end or the receiver end. If the supply voltage for the driver and receiver is different, AC coupling is required.

### 8.2 Functional Block Diagram

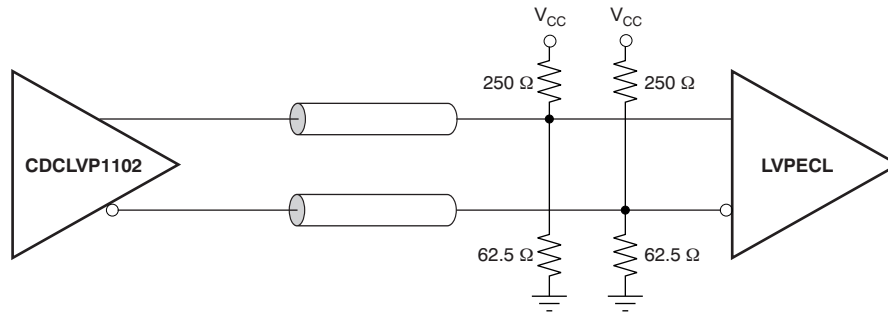
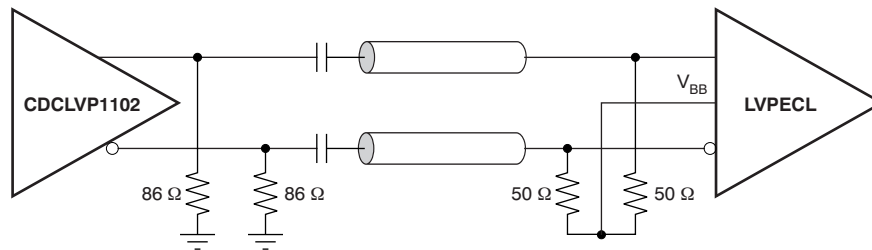


### 8.3 Feature Description

The CDCLVP1102 is a low additive jitter universal to LVPECL fan out buffer with 2 outputs and 1 input. The small package, low output skew, and low additive jitter make for a flexible device in demanding applications.

### 8.4 Device Functional Modes

The CDCLVP1102 is an open emitter for LVPECL outputs. Therefore, proper biasing and termination are required to ensure correct operation of the device and to minimize signal integrity. The proper termination for LVPECL outputs is  $50\ \Omega$  to  $(V_{CC} - 2)$  V, but this dc voltage is not readily available on PCB. Therefore, a Thevenin equivalent circuit is worked out for the LVPECL termination in both direct-coupled (DC) and AC-coupled configurations. These configurations are shown in [Figure 12a](#) and [b](#) for  $V_{CC} = 2.5$  V and [Figure 13a](#) and [b](#) for  $V_{CC} = 3.3$  V, respectively. It is recommended to place all resistive components close to either the driver end or the receiver end. If the supply voltage for the driver and receiver is different, ac coupling is required.

**Device Functional Modes (continued)**
**8.4.1 LVPECL Output Termination**

**(a) Output DC Termination**

**(b) Output AC Termination**
**Figure 12. LVPECL Output DC and AC Termination for  $V_{CC} = 2.5\text{ V}$**

Device Functional Modes (continued)

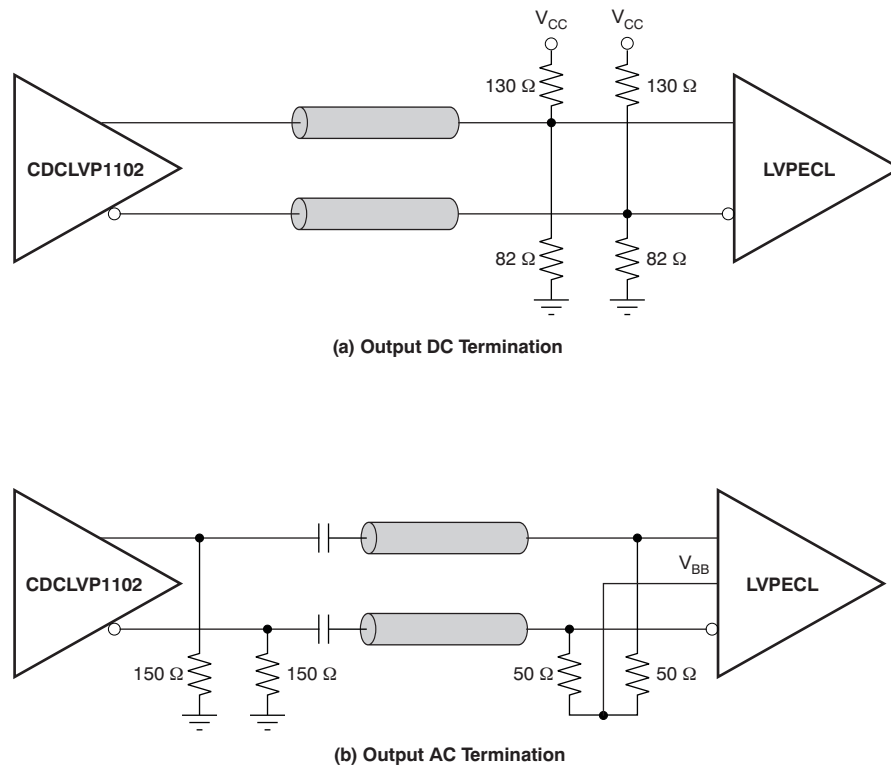


Figure 13. LVPECL Output DC and AC Termination for  $V_{CC} = 3.3\text{ V}$

8.4.2 Input Termination

The CDCLVP1102 inputs can be interfaced with LVPECL, LVDS, or LVCMOS drivers. Figure 14 illustrates how to dc couple an LVCMOS input to the CDCLVP1102. The series resistance ( $R_S$ ) should be placed close to the LVCMOS driver; its value is calculated as the difference between the transmission line impedance and the driver output impedance.

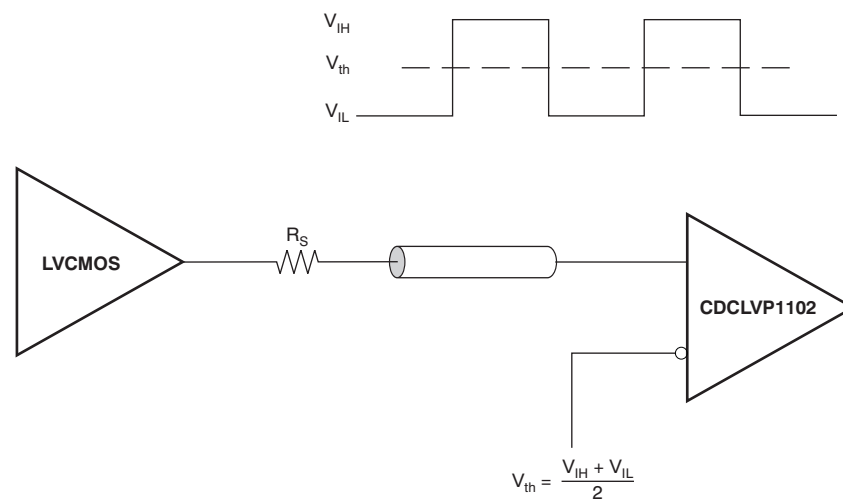


Figure 14. DC-Coupled LVCMOS Input to CDCLVP1102

Figure 15 shows how to dc couple LVDS inputs to the CDCLVP1102. Figure 16 and Figure 17 describe the method of dc coupling LVPECL inputs to the CDCLVP1102 for  $V_{CC} = 2.5\text{ V}$  and  $V_{CC} = 3.3\text{ V}$ , respectively.

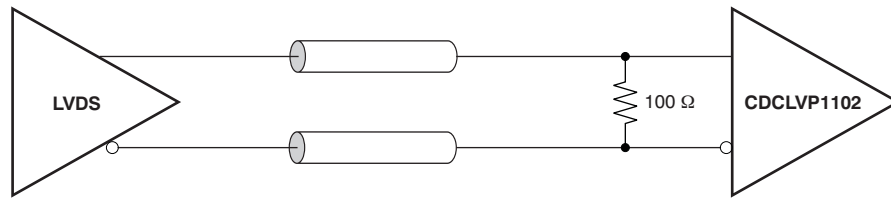
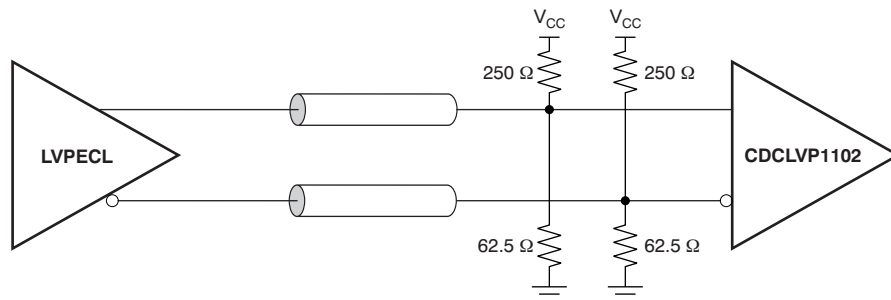
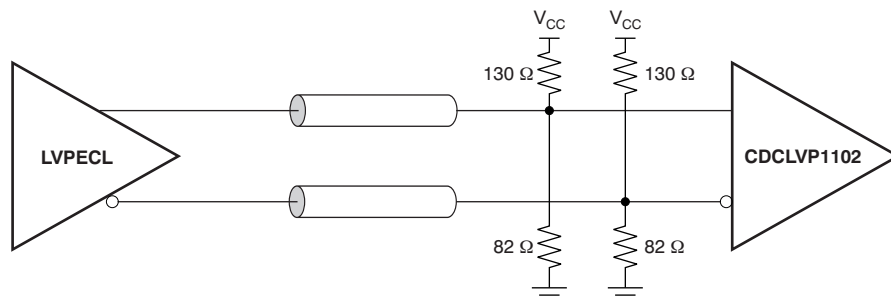
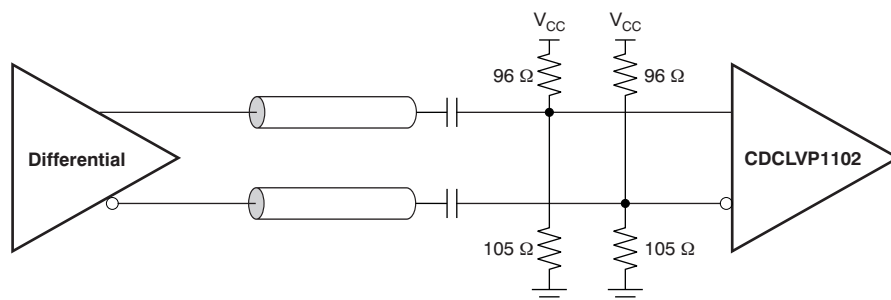
**Device Functional Modes (continued)**

**Figure 15. DC-Coupled LVDS Inputs to CDCLVP1102**

**Figure 16. DC-Coupled LVPECL Inputs to CDCLVP1102 ( $V_{CC} = 2.5\text{ V}$ )**

**Figure 17. DC-Coupled LVPECL Inputs to CDCLVP1102 ( $V_{CC} = 3.3\text{ V}$ )**

Figure 18 and Figure 19 show the technique of AC coupling differential inputs to the CDCLVP1102 for  $V_{CC} = 2.5\text{ V}$  and  $V_{CC} = 3.3\text{ V}$ , respectively. It is recommended to place all resistive components close to either the driver end or the receiver end. If the supply voltages of the driver and receiver are different, ac coupling is required.


**Figure 18. AC-Coupled Differential Inputs to CDCLVP1102 ( $V_{CC} = 2.5\text{ V}$ )**



Device Functional Modes (continued)

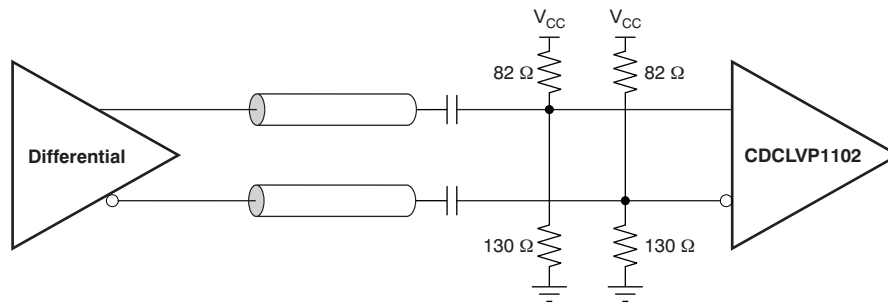


Figure 19. AC-Coupled Differential Inputs to CDCLVP1102 (V<sub>CC</sub> = 3.3 V)

## 9 Application and Implementation

### NOTE

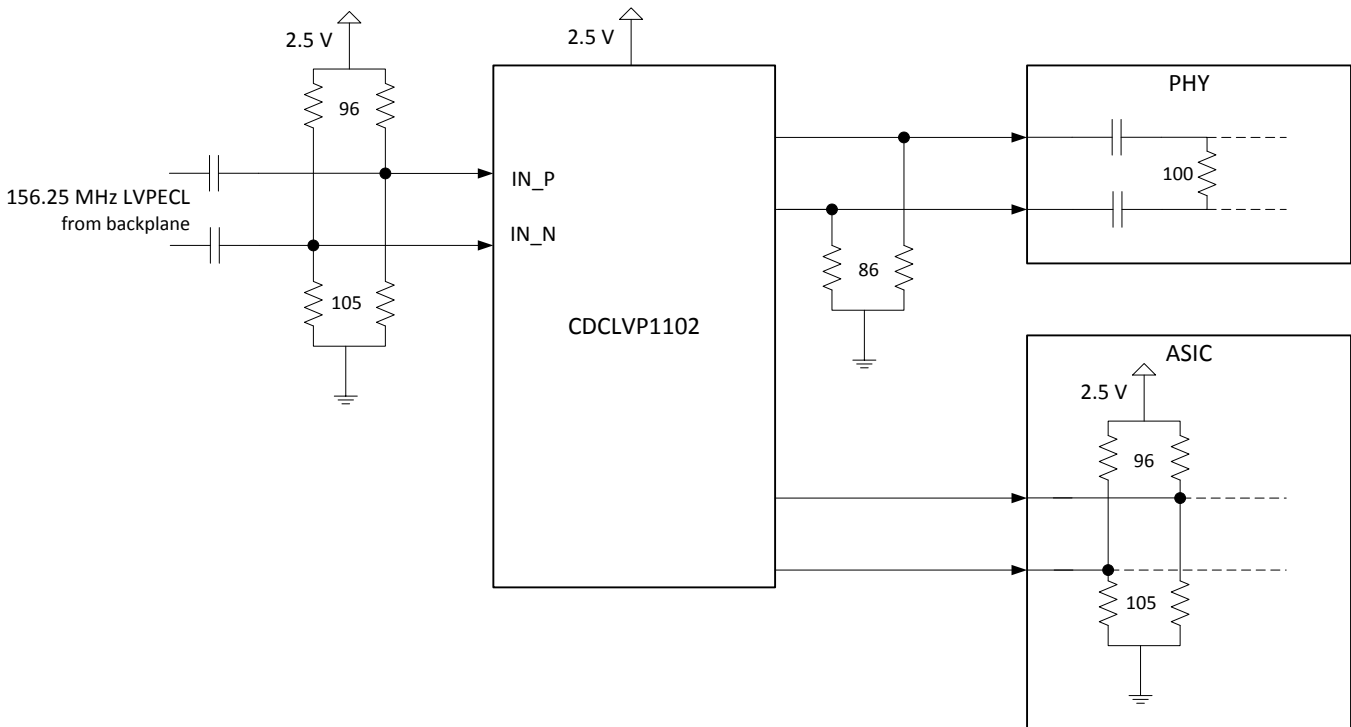
Information in the following applications sections is not part of the TI component specification, and TI does not warrant its accuracy or completeness. TI's customers are responsible for determining suitability of components for their purposes. Customers should validate and test their design implementation to confirm system functionality.

### 9.1 Application Information

The CDCLVP1102 is a low additive jitter LVPECL fanout buffer that can generate two copies of a LVPECL, LVDS, or LVC MOS input. The CDCLVP1102 can accept reference clock frequencies up to 2 GHz while providing low output skew.

### 9.2 Typical Application

#### 9.2.1 Fanout Buffer for Line Card Application



**Figure 20. CDCLVP1102 Typical Application**

##### 9.2.1.1 Design Requirements

The CDCLVP1102 shown in [Figure 20](#) is configured to receive a 156.25-MHz LVPECL clock from the backplane. Either signal can be then fanned out to desired devices, as shown. The configuration example is driving 2 LVPECL receivers in a line card application with the following properties:

- The PHY device has internal AC coupling and appropriate termination and biasing. The CDCLVP1102 will need to be provided with 86-Ω emitter resistors near the driver for proper operation.
- The ASIC is capable of DC coupling with a 2.5-V LVPECL driver such as the CDCLVP1102. This ASIC features internal termination so no additional components are needed.

## Typical Application (continued)

### 9.2.1.2 Detailed Design Procedure

Refer to [Input Termination](#) for proper input terminations, dependent on single ended or differential inputs.

Refer to [LVPECL Output Termination](#) for output termination schemes depending on the receiver application. Unused outputs can be left floating.

In this example, the PHY, ASIC, and FPGA/CPU require different schemes. Power supply filtering and bypassing is critical for low noise applications.

See [Power Supply Recommendations](#) for recommended filtering techniques. A reference layout is provided on the CDCLVP1102 Evaluation Module at [SCAU035](#).

### 9.2.1.3 Application Curves

The CDCLVP1102's low additive noise can be shown in this line card application. The low noise 156.25 MHz XO with 32-fs RMS jitter drives the CDCLVP1102, resulting in 57-fs RMS when integrated from 10 kHz to 20 MHz. The resultant additive jitter is a low 47-fs RMS for this configuration.

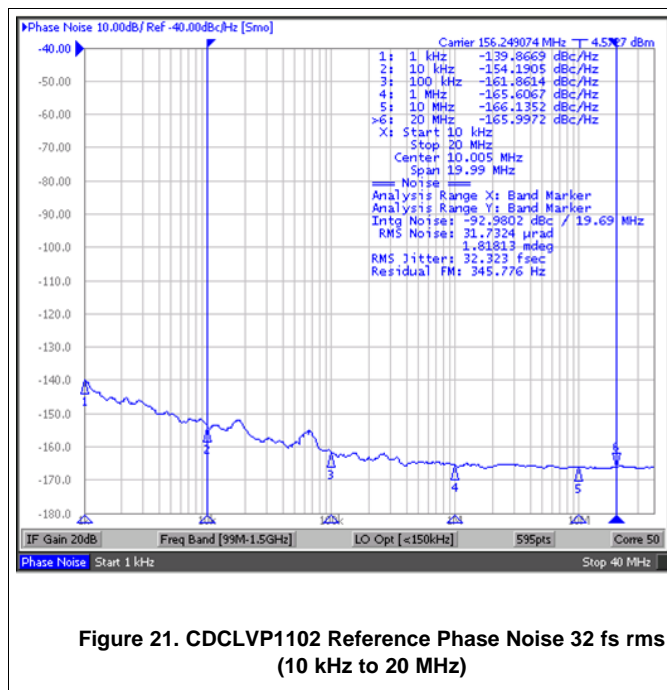


Figure 21. CDCLVP1102 Reference Phase Noise 32 fs rms (10 kHz to 20 MHz)

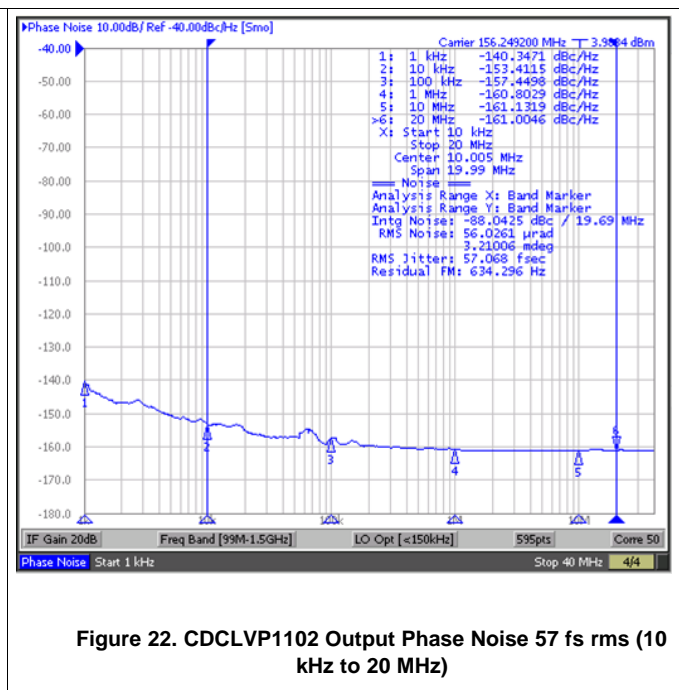


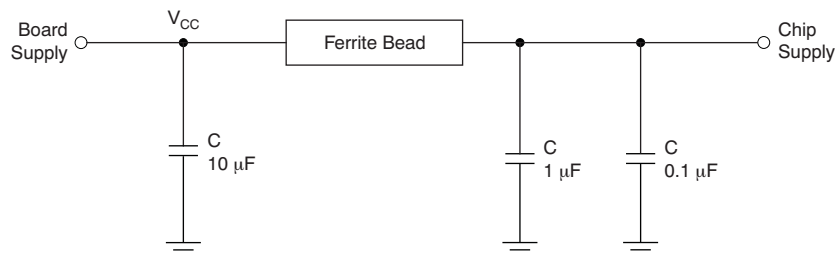
Figure 22. CDCLVP1102 Output Phase Noise 57 fs rms (10 kHz to 20 MHz)

## 10 Power Supply Recommendations

High-performance clock buffers are sensitive to noise on the power supply, which can dramatically increase the additive jitter of the buffer. Thus, it is essential to reduce noise from the system power supply, especially when jitter/phase noise is very critical to applications.

Filter capacitors are used to eliminate the low-frequency noise from the power supply, where the bypass capacitors provide the very low impedance path for high-frequency noise and guard the power-supply system against the induced fluctuations. These bypass capacitors also provide instantaneous current surges as required by the device and should have low equivalent series resistance (ESR). To properly use the bypass capacitors, they must be placed very close to the power-supply pins and laid out with short loops to minimize inductance. It is recommended to add as many high-frequency (for example, 0.1- $\mu\text{F}$ ) bypass capacitors as there are supply pins in the package. It is recommended, but not required, to insert a ferrite bead between the board power supply and the chip power supply that isolates the high-frequency switching noises generated by the clock driver; these beads prevent the switching noise from leaking into the board supply. Choose an appropriate ferrite bead with very low dc resistance because it is imperative to provide adequate isolation between the board supply and the chip supply, as well as to maintain a voltage at the supply pins that is greater than the minimum voltage required for proper operation.

Figure 23 illustrates this recommended power-supply decoupling method.



**Figure 23. Power-Supply Decoupling**

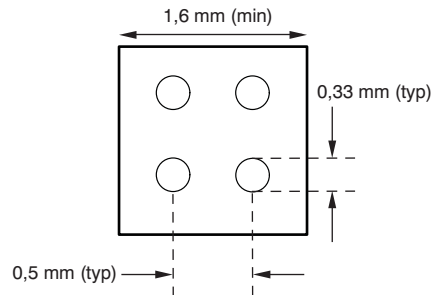
## 11 Layout

### 11.1 Layout Guidelines

Power consumption of the CDCLVP1102 can be high enough to require attention to thermal management. For reliability and performance reasons, the die temperature should be limited to a maximum of 125°C. That is, as an estimate, ambient temperature ( $T_A$ ) plus device power consumption times  $R_{\theta JA}$  should not exceed 125°C.

The device package has an exposed pad that provides the primary heat removal path to the printed circuit board (PCB). To maximize the heat dissipation from the package, a thermal landing pattern including multiple vias to a ground plane must be incorporated into the PCB within the footprint of the package. The exposed pad must be soldered down to ensure adequate heat conduction out of the package. [Figure 24](#) shows a recommended land and via pattern.

### 11.2 Layout Example



**Figure 24. Recommended PCB Layout**

### 11.3 Thermal Considerations

The CDCLVP1102 supports high temperatures on the printed circuit board (PCB) measured at the thermal pad. The system designer needs to ensure that the maximum junction temperature is not exceeded.  $\Psi_{jb}$  can allow the system designer to measure the board temperature with a fine gauge thermocouple and back calculate the junction temperature using [Equation 1](#). Note that  $\Psi_{jb}$  is close to  $R_{\theta JB}$  as 75 to 95% of a device's heat is dissipated by the PCB. Further information can be found at [SPRA953](#) and [SLUA566](#).

$$T_{\text{junction}} = T_{\text{PCB}} + (\Psi_{jb} \times \text{Power}) \quad (1)$$

#### Example:

Calculation of the junction-lead temperature with a 4-layer JEDEC test board using four thermal vias:

$$T_{\text{PCB}} = 105 \text{ }^{\circ}\text{C}$$

$$\Psi_{jb} = 21.7 \text{ }^{\circ}\text{C/W}$$

$$\text{Power}_{\text{inclTerm}} = I_{\text{max}} \times V_{\text{max}} = 105 \text{ mA} \times 3.6 \text{ V} = 378 \text{ mW (max power consumption including termination resistors)}$$

$$\text{Power}_{\text{exclTerm}} = 302.5 \text{ mW (max power consumption excluding termination resistors, see [SLYT127](#) for further details)}$$

$$\Delta T_{\text{Junction}} = \Psi_{jb} \times \text{Power}_{\text{exclTerm}} = 21.7 \text{ }^{\circ}\text{C/W} \times 302.5 \text{ mW} = 6.56 \text{ }^{\circ}\text{C}$$

$$T_{\text{Junction}} = \Delta T_{\text{Junction}} + T_{\text{Chassis}} = 6.56 \text{ }^{\circ}\text{C} + 105 \text{ }^{\circ}\text{C} = 111.56 \text{ }^{\circ}\text{C (the maximum junction temperature of 125 }^{\circ}\text{C is not violated)}$$

## 12 Device and Documentation Support

### 12.1 Documentation Support

#### 12.1.1 Related Documentation

For additional information, see the following:

- [Using Thermal Calculation Tools for Analog Components \(SLUA566\)](#)
- [CDCLVP1102 Evaluation Module \(SCAU035\)](#)
- [Power Consumption of LVPECL and LVDS \(SLYT127\)](#)

### 12.2 Community Resources

The following links connect to TI community resources. Linked contents are provided "AS IS" by the respective contributors. They do not constitute TI specifications and do not necessarily reflect TI's views; see TI's [Terms of Use](#).

**TI E2E™ Online Community** *TI's Engineer-to-Engineer (E2E) Community*. Created to foster collaboration among engineers. At [e2e.ti.com](http://e2e.ti.com), you can ask questions, share knowledge, explore ideas and help solve problems with fellow engineers.

**Design Support** *TI's Design Support* Quickly find helpful E2E forums along with design support tools and contact information for technical support.

### 12.3 Trademarks

E2E is a trademark of Texas Instruments.  
All other trademarks are the property of their respective owners.

### 12.4 Electrostatic Discharge Caution



These devices have limited built-in ESD protection. The leads should be shorted together or the device placed in conductive foam during storage or handling to prevent electrostatic damage to the MOS gates.

### 12.5 Glossary

[SLYZ022](#) — *TI Glossary*.

This glossary lists and explains terms, acronyms, and definitions.

## 13 Mechanical, Packaging, and Orderable Information

The following pages include mechanical, packaging, and orderable information. This information is the most current data available for the designated devices. This data is subject to change without notice and revision of this document. For browser-based versions of this data sheet, refer to the left-hand navigation.

**PACKAGING INFORMATION**

Orderable Device	Status (1)	Package Type	Package Drawing	Pins	Package Qty	Eco Plan (2)	Lead finish/ Ball material (6)	MSL Peak Temp (3)	Op Temp (°C)	Device Marking (4/5)	Samples
CDCLVP1102RGTR	ACTIVE	VQFN	RGT	16	3000	RoHS & Green	NIPDAU	Level-2-260C-1 YEAR	-40 to 85	1102	<b>Samples</b>
CDCLVP1102RGTT	ACTIVE	VQFN	RGT	16	250	RoHS & Green	NIPDAU	Level-2-260C-1 YEAR	-40 to 85	1102	<b>Samples</b>

(1) The marketing status values are defined as follows:

**ACTIVE:** Product device recommended for new designs.

**LIFEBUY:** TI has announced that the device will be discontinued, and a lifetime-buy period is in effect.

**NRND:** Not recommended for new designs. Device is in production to support existing customers, but TI does not recommend using this part in a new design.

**PREVIEW:** Device has been announced but is not in production. Samples may or may not be available.

**OBsolete:** TI has discontinued the production of the device.

(2) **RoHS:** TI defines "RoHS" to mean semiconductor products that are compliant with the current EU RoHS requirements for all 10 RoHS substances, including the requirement that RoHS substance do not exceed 0.1% by weight in homogeneous materials. Where designed to be soldered at high temperatures, "RoHS" products are suitable for use in specified lead-free processes. TI may reference these types of products as "Pb-Free".

**RoHS Exempt:** TI defines "RoHS Exempt" to mean products that contain lead but are compliant with EU RoHS pursuant to a specific EU RoHS exemption.

**Green:** TI defines "Green" to mean the content of Chlorine (Cl) and Bromine (Br) based flame retardants meet JS709B low halogen requirements of <=1000ppm threshold. Antimony trioxide based flame retardants must also meet the <=1000ppm threshold requirement.

(3) MSL, Peak Temp. - The Moisture Sensitivity Level rating according to the JEDEC industry standard classifications, and peak solder temperature.

(4) There may be additional marking, which relates to the logo, the lot trace code information, or the environmental category on the device.

(5) Multiple Device Markings will be inside parentheses. Only one Device Marking contained in parentheses and separated by a "~" will appear on a device. If a line is indented then it is a continuation of the previous line and the two combined represent the entire Device Marking for that device.

(6) Lead finish/Ball material - Orderable Devices may have multiple material finish options. Finish options are separated by a vertical ruled line. Lead finish/Ball material values may wrap to two lines if the finish value exceeds the maximum column width.

**Important Information and Disclaimer:**The information provided on this page represents TI's knowledge and belief as of the date that it is provided. TI bases its knowledge and belief on information provided by third parties, and makes no representation or warranty as to the accuracy of such information. Efforts are underway to better integrate information from third parties. TI has taken and continues to take reasonable steps to provide representative and accurate information but may not have conducted destructive testing or chemical analysis on incoming materials and chemicals. TI and TI suppliers consider certain information to be proprietary, and thus CAS numbers and other limited information may not be available for release.

In no event shall TI's liability arising out of such information exceed the total purchase price of the TI part(s) at issue in this document sold by TI to Customer on an annual basis.





**TAPE AND REEL INFORMATION**

**QUADRANT ASSIGNMENTS FOR PIN 1 ORIENTATION IN TAPE**


\*All dimensions are nominal

Device	Package Type	Package Drawing	Pins	SPQ	Reel Diameter (mm)	Reel Width W1 (mm)	A0 (mm)	B0 (mm)	K0 (mm)	P1 (mm)	W (mm)	Pin1 Quadrant
CDCLVP1102RGTR	VQFN	RGT	16	3000	330.0	12.4	3.3	3.3	1.1	8.0	12.0	Q2

**TAPE AND REEL BOX DIMENSIONS**


\*All dimensions are nominal

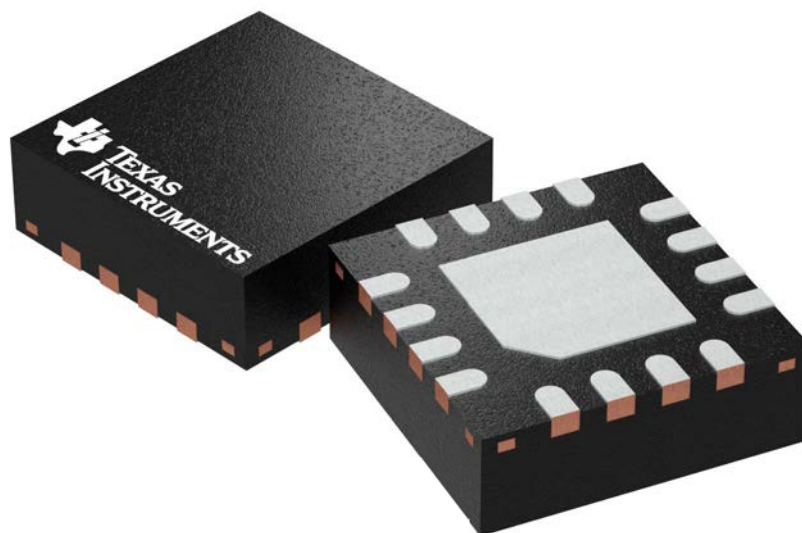
Device	Package Type	Package Drawing	Pins	SPQ	Length (mm)	Width (mm)	Height (mm)
CDCLVP1102RGTR	VQFN	RGT	16	3000	350.0	350.0	43.0

**RGT 16**

**GENERIC PACKAGE VIEW**

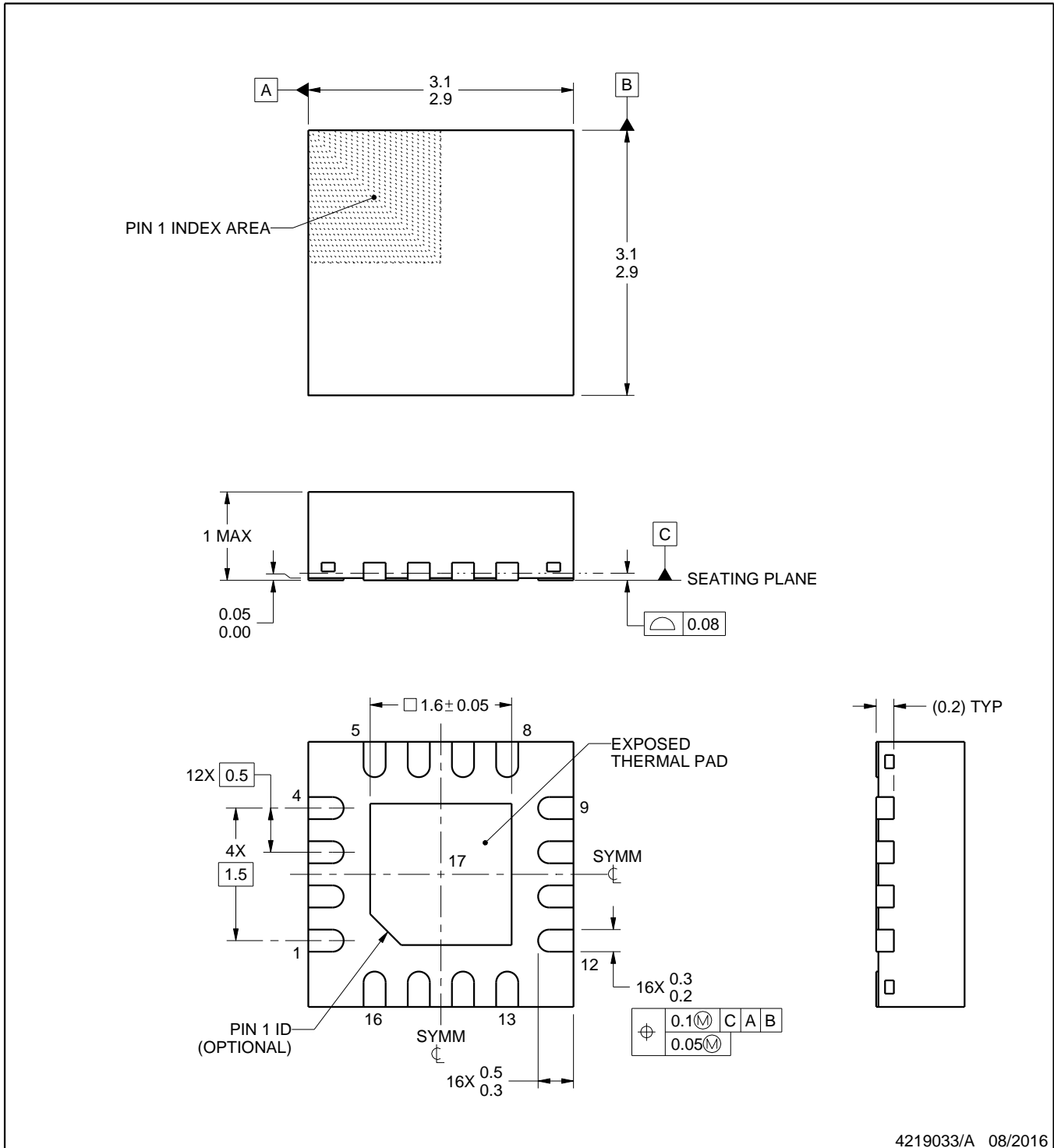
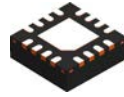
**VQFN - 1 mm max height**

PLASTIC QUAD FLATPACK - NO LEAD



Images above are just a representation of the package family, actual package may vary.  
Refer to the product data sheet for package details.

4203495/1



4219033/A 08/2016

NOTES:

1. All linear dimensions are in millimeters. Any dimensions in parenthesis are for reference only. Dimensioning and tolerancing per ASME Y14.5M.
2. This drawing is subject to change without notice.
3. The package thermal pad must be soldered to the printed circuit board for thermal and mechanical performance.

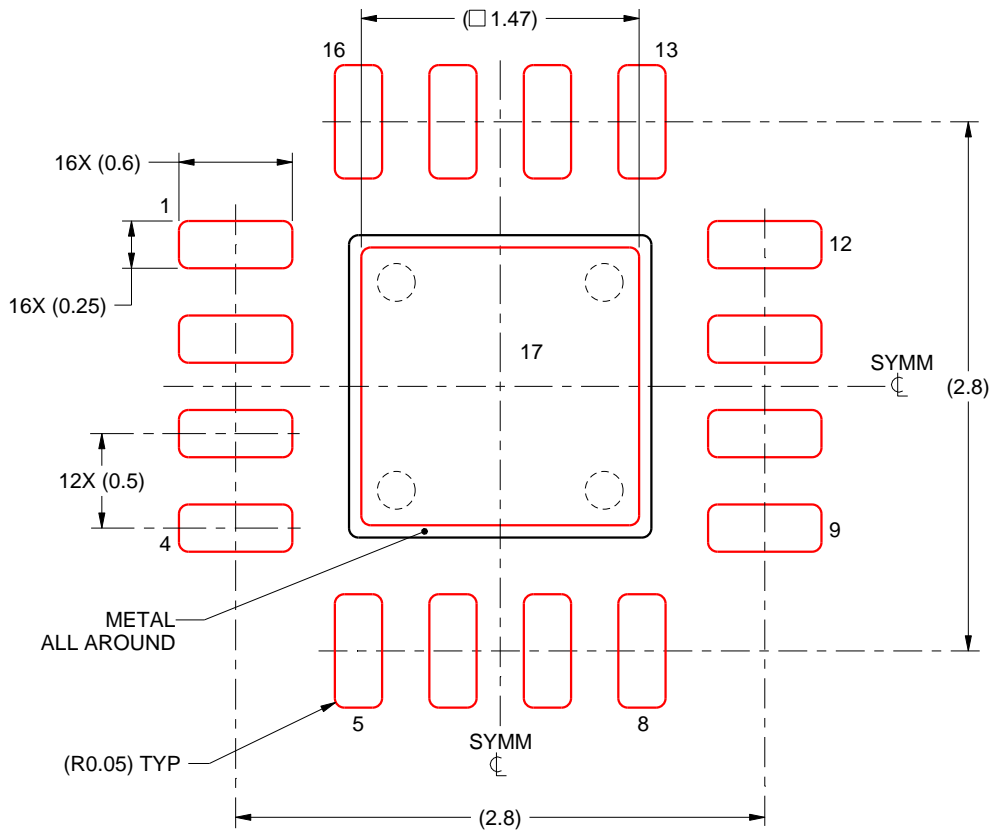


# EXAMPLE STENCIL DESIGN

RGT0016B

VQFN - 1 mm max height

PLASTIC QUAD FLATPACK - NO LEAD



**SOLDER PASTE EXAMPLE**  
BASED ON 0.125 mm THICK STENCIL

EXPOSED PAD 17:  
84% PRINTED SOLDER COVERAGE BY AREA UNDER PACKAGE  
SCALE:25X

4219033/A 08/2016

NOTES: (continued)

6. Laser cutting apertures with trapezoidal walls and rounded corners may offer better paste release. IPC-7525 may have alternate design recommendations.

## IMPORTANT NOTICE AND DISCLAIMER

TI PROVIDES TECHNICAL AND RELIABILITY DATA (INCLUDING DATASHEETS), DESIGN RESOURCES (INCLUDING REFERENCE DESIGNS), APPLICATION OR OTHER DESIGN ADVICE, WEB TOOLS, SAFETY INFORMATION, AND OTHER RESOURCES "AS IS" AND WITH ALL FAULTS, AND DISCLAIMS ALL WARRANTIES, EXPRESS AND IMPLIED, INCLUDING WITHOUT LIMITATION ANY IMPLIED WARRANTIES OF MERCHANTABILITY, FITNESS FOR A PARTICULAR PURPOSE OR NON-INFRINGEMENT OF THIRD PARTY INTELLECTUAL PROPERTY RIGHTS.

These resources are intended for skilled developers designing with TI products. You are solely responsible for (1) selecting the appropriate TI products for your application, (2) designing, validating and testing your application, and (3) ensuring your application meets applicable standards, and any other safety, security, or other requirements. These resources are subject to change without notice. TI grants you permission to use these resources only for development of an application that uses the TI products described in the resource. Other reproduction and display of these resources is prohibited. No license is granted to any other TI intellectual property right or to any third party intellectual property right. TI disclaims responsibility for, and you will fully indemnify TI and its representatives against, any claims, damages, costs, losses, and liabilities arising out of your use of these resources.

TI's products are provided subject to TI's Terms of Sale (<https://www.ti.com/legal/termsofsale.html>) or other applicable terms available either on [ti.com](https://www.ti.com) or provided in conjunction with such TI products. TI's provision of these resources does not expand or otherwise alter TI's applicable warranties or warranty disclaimers for TI products.

Mailing Address: Texas Instruments, Post Office Box 655303, Dallas, Texas 75265  
Copyright © 2021, Texas Instruments Incorporated