

Keywords: rf ics, RF, integrated circuits, differential impedance, balanced, measurement, s parameters

APPLICATION NOTE 915

Measuring Differential Impedances with a Two-Port Network Analyzer

May 01, 2002

Abstract: Many RF ICs use differential inputs and outputs. This article describes how a two-port network analyzer is used to measure differential impedance. Gamma is calculated from the measured S-parameters. The transformation between series and parallel models is given.

Additional Information:

- [Wireless Product Line Page](#)
- [Applications Technical Support](#)

For noise suppression reasons it is very common in RF and microwave circuits to find differential input and output ports. Unfortunately, the impedance measurement of differential circuits is not straightforward with common RF test equipment.

The following measurement method will prevent the use of baluns and transformers, which introduce errors and will also provide a more accurate and repeatable measurement method of the differential impedance.

This example will use a mixer, which uses a single-ended input and a differential or balance output.



[Click here](#) for an overview of the wireless components used in a typical radio transceiver.

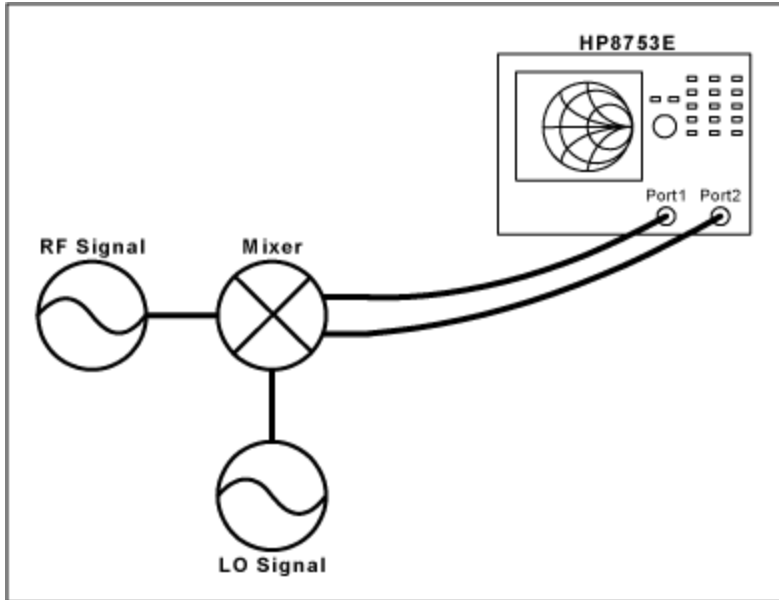


Figure 1.

Measurement Procedure:

1. The first step is to do a full two-port calibration on the network analyzer
2. Activate the mixer to its normal operating conditions
3. Measure all parameters S11, S12, S21, and S22
4. Finally, use the equation below to convert the differential measurement to a single-ended result

$$\Gamma_d = \frac{(2 \cdot S_{11} - S_{21})(1 - S_{22} - S_{12}) + (1 - S_{11} - S_{21})(1 + S_{22} - 2 \cdot S_{12})}{(2 - S_{21})(1 - S_{22} - S_{12}) + (1 - S_{11} - S_{21})(1 + S_{22})}$$

From this equation, calculate the real and imaginary components to arrive at a parallel equivalent circuit:

$$ZD = 50 \cdot (1 + \Gamma_d) / (1 - \Gamma_d) = R \pm jX$$

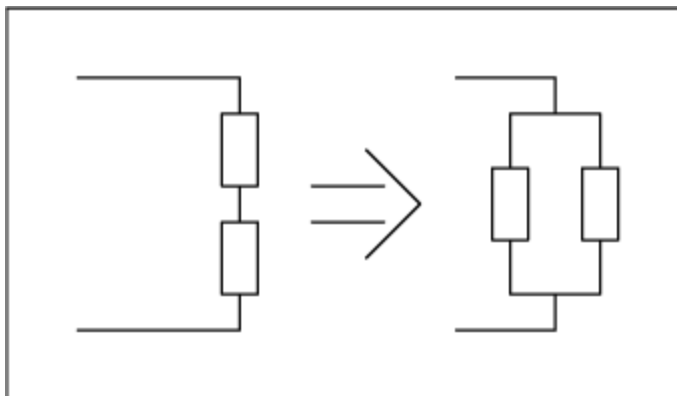


Figure 2. Parallel equivalent circuit of the series circuit.

$Q_s = X_s / R_s$	for Capacitor or Inductor	
$X_s = 1 / (\omega \cdot C_s)$	for Capacitor	$X_s = \omega \cdot L_s$ For Inductor
$R_{pe} = R_s(1 + Q_s^2)$	for Capacitor or Inductor	
$X_{pe} = X_s[(Q_s^2 + 1) / Q_s^2]$	for Capacitor or Inductor	
$C_{pe} = C_s[Q_s^2 / (Q_s^2 + 1)]$	for Capacitor	$L_{pe} = L_s[(Q_s^2 + 1) / Q_s^2]$ for Inductor

The fastest way to prove that this method actually works is by performing a simulation of a one-port differential circuit with two measurement ports single-ended and one measurement port differential. Calculate Γ_d for circuit #1 and compare to Γ of circuit #2. The result should be the same.

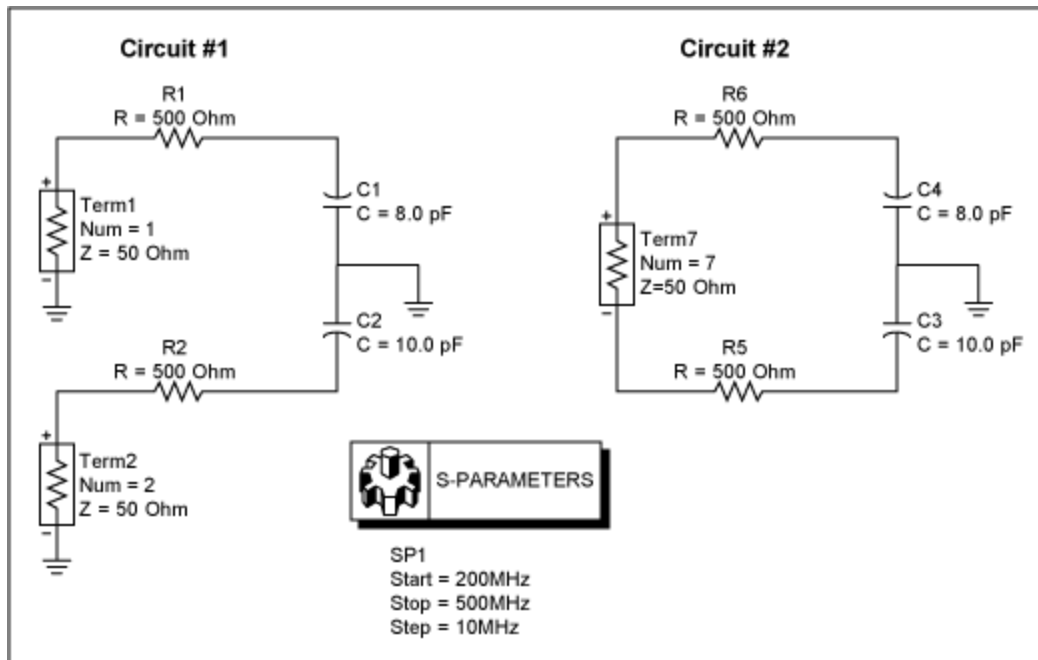


Figure 3.

The derivation of Γ_d can be found in the January 1999 edition of *RF Design Journal*.

Related Parts

MAX2306	CDMA IF VGAs and I/Q Demodulators with VCO and Synthesizer	Free Samples
MAX2308	CDMA IF VGAs and I/Q Demodulators with VCO and Synthesizer	Free Samples
MAX2309	CDMA IF VGAs and I/Q Demodulators with VCO and Synthesizer	Free Samples

More Information

For Technical Support: <http://www.maximintegrated.com/support>

For Samples: <http://www.maximintegrated.com/samples>

Other Questions and Comments: <http://www.maximintegrated.com/contact>

Application Note 915: <http://www.maximintegrated.com/an915>

APPLICATION NOTE 915, AN915, AN 915, APP915, Appnote915, Appnote 915

Copyright © by Maxim Integrated Products

Additional Legal Notices: <http://www.maximintegrated.com/legal>